

ASSEMBLY DRAWING

MODEL #:62PGPS

www.FurnitureLeisure.com

www.PoolFurnitureSupply.com

www.PicnicFurniture.com

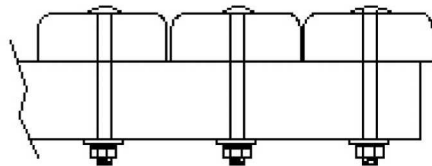
www.PicnicTableSupplier.com

www.ParkTables.com

www.UBrace.com

1.800.213.2401

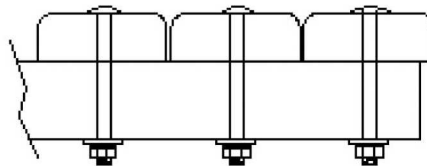
2" x 4" CCA TREATED
SYP WOOD PLANK



3/8" x 4 1/2" CARRIAGE BOLT

62PGPS

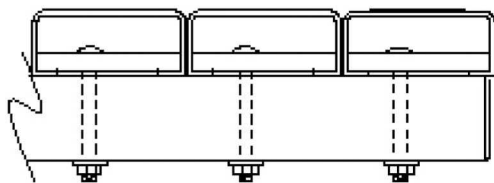
2" x 4" REDWOOD SLATS



3/8" x 4 1/2" CARRIAGE BOLT

62PGRRW

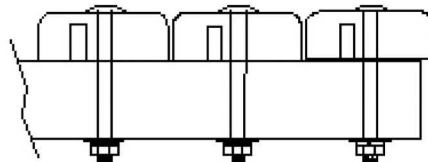
2" x 4" ANODIZED
ALUMINUM PLANK



5/16" x 3 1/2" CARRIAGE BOLT

62PGAS

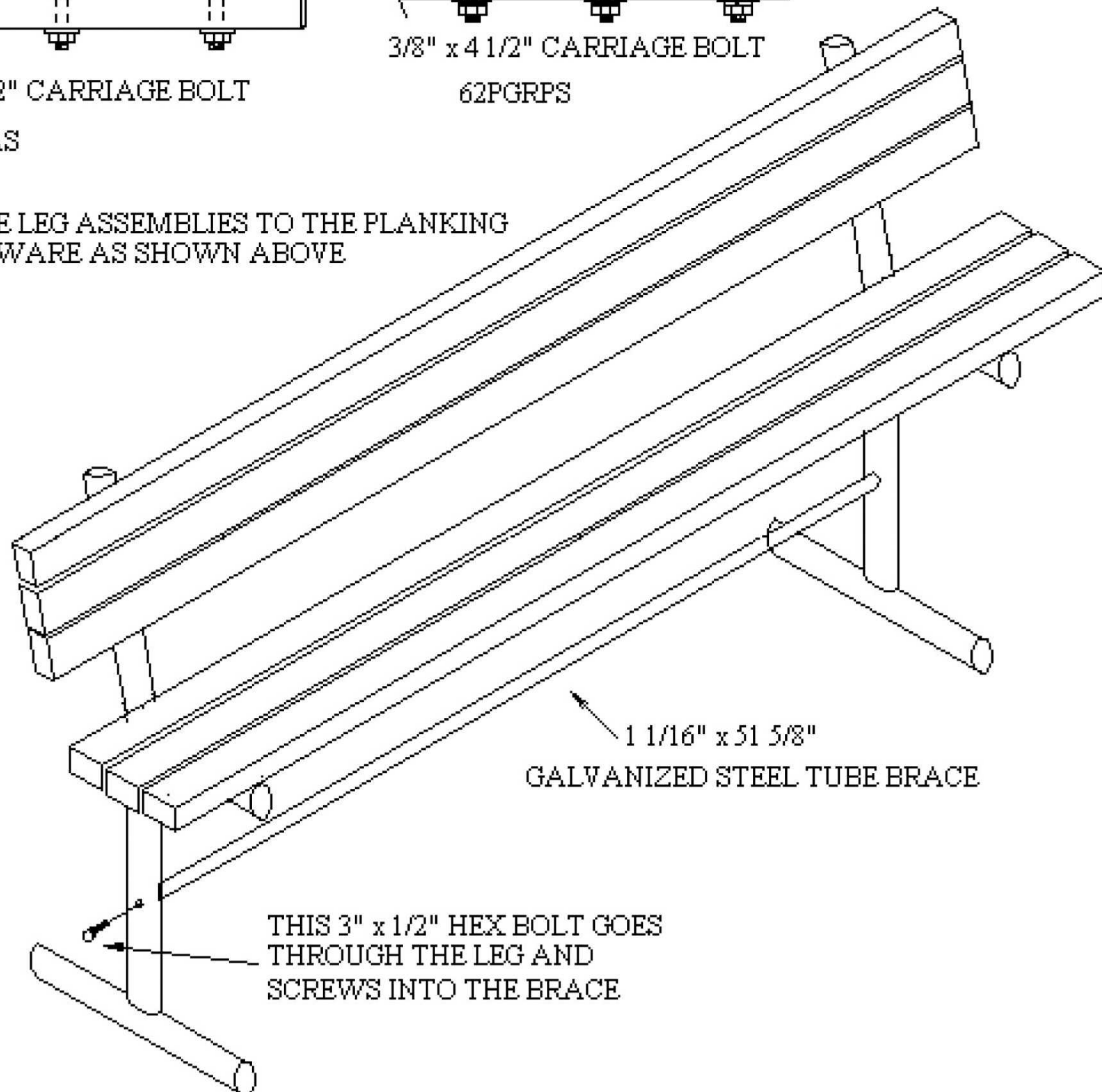
2" x 4" REINFORCED RECYCLED PLANK



3/8" x 4 1/2" CARRIAGE BOLT

62PGRPS

ATTACH THE LEG ASSEMBLIES TO THE PLANKING
WITH HARDWARE AS SHOWN ABOVE



1 1/16" x 51 5/8"
GALVANIZED STEEL TUBE BRACE

THIS 3" x 1/2" HEX BOLT GOES
THROUGH THE LEG AND
SCREWS INTO THE BRACE