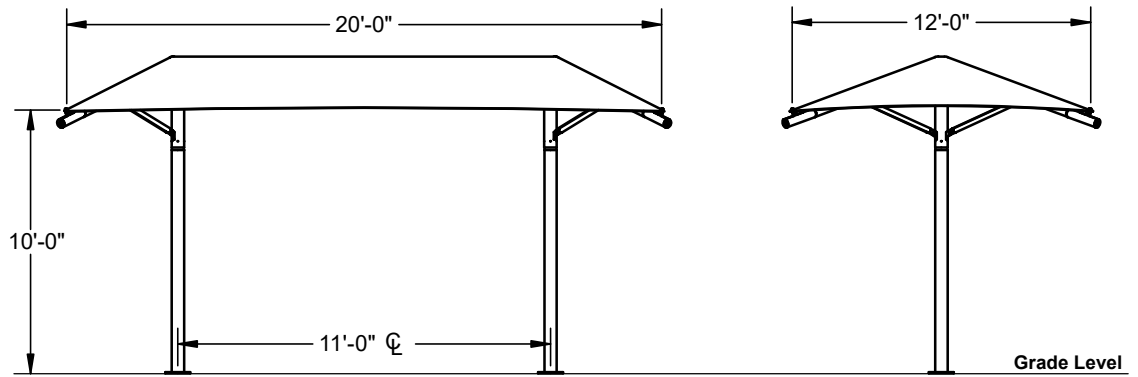


DUAL COLUMN UMBRELLA SHADE

**20' x 12' x 10'**

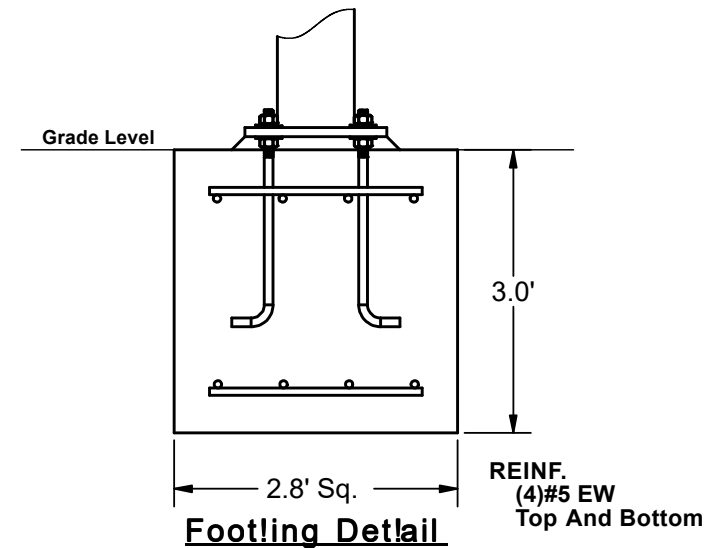
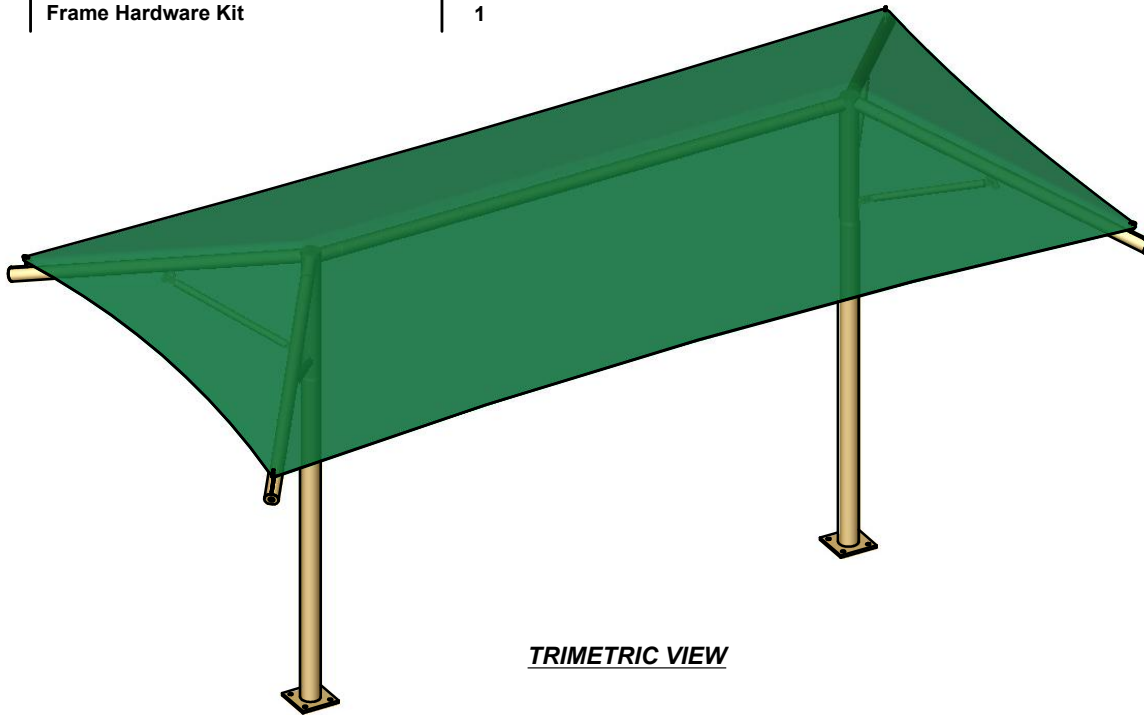
MODEL #:  
 RU201210SG (With Glide Elbows)  
 RU201210SN (Without Glide Elbows)



**FRONT VIEW**

**SIDE VIEW**

REF.#	PART DESCRIPTION	QTY.
1	Ø5.0" Surface Mount Column	2
2	Ø5.0" Crown - With Three Sockets	2
3	Ø2.88" Rafter - Swaged With Bracket	4
4	Ø2.88" Ridge Pole - Swaged	1
5	Strut - Rigid Fixed	4
6	Fabric Cover w/ Cable Insert	1
7	Frame Hardware Kit	1

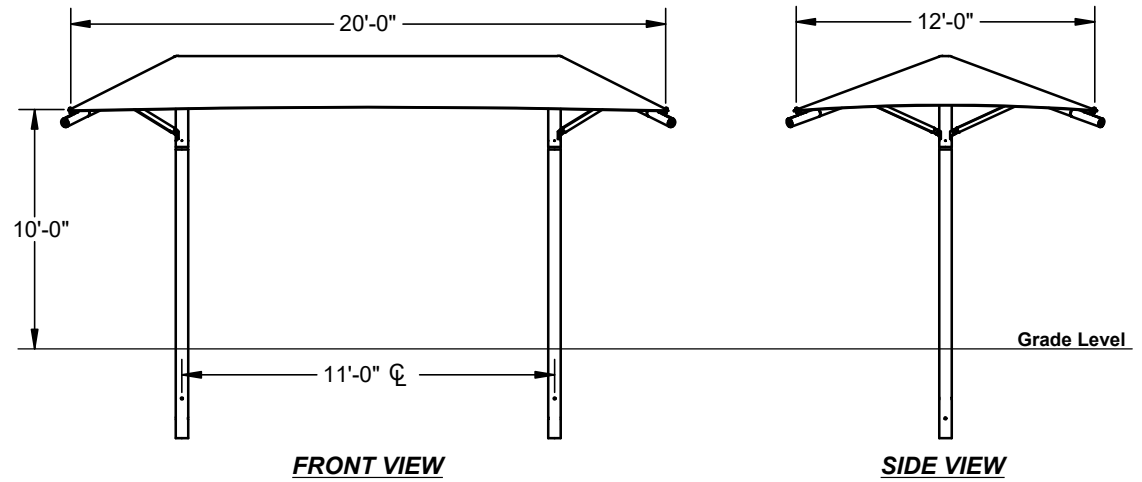


\*Footling design based on 1500 PSF soil bearing pressure.

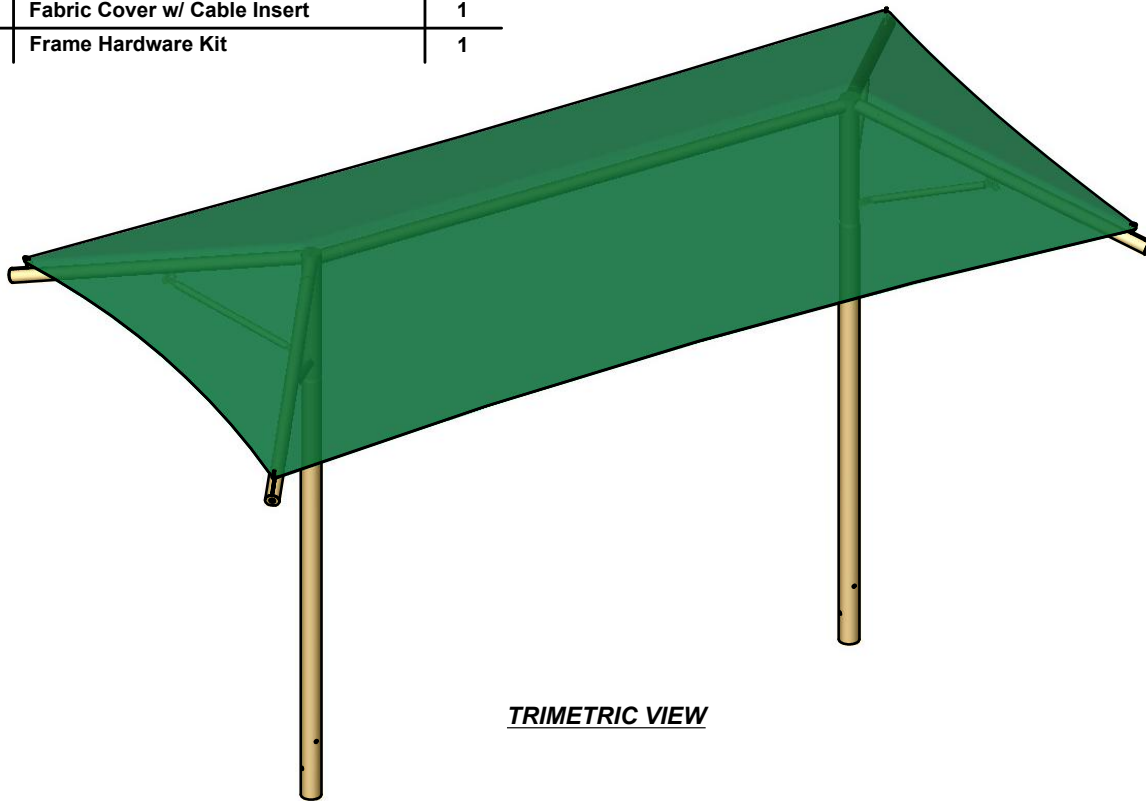
DUAL COLUMN UMBRELLA SHADE

**20' x 12' x 10'**

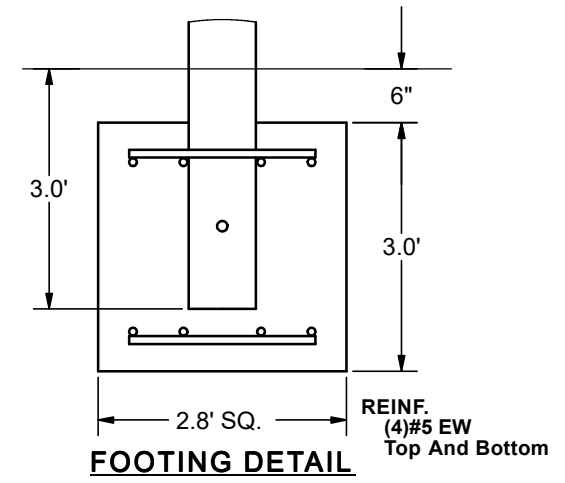
MODEL #:  
 RU201210IG (With Glide Elbows)  
 RU201210IN (Without Glide Elbows)



REF.#	PART DESCRIPTION	QTY.
1	Ø5.0" Embedded Column	2
2	Ø5.0" Crown - With Three Sockets	2
3	Ø2.88" Rafter - Swaged With Bracket	4
4	Ø2.88" Ridge Pole - Swaged	1
5	Strut - Rigid Fixed	4
6	Fabric Cover w/ Cable Insert	1
7	Frame Hardware Kit	1



**TRIMETRIC VIEW**



\*Footing design based on 1500 PSF soil bearing pressure.