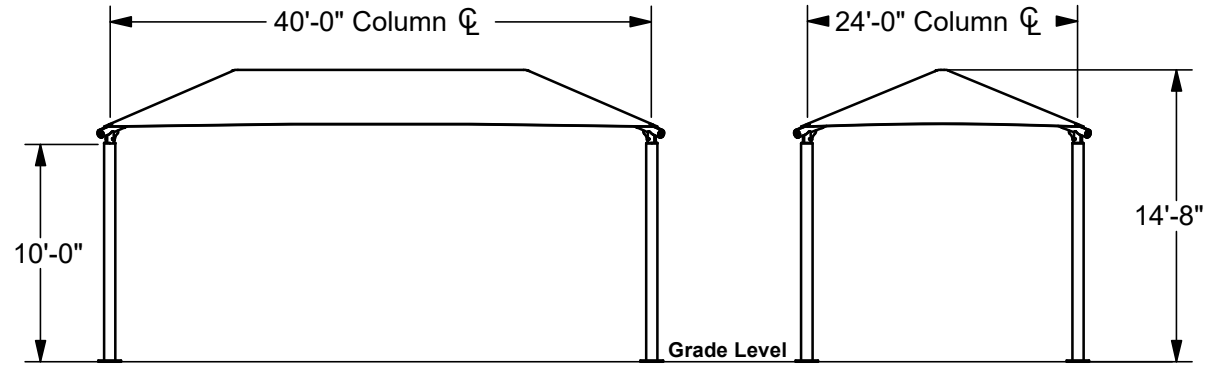


RECTANGLE HIP SHADE

**24' x 40' x 10'**

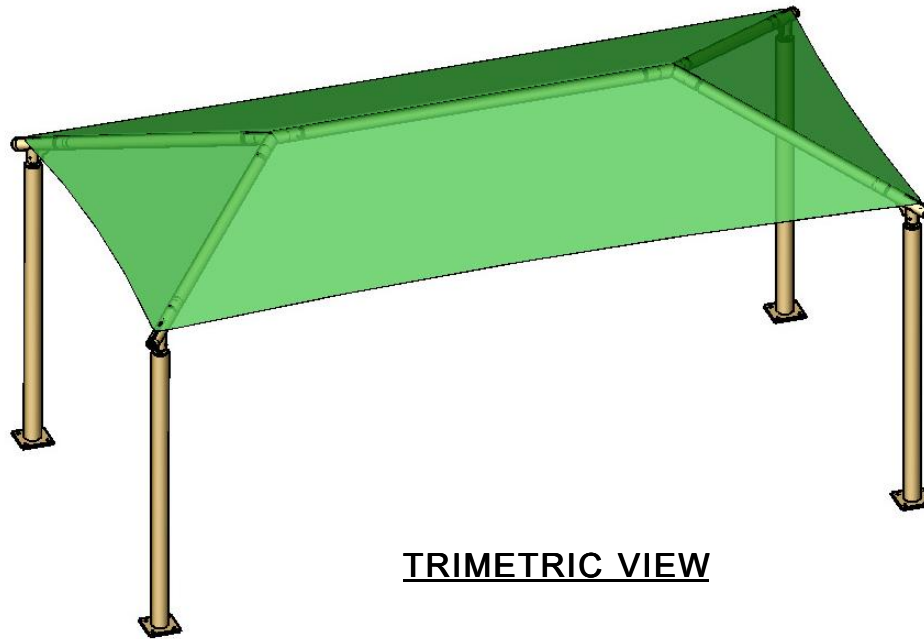
MODEL #:  
RD244010SG (With Glide Elbows)  
RD244010SN (Without Glide Elbows)



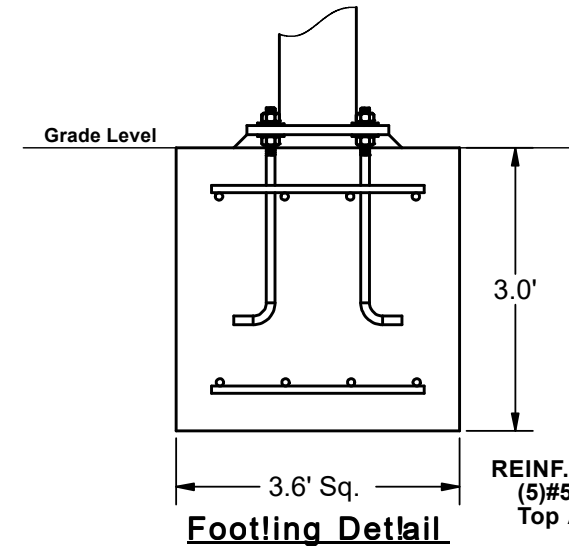
FRONT VIEW

SIDE VIEW

REF.#	PART DESCRIPTION	QTY.
1	Ø6.6" Capped Surface Mount Column	4
2	Angled Elbow	4
3	Ø3.5" Hip Rafter w/ Swaged End	4
4	Ø3.5" Ridge Pole w/ Swaged Ends	1
5	Rectangle "Y" Connection	2
6	Fabric Cover w/ Cable Insert	1
7	Frame Hardware Kit	1



TRIMETRIC VIEW



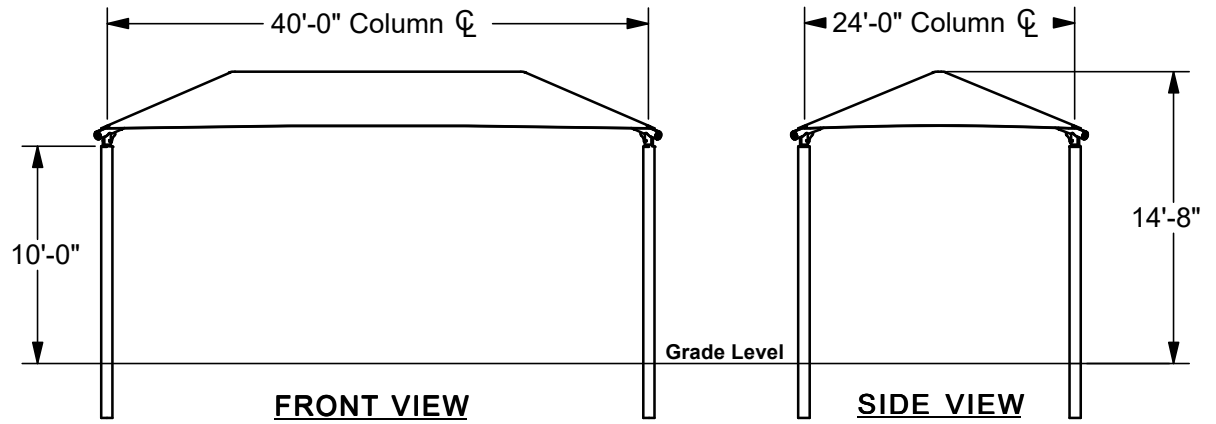
REINF.  
(5)#5 EW  
Top And Bottom

\*Footing design based on 1500 PSF soil bearing pressure.

RECTANGLE HIP SHADE

**24' x 40' x 10'**

MODEL #:  
RD244010IG (With Glide Elbows)  
RD244010IN (Without Glide Elbows)



REF.#	PART DESCRIPTION	QTY.
1	Ø6.6" Capped Embedded Column	4
2	Angled Elbow	4
3	Ø3.5" Hip Rafter w/ Swaged End	4
4	Ø3.5" Ridge Pole w/ Swaged Ends	1
5	Rectangle "Y" Connection	2
6	Fabric Cover w/ Cable Insert	1
7	Frame Hardware Kit	1

