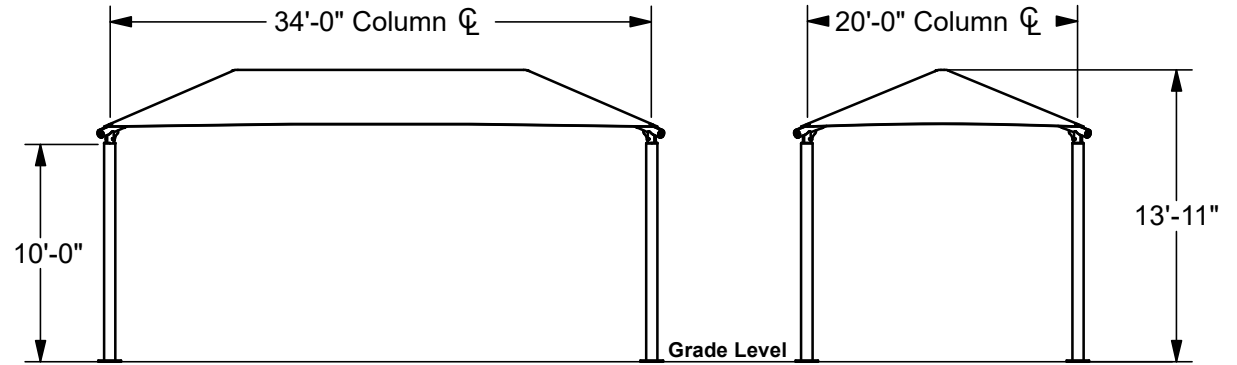


RECTANGLE HIP SHADE

**20' x 34' x 10'**

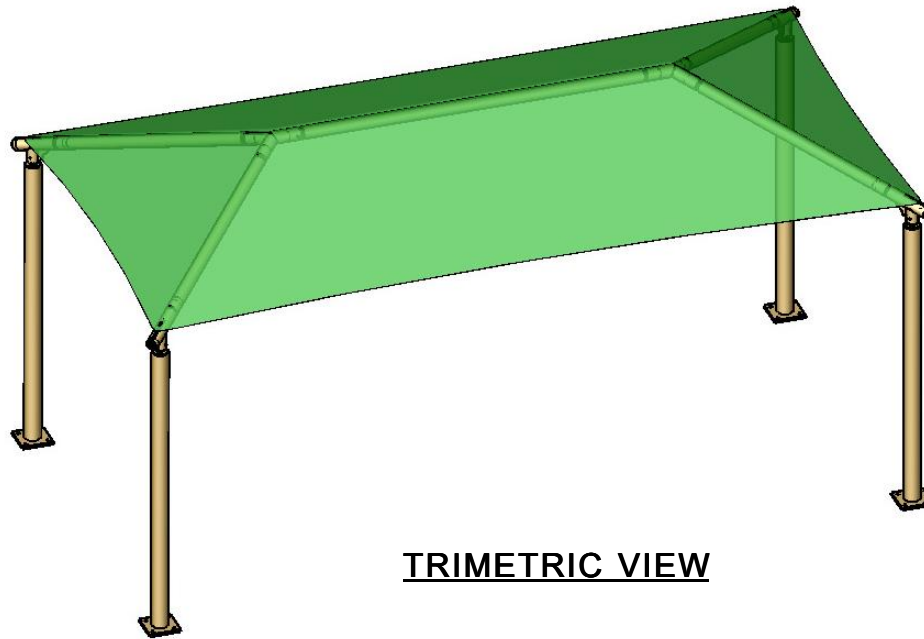
MODEL #:  
RD203410SG (With Glide Elbows)  
RD203410SN (Without Glide Elbows)



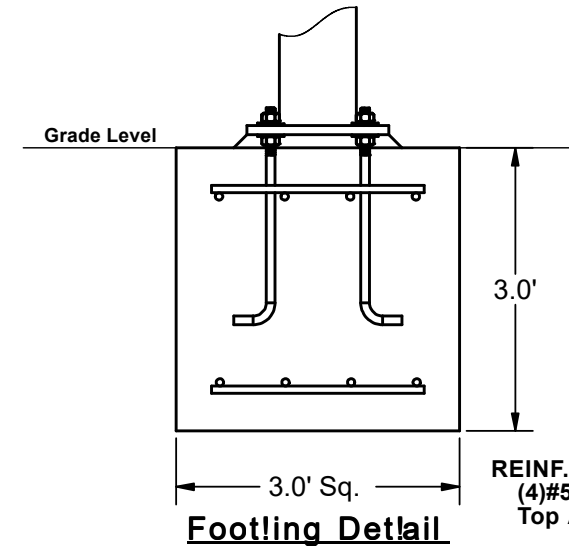
FRONT VIEW

SIDE VIEW

REF.#	PART DESCRIPTION	QTY.
1	Ø5.5" Capped Surface Mount Column	4
2	Angled Elbow	4
3	Ø3.5" Hip Rafter w/ Swaged End	4
4	Ø3.5" Ridge Pole w/ Swaged Ends	1
5	Rectangle "Y" Connection	2
6	Fabric Cover w/ Cable Insert	1
7	Frame Hardware Kit	1



TRIMETRIC VIEW



Footling Detail

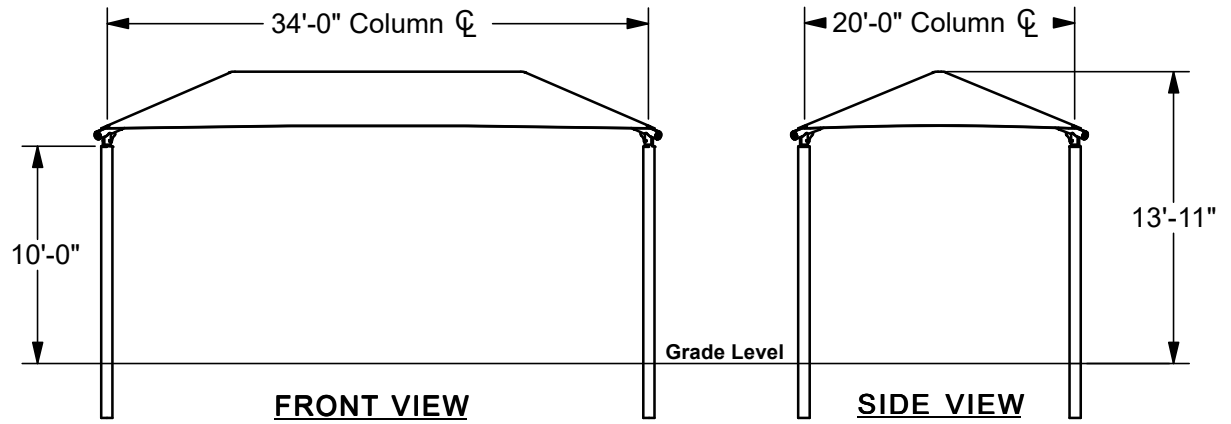
REINF.  
(4)#5 EW  
Top And Bottom

\*Footing design based on 1500 PSF soil bearing pressure.

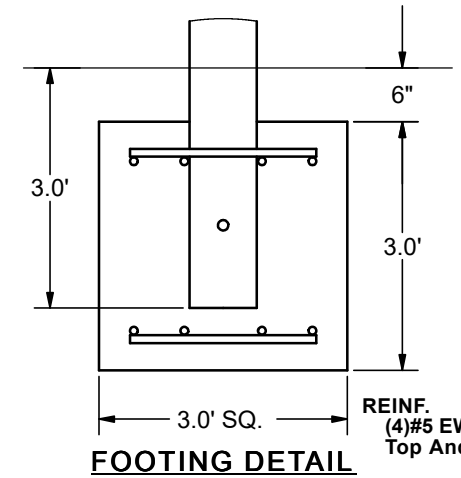
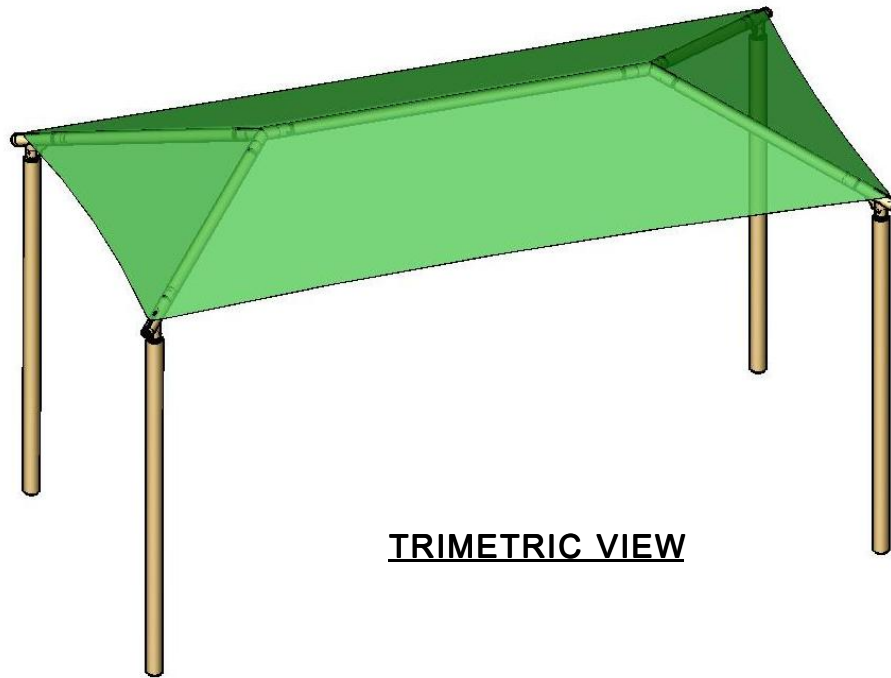
RECTANGLE HIP SHADE

**20' x 34' x 10'**

MODEL #:  
RD203410IG (With Glide Elbows)  
RD203410IN (Without Glide Elbows)



REF.#	PART DESCRIPTION	QTY.
1	Ø5.5" Capped Embedded Column	4
2	Angled Elbow	4
3	Ø3.5" Hip Rafter w/ Swaged End	4
4	Ø3.5" Ridge Pole w/ Swaged Ends	1
5	Rectangle "Y" Connection	2
6	Fabric Cover w/ Cable Insert	1
7	Frame Hardware Kit	1



\*Footing design based on 1500 PSF soil bearing pressure.