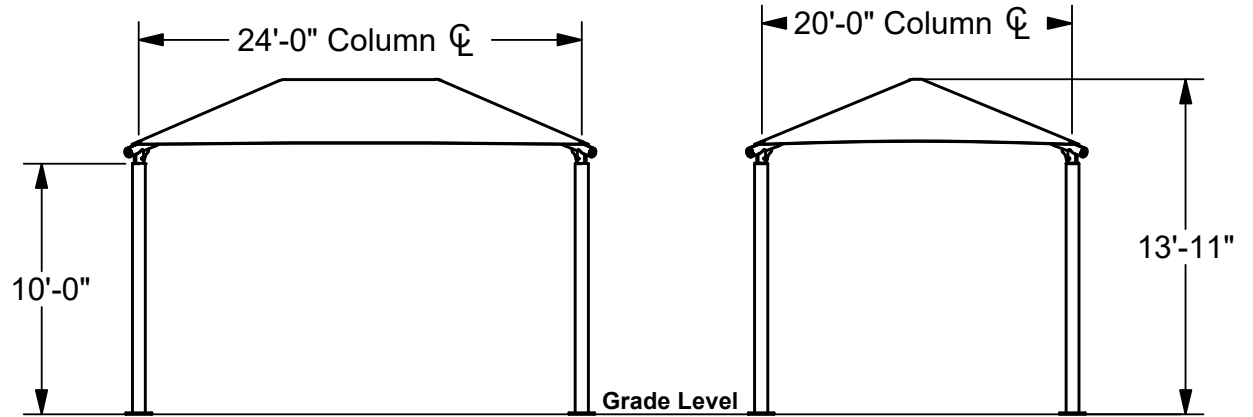


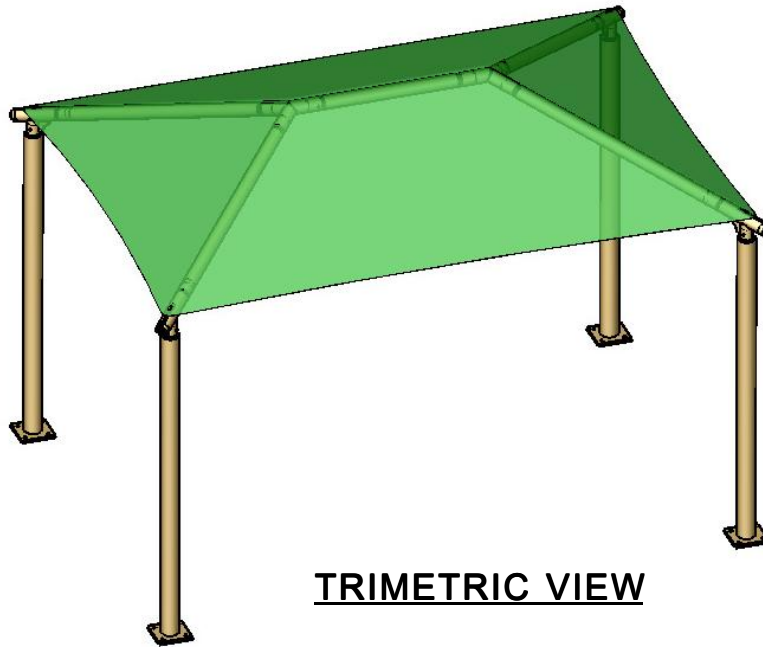
RECTANGLE HIP SHADE

20' x 24' x 10'

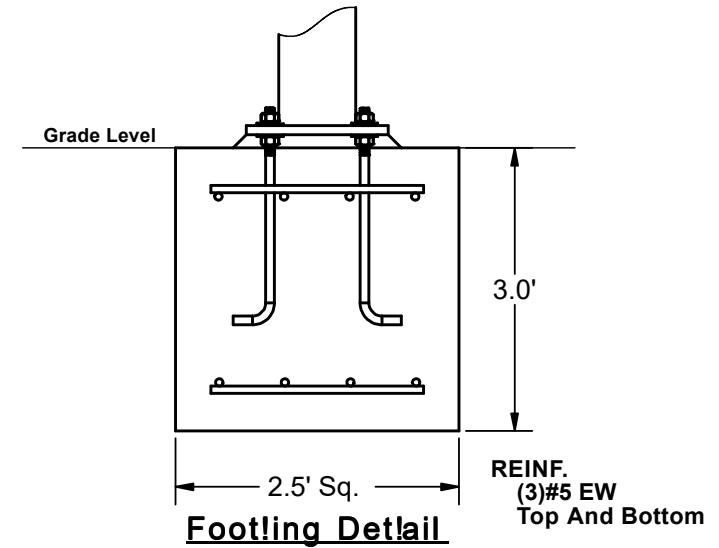
MODEL #:  
RD202410SG (With Glide Elbows)  
RD202410SN (Without Glide Elbows)



REF.#	PART DESCRIPTION	QTY.
1	Ø5.0" Capped Surface Mount Column	4
2	Angled Elbow	4
3	Ø2.88" Hip Rafter w/ Swaged End	4
4	Ø2.88" Ridge Pole w/ Swaged Ends	1
5	Rectangle "Y" Connection	2
6	Fabric Cover w/ Cable Insert	1
7	Frame Hardware Kit	1



TRIMETRIC VIEW



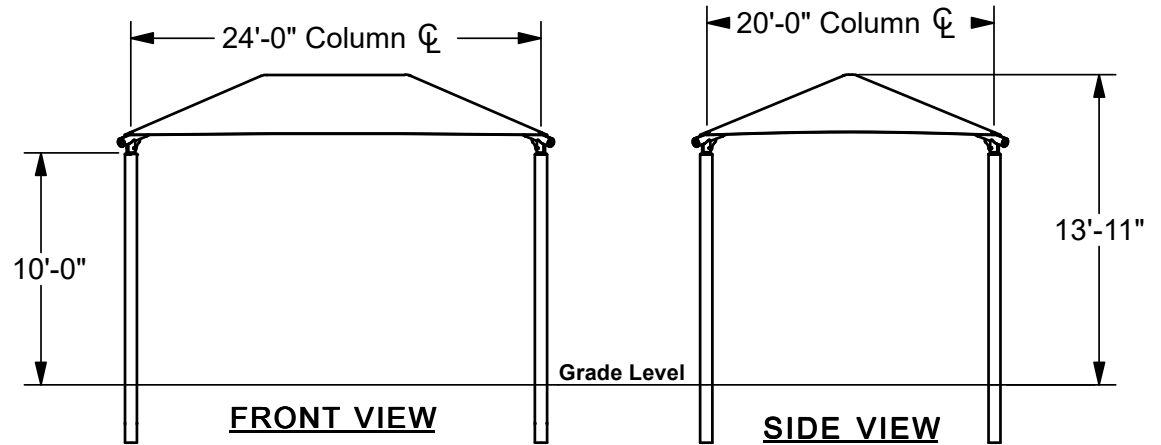
REINF.  
(3)#5 EW  
Top And Bottom

\*Footing design based on 1500 PSF soil bearing pressure.

RECTANGLE HIP SHADE

**20' x 24' x 10'**

MODEL #:  
RD202410IG (With Glide Elbows)  
RD202410IN (Without Glide Elbows)



REF.#	PART DESCRIPTION	QTY.
1	Ø5.0" Capped Embedded Column	4
2	Angled Elbow	4
3	Ø2.88" Hip Rafter w/ Swaged End	4
4	Ø2.88" Ridge Pole w/ Swaged Ends	1
5	Rectangle "Y" Connection	2
6	Fabric Cover w/ Cable Insert	1
7	Frame Hardware Kit	1

