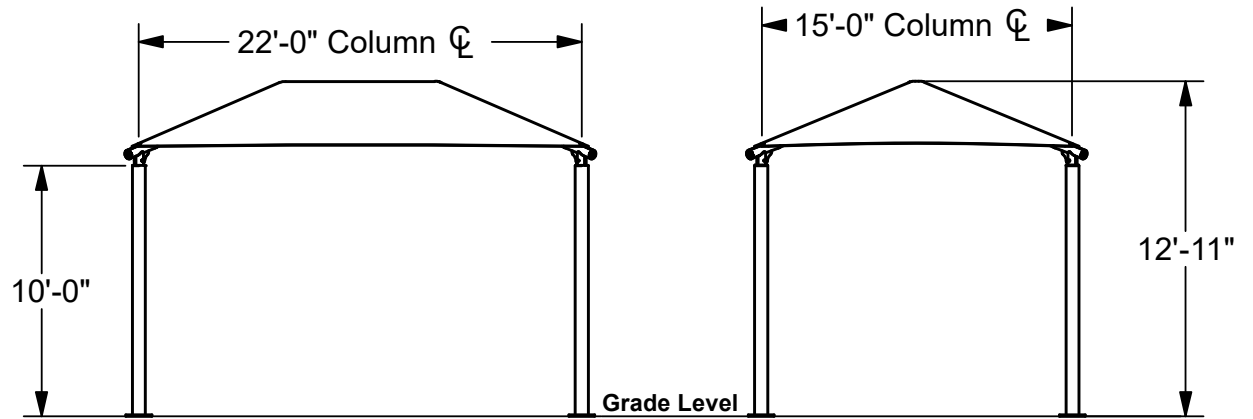


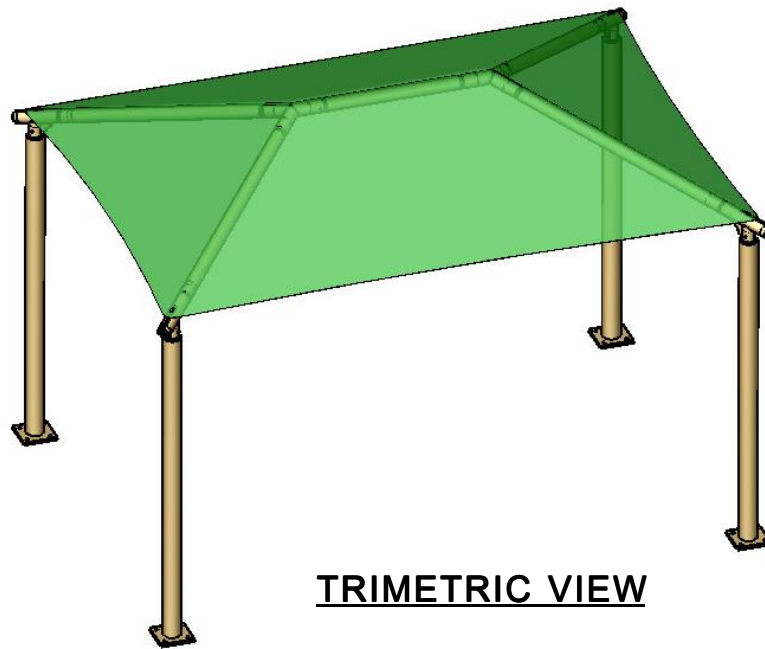
RECTANGLE HIP SHADE

15' x 22' x 10'

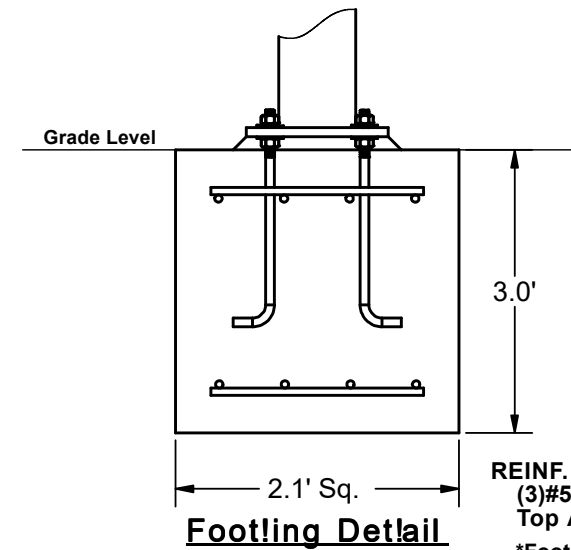
MODEL #:
RD152210SG (With Glide Elbows)
RD152210SN (Without Glide Elbows)



| REF.# | PART DESCRIPTION | QTY. |
|-------|-----------------------------------|------|
| 1 | Ø5.0" Capped Surface Mount Column | 4 |
| 2 | Angled Elbow | 4 |
| 3 | Ø2.5" Hip Rafter w/ Swaged End | 4 |
| 4 | Ø2.5" Ridge Pole w/ Swaged Ends | 1 |
| 5 | Rectangle "Y" Connection | 2 |
| 6 | Fabric Cover w/ Cable Insert | 1 |
| 7 | Frame Hardware Kit | 1 |



TRIMETRIC VIEW

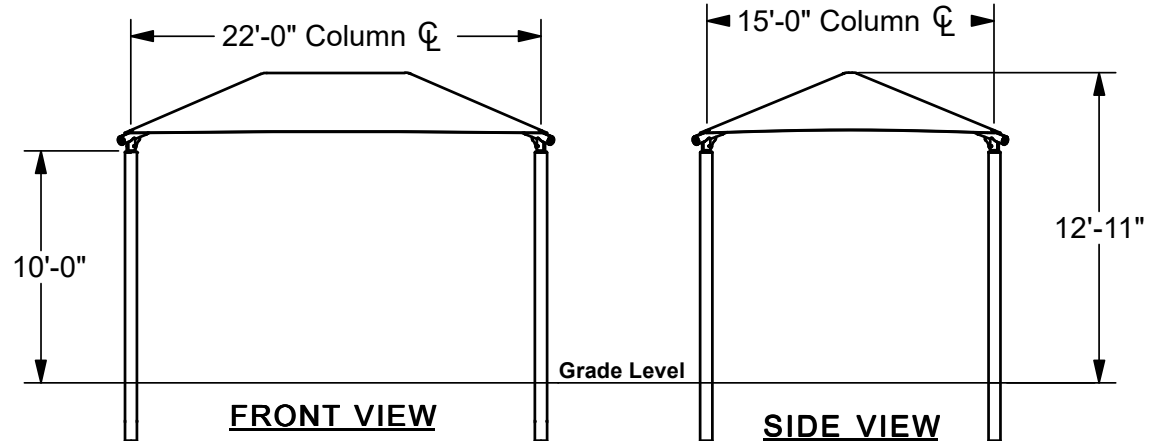


REINF.
(3)#5 EW
Top And Bottom
*Footing design based on 1500 PSF soil bearing pressure.

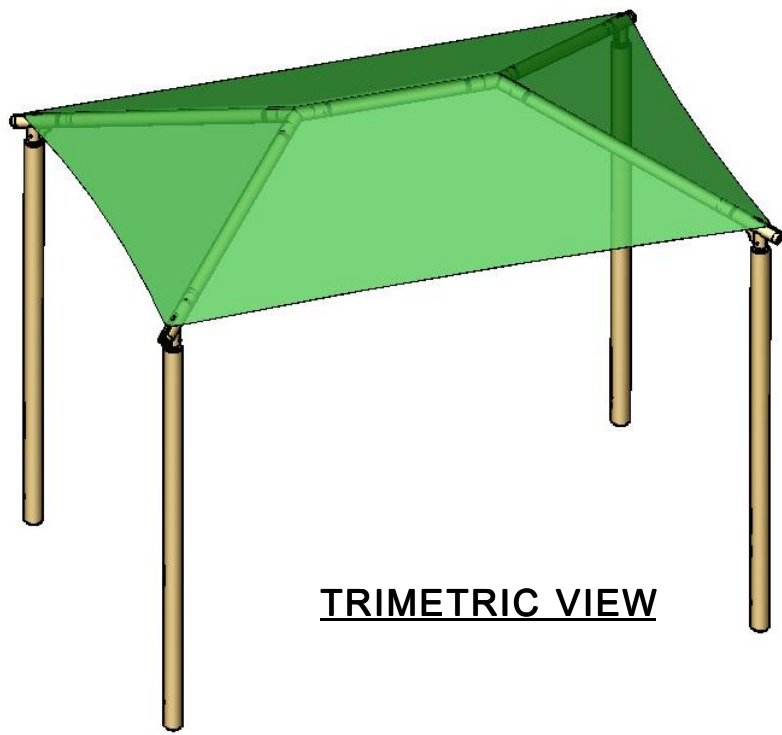
RECTANGLE HIP SHADE

15' x 22' x 10'

MODEL #:
RD152210IG (With Glide Elbows)
RD152210IN (Without Glide Elbows)



| REF.# | PART DESCRIPTION | QTY. |
|-------|---------------------------------|------|
| 1 | Ø5.0" Capped Embedded Column | 4 |
| 2 | Angled Elbow | 4 |
| 3 | Ø2.5" Hip Rafter w/ Swaged End | 4 |
| 4 | Ø2.5" Ridge Pole w/ Swaged Ends | 1 |
| 5 | Rectangle "Y" Connection | 2 |
| 6 | Fabric Cover w/ Cable Insert | 1 |
| 7 | Frame Hardware Kit | 1 |



TRIMETRIC VIEW

