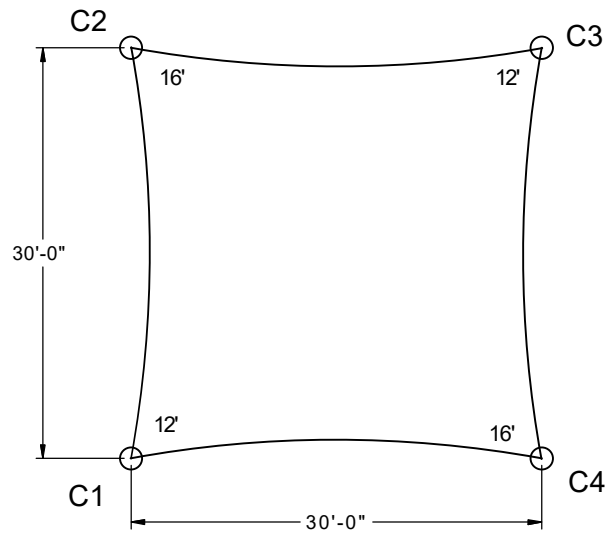
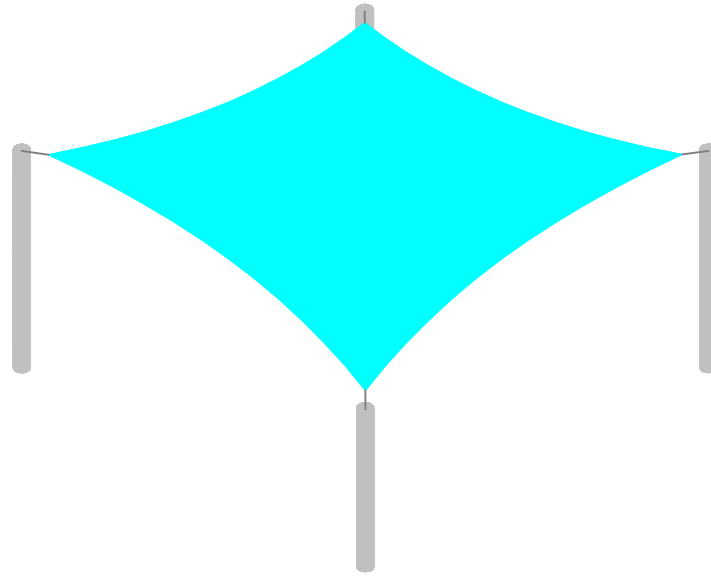
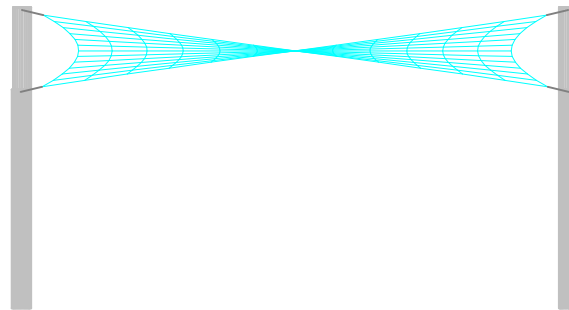


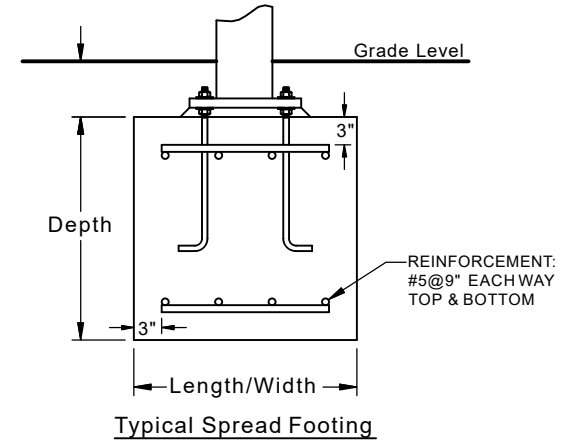
Fabric Connection



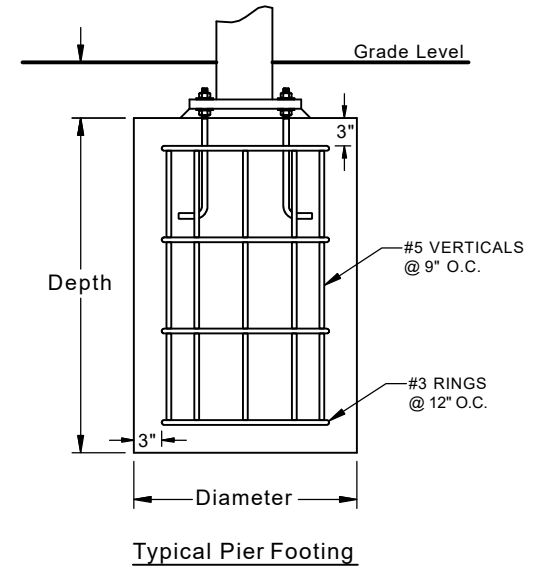
Plan View



Side View



Typical Spread Footing



Typical Pier Footing

Column & Footing Schedule

| Column ID | Column Size | Est. Footing Size | Est. Pier Footing Size |
|-----------|-------------|--------------------|------------------------|
| C1 | 10" Sch40 | 4.4' x 4.4' x 3.0' | 7.3' Deep x Ø3.0' |
| C2 | 10" Sch40 | 5.1' x 5.1' x 3.0' | 7.3' Deep x Ø3.0' |
| C3 | 10" Sch40 | 4.4' x 4.4' x 3.0' | 7.3' Deep x Ø3.0' |
| C4 | 10" Sch40 | 5.1' x 5.1' x 3.0' | 7.3' Deep x Ø3.0' |

SHADE:
30' X 30' 12' EH HYPERBOLIC SAIL

SCALE
Not to Scale

Furniture Leisure
Commercial Site Furnishings

FurnitureLeisure.com PoolFurnitureSupply.com
PicnicFurniture.com PicnicTableSupplier.com
ParkTables.com UBrace.com

1-800-213-2401 | sales@furnitureleisure.com