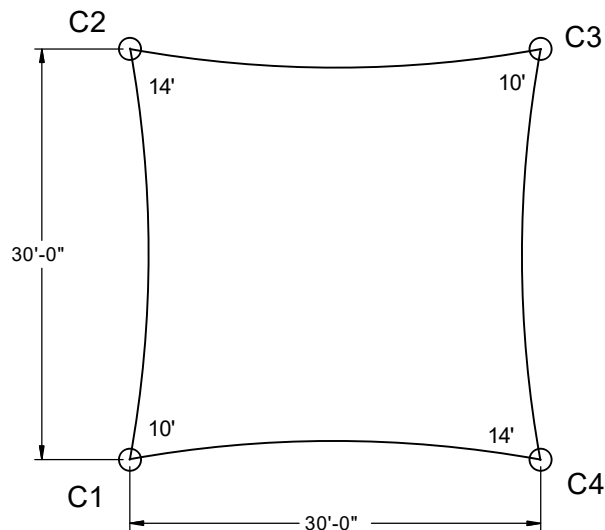
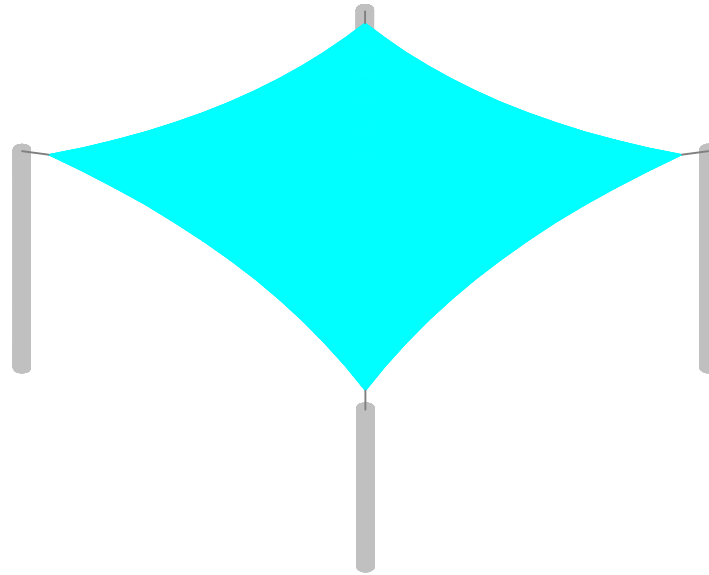
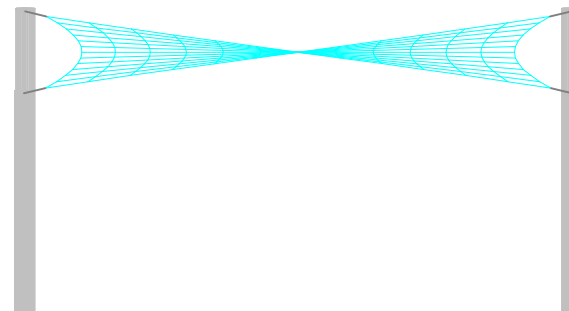


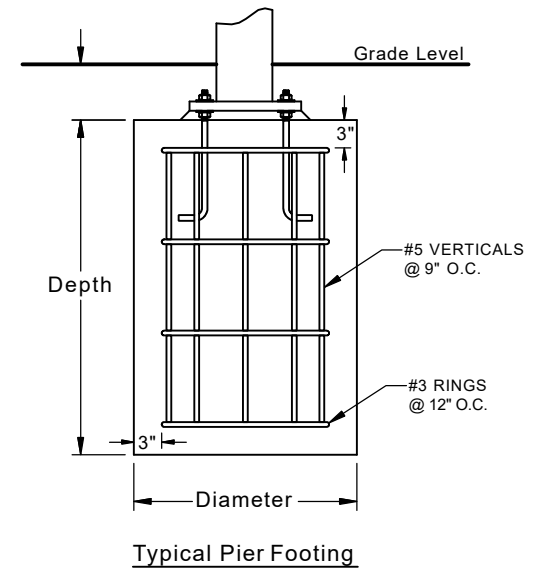
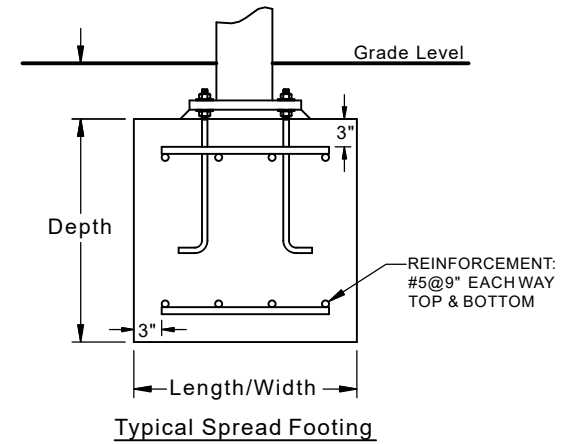
Fabric Connection



Plan View



Side View



Column & Footing Schedule

Column ID	Column Size	Est. Footing Size	Est. Pier Footing Size
C1	10" Sch40	4.0' x 4.0' x 3.0'	7.3' Deep x Ø3.0'
C2	10" Sch40	4.8' x 4.8' x 3.0'	7.5' Deep x Ø3.0'
C3	10" Sch40	4.0' x 4.0' x 3.0'	7.5' Deep x Ø3.0'
C4	10" Sch40	4.8' x 4.8' x 3.0'	7.3' Deep x Ø3.0'

SHADE:  
30' X 30' 10' EH HYPERBOLIC SAIL

SCALE  
Not to Scale

Furniture Leisure  
Commercial Site Furnishings

FurnitureLeisure.com PoolFurnitureSupply.com  
PicnicFurniture.com PicnicTableSupplier.com  
ParkTables.com UBrace.com

1-800-213-2401 | sales@furnitureleisure.com