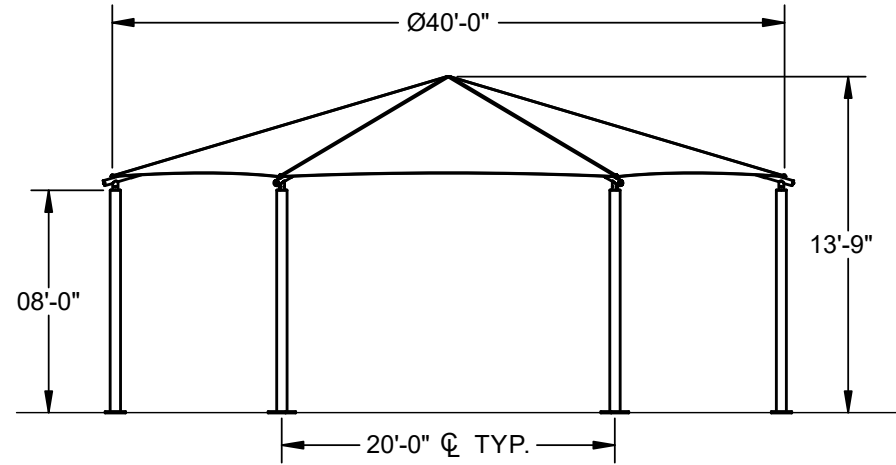


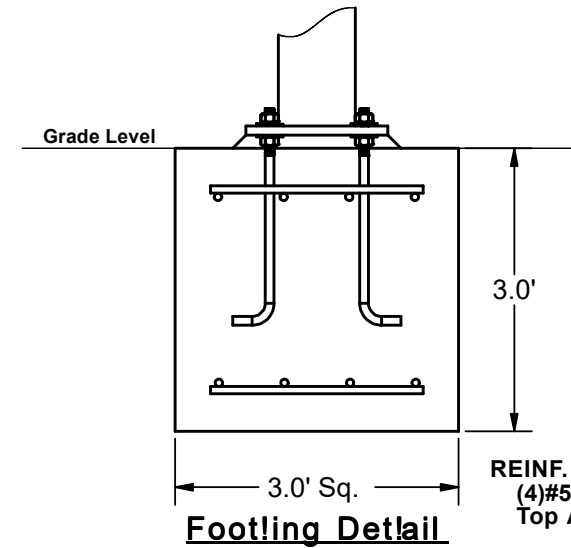
HEXAGON HIP SHADE

40' x 40' x 08'

MODEL #:
 HD404008SG (With Glide Elbows)
 HD404008SN (Without Glide Elbows)



ELEVATION VIEW



REINF.
 (4)#5 EW
 Top And Bottom

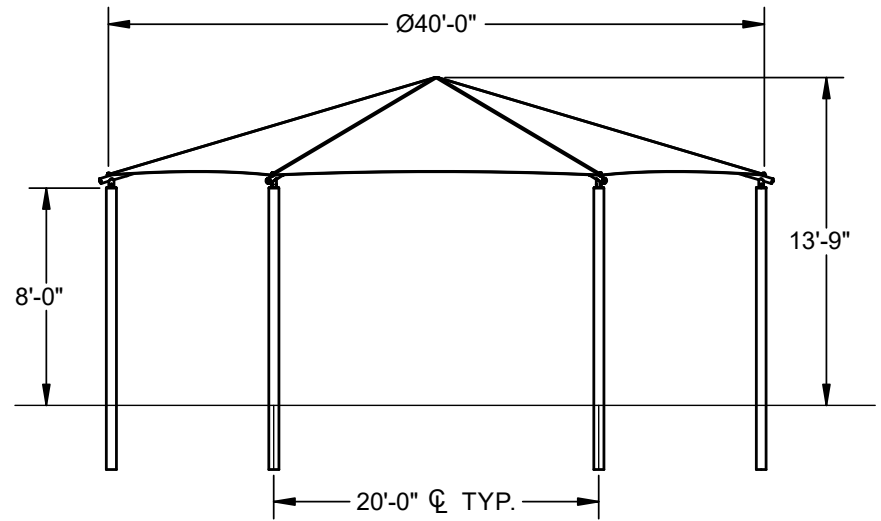
*Footing design based on 1500 PSF soil bearing pressure.

REF.#	PART DESCRIPTION	QTY.
1	Ø5.5"Column - Surface Mount	6
2	Ø5.5"Hub - With Six Sockets	1
3	Ø3.5"Rafter - Swaged	6
4	Angled Elbow	6
5	Fabric - With Cable Insert	1
6	Frame Hardware Kit	1

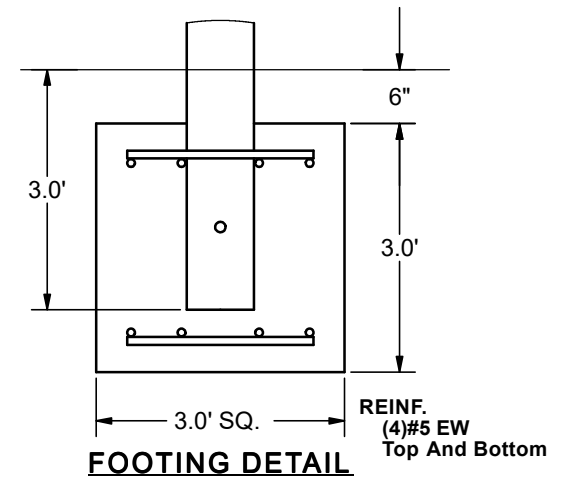
HEXAGON HIP SHADE

40' x 40' x 8'

MODEL #:
 HD404008IG (With Glide Elbows)
 HD404008IN (Without Glide Elbows)



ELEVATION VIEW



*Footing design based on 1500 PSF soil bearing pressure.

REF.#	PART DESCRIPTION	QTY.
1	Ø5.5"Column - Embedded	6
2	Ø5.5"Hub - With Six Sockets	1
3	Ø3.5"Rafter - Swaged	6
4	Angled Elbow	6
5	Fabric - With Cable Insert	1
6	Frame Hardware Kit	1