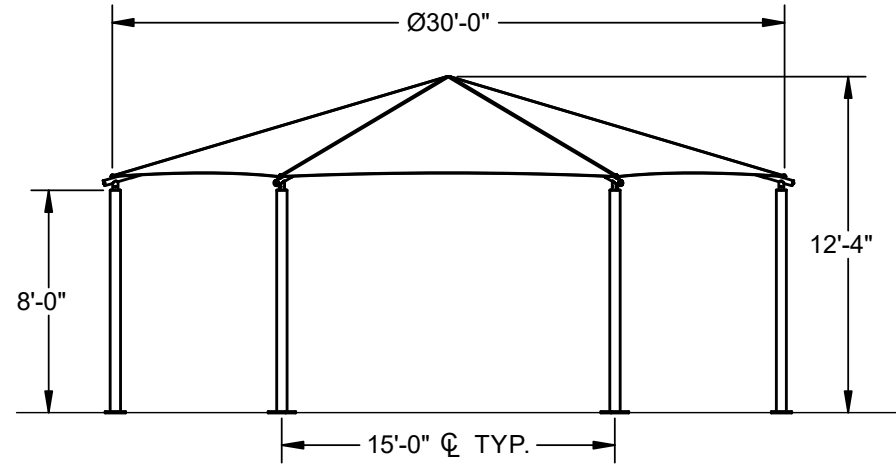


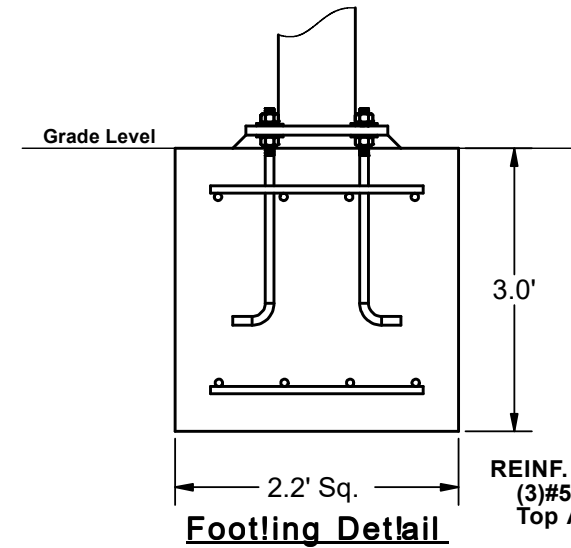
HEXAGON HIP SHADE

30' x 30' x 8'

MODEL #:
 HD303008SG (With Glide Elbows)
 HD303008SN (Without Glide Elbows)



ELEVATION VIEW



REINF.
(3)#5 EW
Top And Bottom

*Footing design based on 1500 PSF soil bearing pressure.

Footling Detail

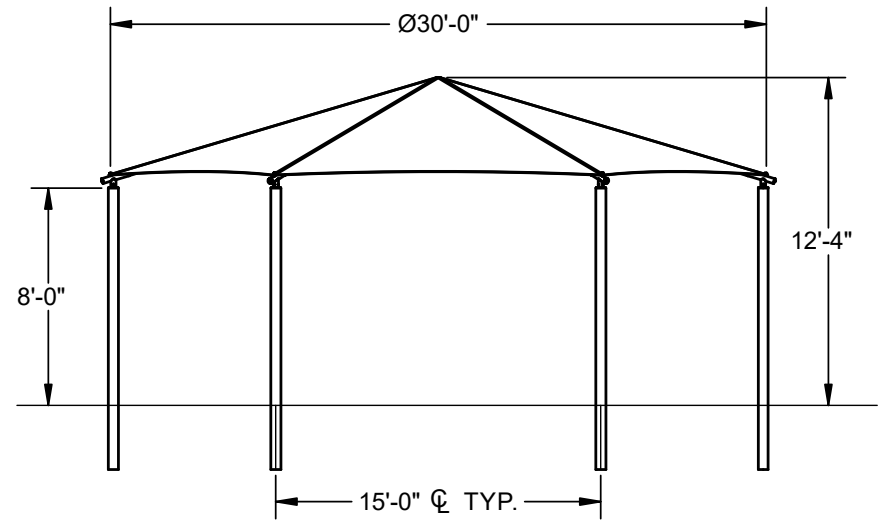
HEXAGON HIP SHADE

30' x 30' x 8'

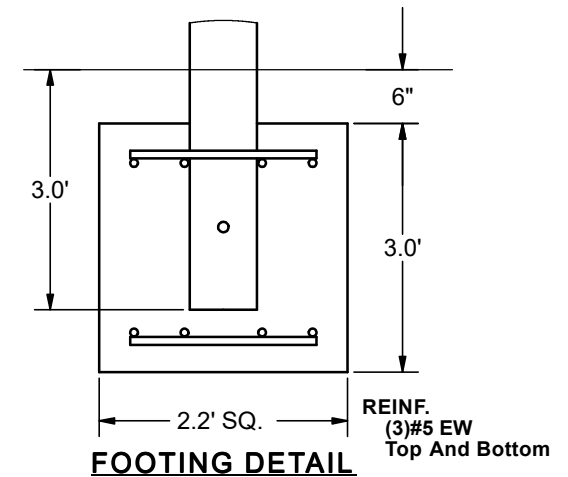
MODEL #:

HD303008IG (With Glide Elbows)

HD303008IN (Without Glide Elbows)



ELEVATION VIEW



FOOTING DETAIL

*Footing design based on 1500 PSF soil bearing pressure.

| REF.# | PART DESCRIPTION | QTY. |
|-------|-----------------------------|------|
| 1 | Ø5.0"Column - Embedded | 6 |
| 2 | Ø5.0"Hub - With Six Sockets | 1 |
| 3 | Ø2.88"Rafter - Swaged | 6 |
| 4 | Angled Elbow | 6 |
| 5 | Fabric - With Cable Insert | 1 |
| 6 | Frame Hardware Kit | 1 |