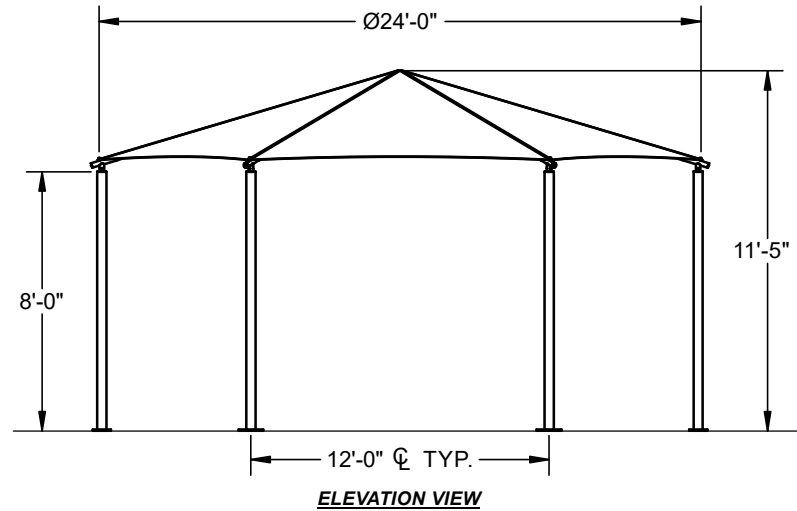


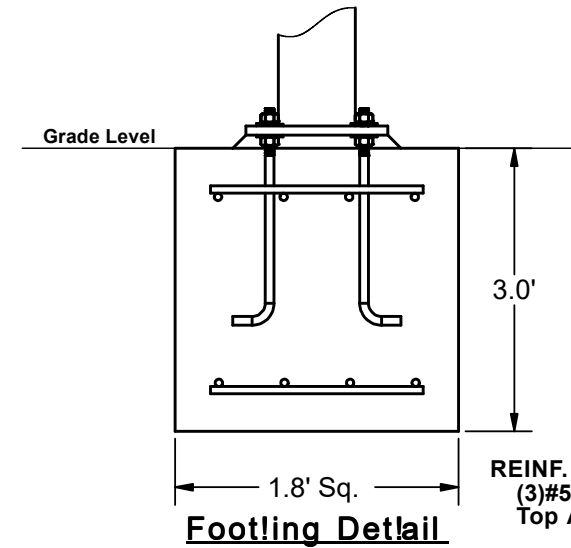
HEXAGON HIP SHADE

24' x 24' x 8'

MODEL #:
 HD242408SG (With Glide Elbows)
 HD242408SN (Without Glide Elbows)



REF.#	PART DESCRIPTION	QTY.
1	Ø5.0"Column - Surface Mount	6
2	Ø5.0"Hub - With Six Sockets	1
3	Ø2.5"Rafter - Swaged	6
4	Angled Elbow	6
5	Fabric - With Cable Insert	1
6	Frame Hardware Kit	1



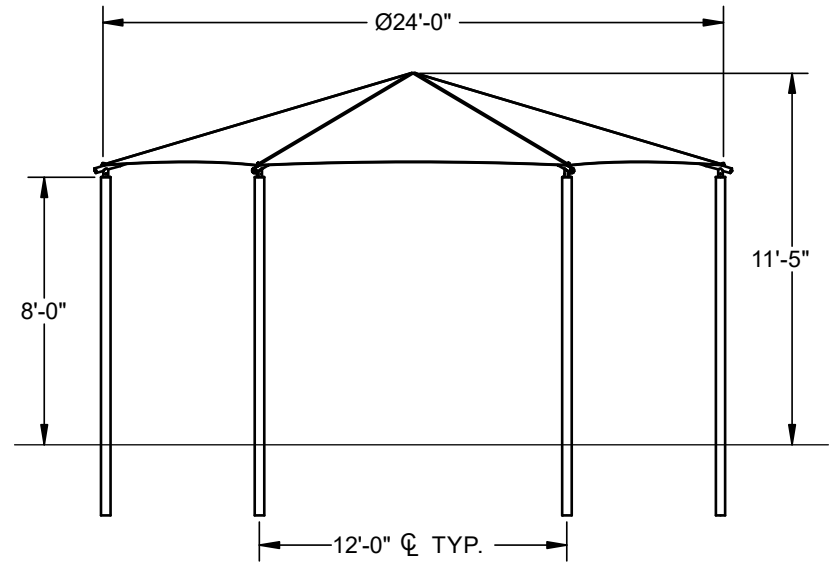
REINF.
 (3)#5 EW
 Top And Bottom

*Footing design based on 1500 PSF soil bearing pressure.

HEXAGON HIP SHADE

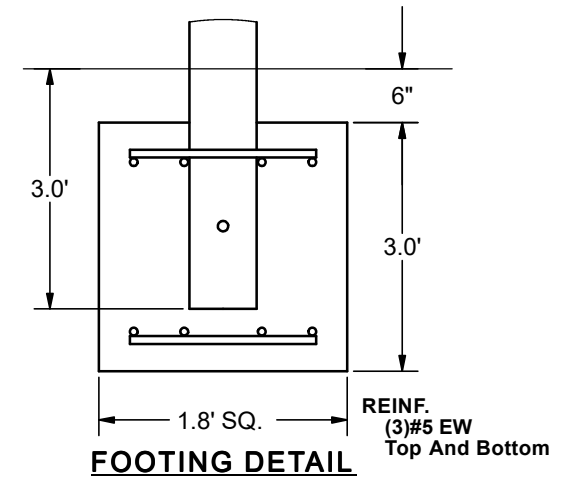
24' x 24' x 8'

MODEL #:
 HD242408IG (With Glide Elbows)
 HD242408IN (Without Glide Elbows)



ELEVATION VIEW

REF.#	PART DESCRIPTION	QTY.
1	Ø5.0"Column - Embedded	6
2	Ø5.0"Hub - With Six Sockets	1
3	Ø2.5"Rafter - Swaged	6
4	Angled Elbow	6
5	Fabric - With Cable Insert	1
6	Frame Hardware Kit	1



FOOTING DETAIL

*Footing design based on 1500 PSF soil bearing pressure.