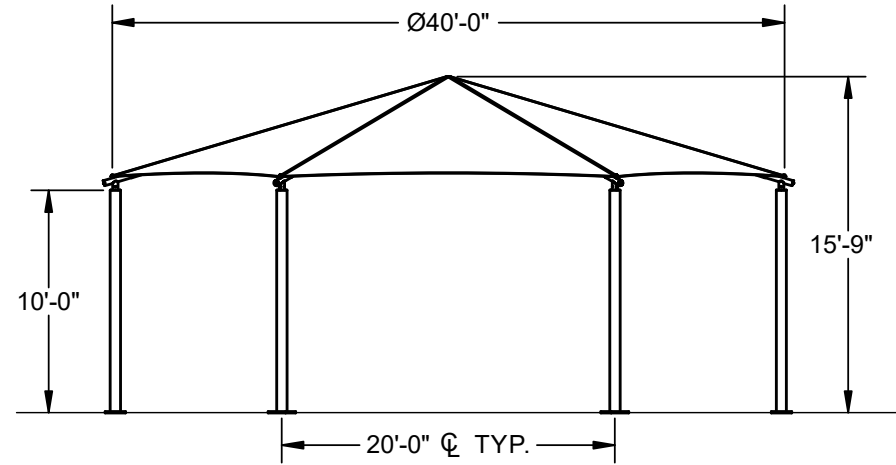


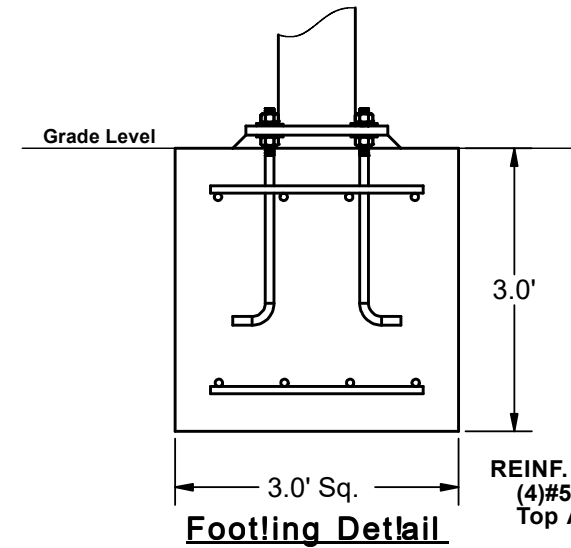
HEXAGON HIP SHADE

40' x 40' x 10'

MODEL #:
 HD404010SG (With Glide Elbows)
 HD404010SN (Without Glide Elbows)



ELEVATION VIEW



REINF.
(4)#5 EW
Top And Bottom

*Footing design based on 1500 PSF soil bearing pressure.

REF.#	PART DESCRIPTION	QTY.
1	Ø6.6"Column - Surface Mount	6
2	Ø6.6"Hub - With Six Sockets	1
3	Ø3.5"Rafter - Swaged	6
4	Angled Elbow	6
5	Fabric - With Cable Insert	1
6	Frame Hardware Kit	1

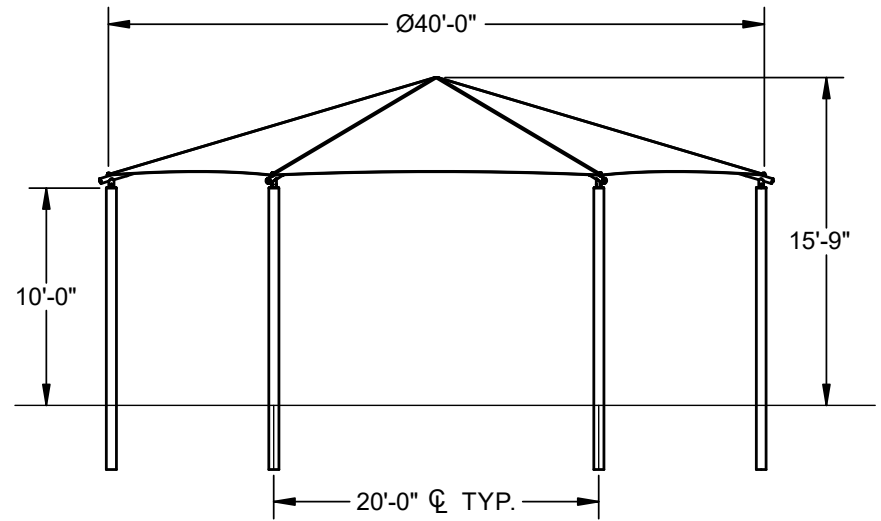
HEXAGON HIP SHADE

40' x 40' x 10'

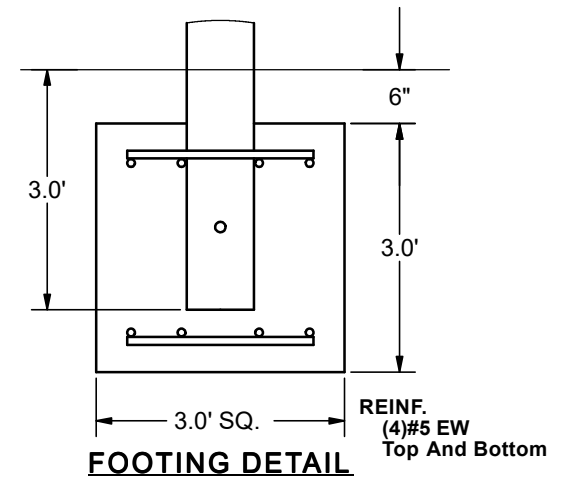
MODEL #:

HD404010IG (With Glide Elbows)

HD404010IN (Without Glide Elbows)



ELEVATION VIEW



FOOTING DETAIL

*Footing design based on 1500 PSF soil bearing pressure.

REF.#	PART DESCRIPTION	QTY.
1	Ø6.6"Column - Embedded	6
2	Ø6.6"Hub - With Six Sockets	1
3	Ø3.5"Rafter - Swaged	6
4	Angled Elbow	6
5	Fabric - With Cable Insert	1
6	Frame Hardware Kit	1