

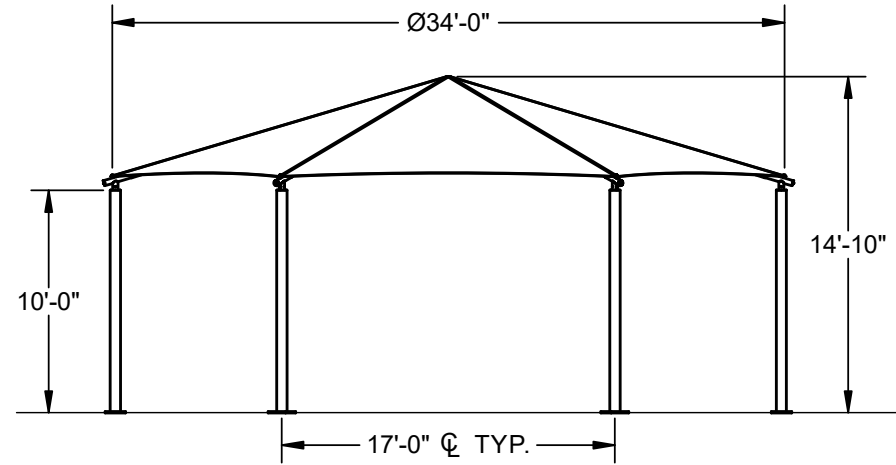
HEXAGON HIP SHADE

34' x 34' x 10'

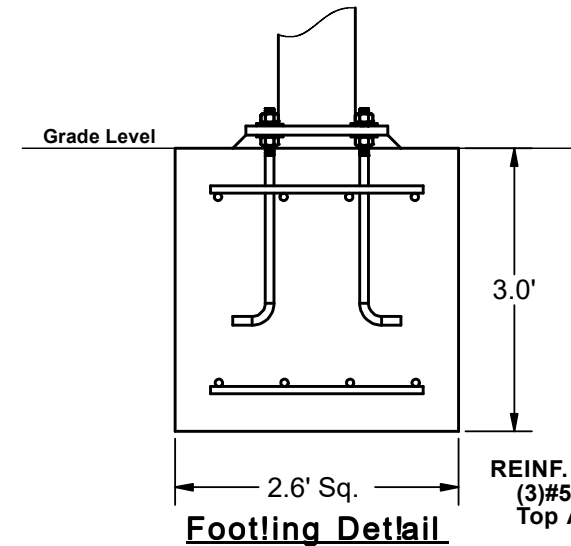
MODEL #:

HD343410SG (With Glide Elbows)

HD343410SN (Without Glide Elbows)



ELEVATION VIEW



REINF.
(3)#5 EW
Top And Bottom

*Footing design based on 1500 PSF soil bearing pressure.

Footling Detail

REF.#	PART DESCRIPTION	QTY.
1	Ø5.5"Column - Surface Mount	6
2	Ø5.5"Hub - With Six Sockets	1
3	Ø2.88"Rafter - Swaged	6
4	Angled Elbow	6
5	Fabric - With Cable Insert	1
6	Frame Hardware Kit	1

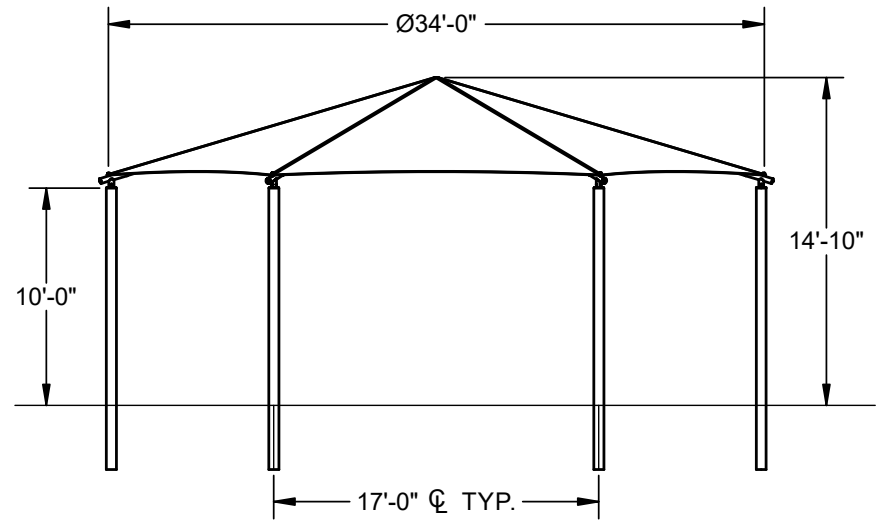
HEXAGON HIP SHADE

34' x 34' x 10'

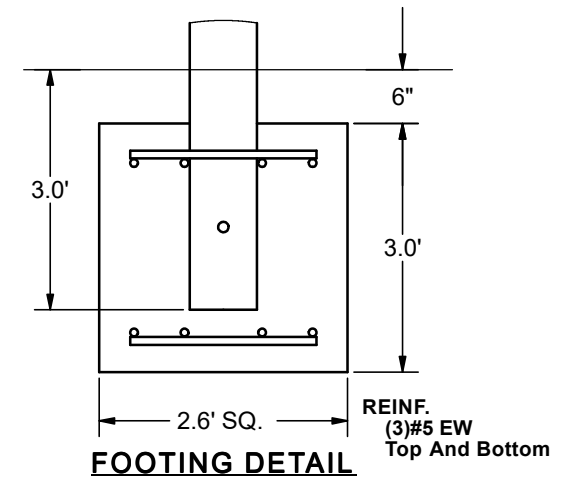
MODEL #:

HD343410IG (With Glide Elbows)

HD343410IN (Without Glide Elbows)



ELEVATION VIEW



FOOTING DETAIL

*Footing design based on 1500 PSF soil bearing pressure.

REF.#	PART DESCRIPTION	QTY.
1	Ø5.5"Column - Embedded	6
2	Ø5.5"Hub - With Six Sockets	1
3	Ø2.88"Rafter - Swaged	6
4	Angled Elbow	6
5	Fabric - With Cable Insert	1
6	Frame Hardware Kit	1