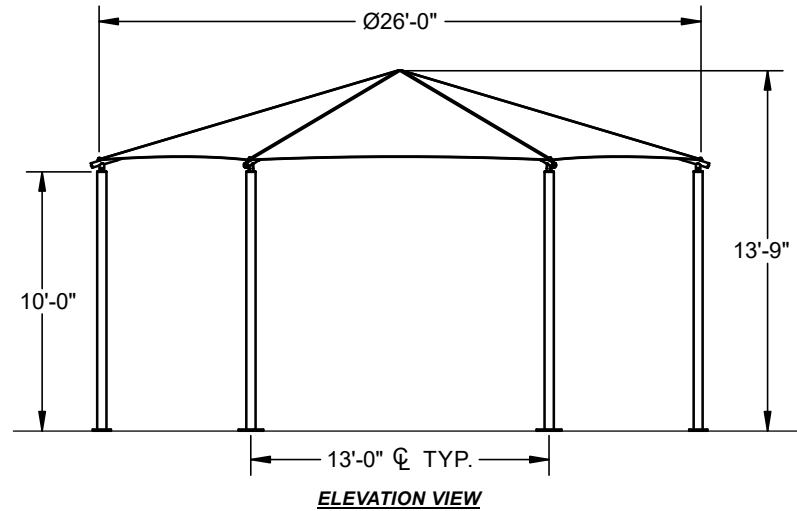


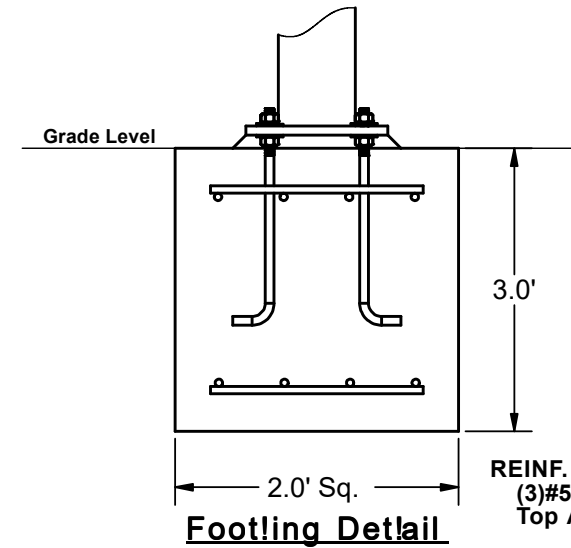
HEXAGON HIP SHADE

26' x 26' x 10'

MODEL #:
 HD262610SG (With Glide Elbows)
 HD262610SN (Without Glide Elbows)



| REF.# | PART DESCRIPTION | QTY. |
|-------|-----------------------------|------|
| 1 | Ø5.0"Column - Surface Mount | 6 |
| 2 | Ø5.0"Hub - With Six Sockets | 1 |
| 3 | Ø2.88"Rafter - Swaged | 6 |
| 4 | Angled Elbow | 6 |
| 5 | Fabric - With Cable Insert | 1 |
| 6 | Frame Hardware Kit | 1 |



REINF.
 (3)#5 EW
 Top And Bottom

*Footing design based on 1500 PSF soil bearing pressure.



Furniture Leisure

Commercial Site Furnishings

1-800-213-2401 | sales@furnitureleisure.com

FurnitureLeisure.com PoolFurnitureSupply.com

PicnicFurniture.com PicnicTableSupplier.com

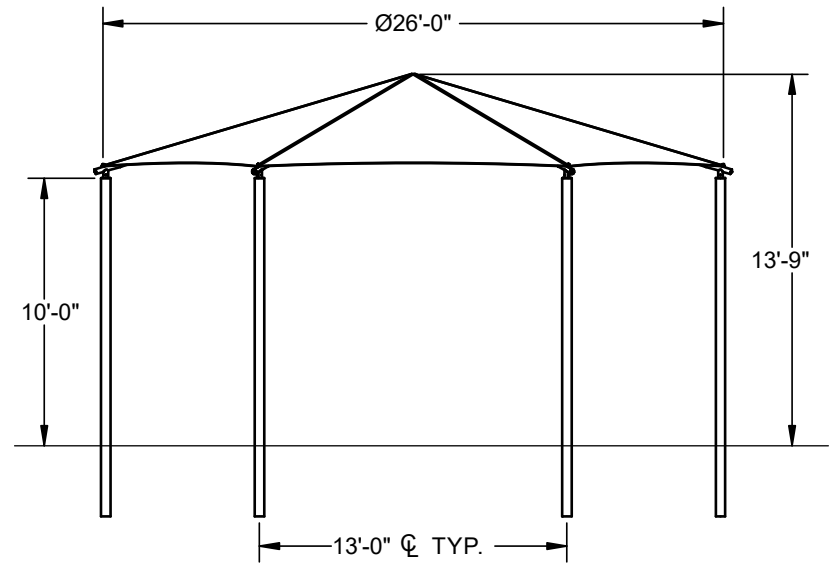
ParkTables.com

UBrace.com

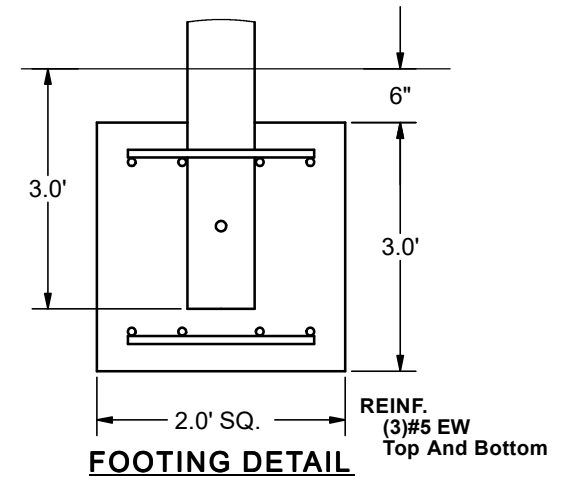
HEXAGON HIP SHADE

26' x 26' x 10'

MODEL #:
 HD262610IG (With Glide Elbows)
 HD262610IN (Without Glide Elbows)



ELEVATION VIEW



FOOTING DETAIL

*Footing design based on 1500 PSF soil bearing pressure.

| REF.# | PART DESCRIPTION | QTY. |
|-------|-----------------------------|------|
| 1 | Ø5.0"Column - Embedded | 6 |
| 2 | Ø5.0"Hub - With Six Sockets | 1 |
| 3 | Ø2.88"Rafter - Swaged | 6 |
| 4 | Angled Elbow | 6 |
| 5 | Fabric - With Cable Insert | 1 |
| 6 | Frame Hardware Kit | 1 |

