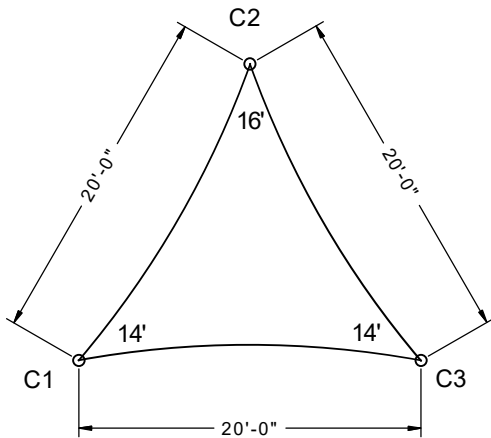
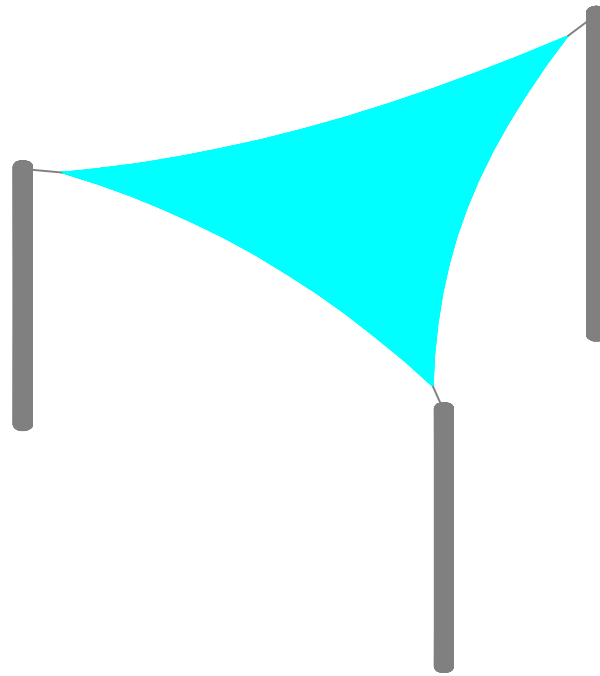
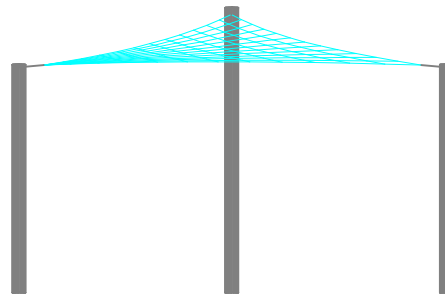


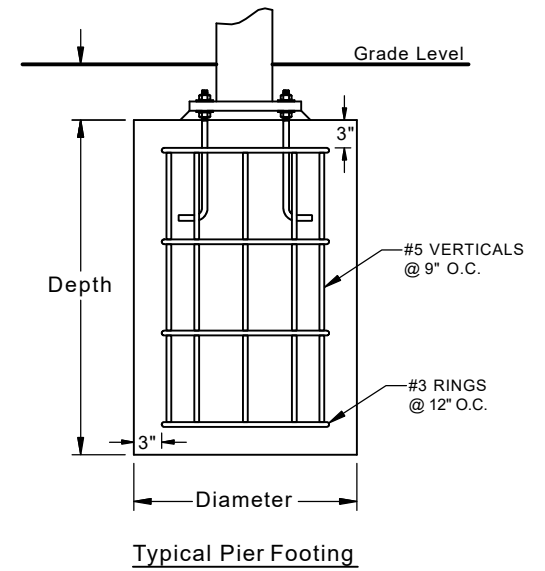
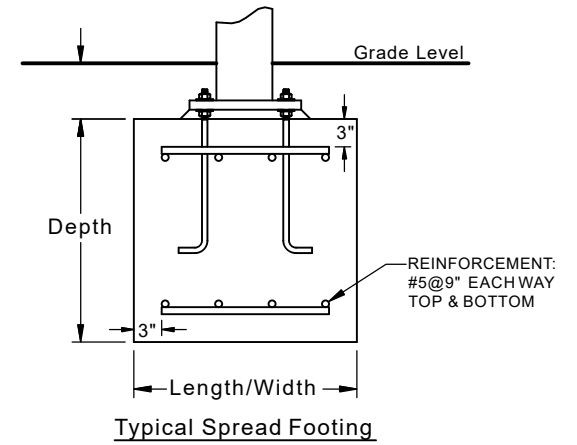
Fabric Connection



Plan View



Side View



Column & Footing Schedule

Column ID	Column Size	Est. Footing Size	Est. Pier Footing Size
C1	8" Sch40	2.8' x 2.8' x 3.0'	3.0' Deep x Ø3.0'
C2	8" Sch40	3.0' x 3.0' x 3.0'	3.2' Deep x Ø3.0'
C3	8" Sch40	2.8' x 2.8' x 3.0'	3.0' Deep x Ø3.0'

SHADE:
20' X 20' X 20' 14' EH TRIANGLE SAIL

SCALE
Not to Scale

 **Furniture Leisure**
Commercial Site Furnishings

FurnitureLeisure.com PoolFurnitureSupply.com
PicnicFurniture.com PicnicTableSupplier.com
ParkTables.com UBrace.com

1-800-213-2401 | sales@furnitureleisure.com