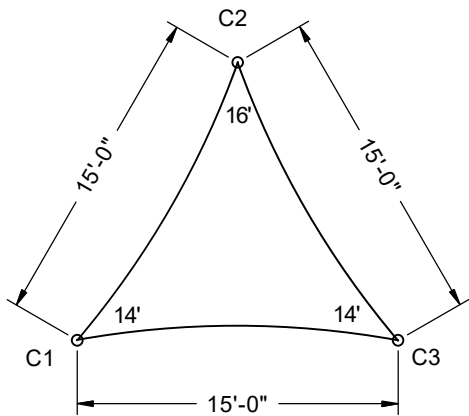
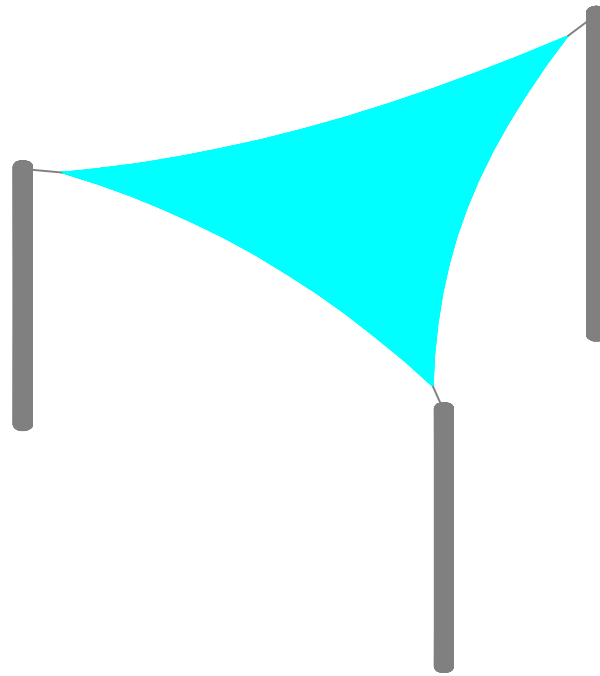
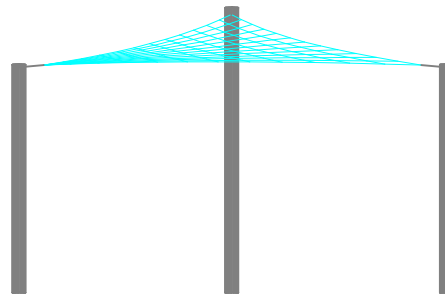


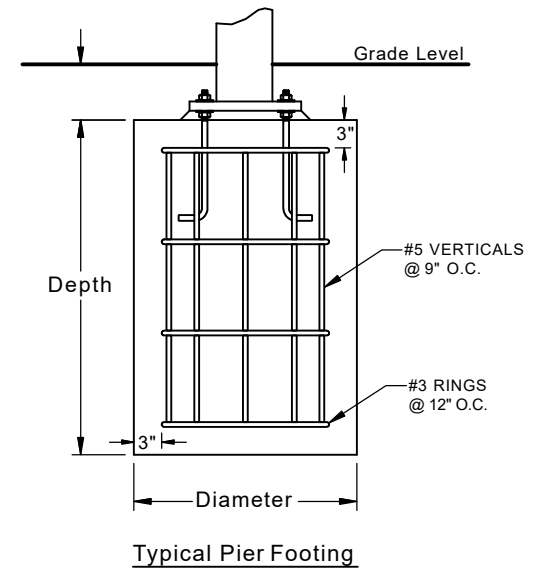
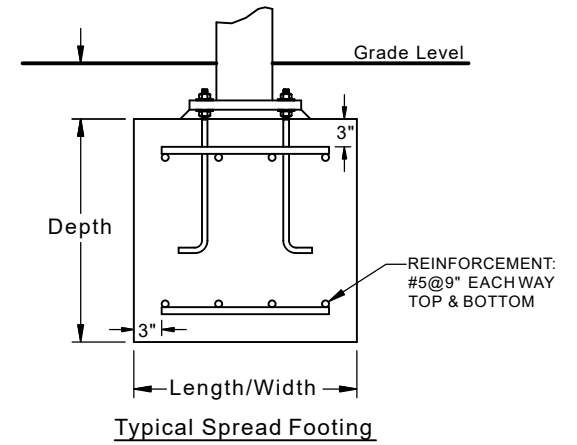
Fabric Connection



Plan View



Side View



Column & Footing Schedule

| Column ID | Column Size | Est. Footing Size | Est. Pier Footing Size |
|-----------|-------------|-------------------|------------------------|
| C1 | 6" Sch40 | 1.8'x 1.8'x 3.0' | 2.8' Deep x Ø2.0' |
| C2 | 6" Sch40 | 1.9'x 1.9'x 3.0' | 3.0' Deep x Ø2.0' |
| C3 | 6" Sch40 | 1.8'x 1.8'x 3.0' | 2.8' Deep x Ø2.0' |

SHADE:
15' X 15' X 15' 14' EH TRIANGLE SAIL

SCALE
Not to Scale

 **Furniture Leisure**
Commercial Site Furnishings

FurnitureLeisure.com PoolFurnitureSupply.com
PicnicFurniture.com PicnicTableSupplier.com
ParkTables.com UBrace.com

1-800-213-2401 | sales@furnitureleisure.com