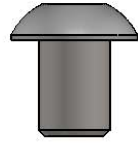


Model #
TR32CC-FLATTOPRB

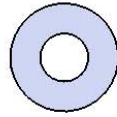
HARDWARE



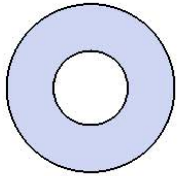
5/16" x 1-1/4"
Lag Bolt



1/4" x 1/2"
Button Bolt

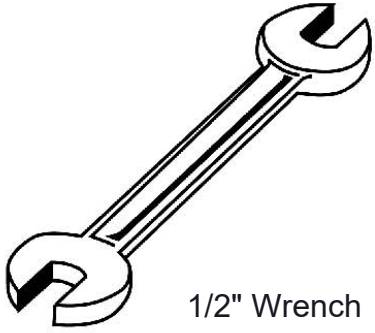


1/4" Washer



5/16" Washer

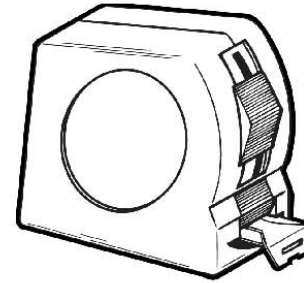
TOOLS REQUIRED



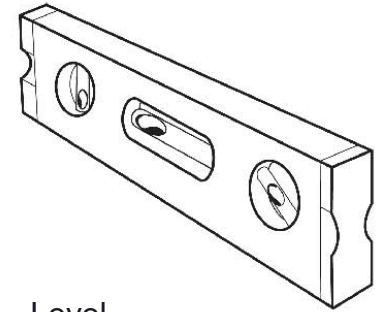
1/2" Wrench



1/2" Socket Wrench



Tape Measure



Level



5/32" Allen Wrench

PRODUCT SPECIFICATIONS

TR32CC-FLATTOPRB CASCADES 32 GALLON TRASH RECEPTACLE

Slats: Minimum of 96% commingled post-consumer or post-industrial recycled plastic 2x4. With a maximum of 4% due to various additives including color and UV stabilization to obtain desirable properties.

Frame: Rings are 3/16" x 2" flat. Top and bottom plate is laser cut from 1/4" steel. All electrically MIG welded. Rosettes are cast aluminum.

Receptacle Coating: TGIC electrostatic powder coated application oven cured.

Receptacle Dimensions: 26-1/2" diameter x 51" high x 32 gallon capacity.

Hardware: Mounting hardware not included. Included hardware to be stainless steel.

RB-32 32 GALLON RAIN BONETT TOP

Material: Top plate shall be fabricated from 18 gauge steel flat, spun to form. Vertical posts are 1/2" diameter steel rods. Bonnet top shall be fabricated from 20 gauge steel flat, spun to form. All electrically MIG welded.

Frame Coating: Electrostatic powder coated application oven cured.

Receptacle Dimensions: Center opening shall be an 8" inside diameter. The overall dimensions shall be 23-1/2" diameter x 11" high.

PL-32

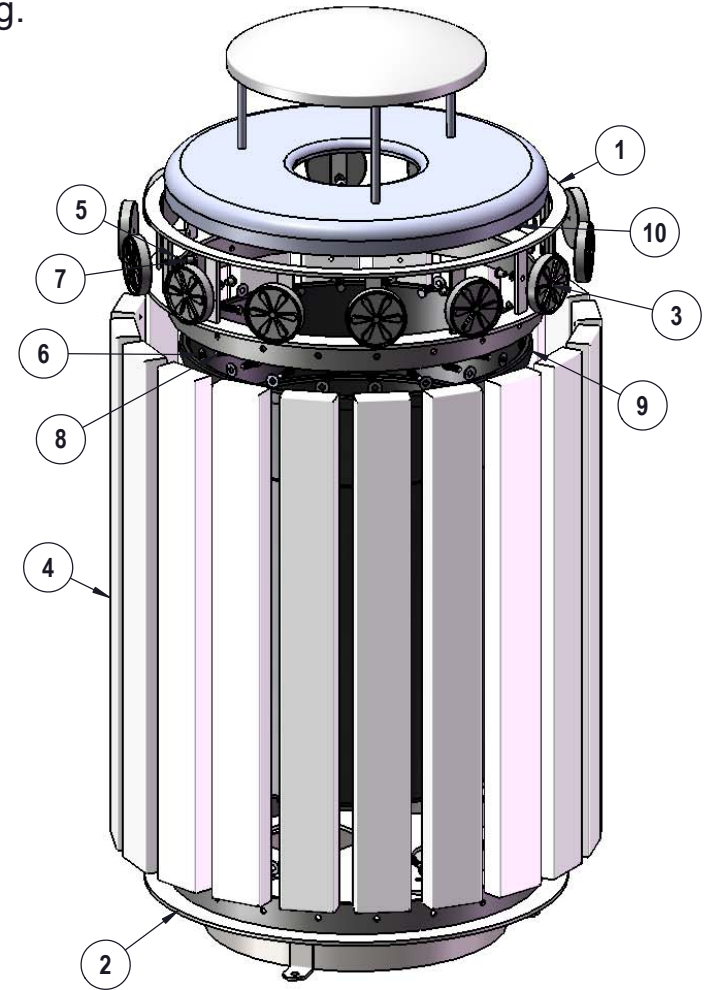
Trash Liner made from heavy duty plastic.

COMPONENTS

The use of Loctite™ is required when attaching to Rosettes with Button Head Bolts.

Over tightening of Button Head Bolts and Lag Bolts will result in stripping.

Optional Surface Mount Hardware:
 3/8" x 3-1/2" Concrete Expansion Anchor Bolts
 (Not Included)



ITEM NO.	PartNo	DESCRIPTION	QTY
1	P-01-05-0117	Charleston Decorative Upper Assembly	1
2	P-01-05-0118	Charleston Decorative Lower Assembly	1
3	P-01-05-0108	Decorative Receptacle Rosette	14
4	BRN34-2x4-CH, CDR34-2x4-CH, GRN34-2x4-CH, or GRY34-2x4-CH	2 x 4 Brown Recycled TR Plank (34"), 2 x 4 Cedar Recycled TR Plank (34"), 2 x 4 Green Recycled TR Plank (34"), or 2 x 4 Gray Recycled TR Plank (34")	20
5	33-02-0016	1/4" Flat Washer (SS)	14
6	33-02-0007	5/16" SS Washer	40
7	33-06-0075	1/4"-20 x 1/2" Button Bolt (SS)	14
8	33-05-0034	5/16" x 1-1/4" lag bolt, SS	40
9	PL-32	32 Gal. Liner	1
10	RBR-32-08	32 Gallon Rolled Rain Bonnet with a 8" opening	1

OVERALL DIMENSIONS

