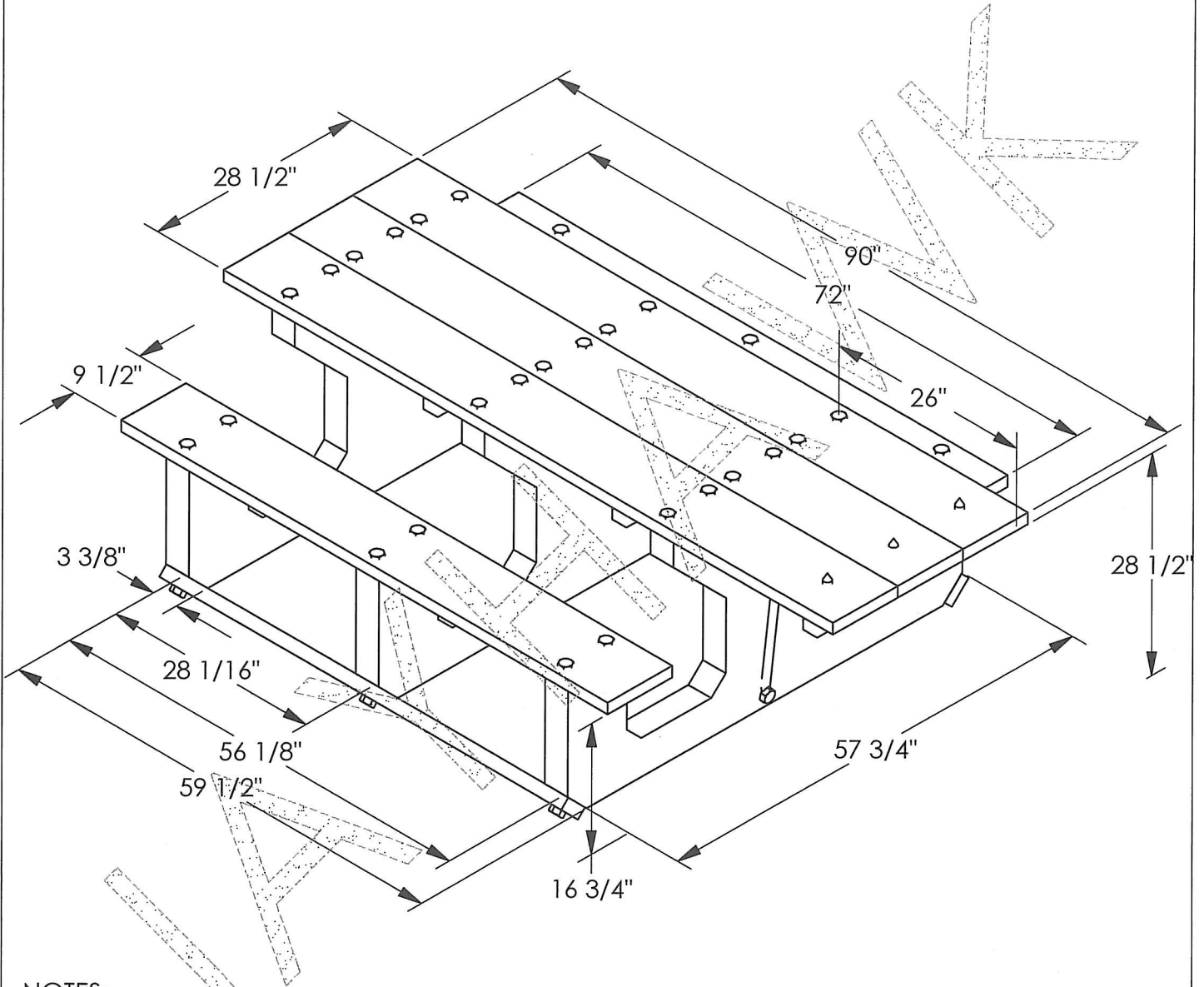


REV.	DESCRIPTION	BY	DATE	CHKD BY
A	RELEASE TO PRODUCTION	ALH	6/8/2007	JRS



**NOTES:**

- 2 X 10 SLATS ARE RECYCLED PLASTIC
- BASES ARE RECYCLED PLASTIC
- ALL HOLES ARE PRE-DRILLED AND COUNTERSUNK FOR PLASTIC LUMBER
- BASES ARE HAND DRILLED IN FIELD
- ALL HARDWARE IS ZINC PLATED (1/2 X 4" LAG BOLT, 1/4 X 3 1/2" LAG SCREW, & 5/16 X 1 1/2" LAG SCREW)
- STAINLESS STEEL HARDWARE AVAILABLE
- UNIT WEIGHT APPROX. 435 LBS.

**FURNITURE LEISURE INC**

OUR LIST OF WEB STORES

- [www.FurnitureLeisure.com](http://www.FurnitureLeisure.com)
- [www.PoolFurnitureSupply.com](http://www.PoolFurnitureSupply.com)
- [www.PicnicFurniture.com](http://www.PicnicFurniture.com)
- [www.PicnicTableSupplier.com](http://www.PicnicTableSupplier.com)
- [www.ParkTables.com](http://www.ParkTables.com)
- [www.UBrace.com](http://www.UBrace.com)

**1.800.213.2401**

JOB NUMBER <b>STANDARD</b>		THIS MATERIAL IS THE PROPERTY OF JAYHAWK PLASTICS, INC., AND SHOULD NOT BE REPRODUCED, PUBLISHED OR DISCLOSED TO OTHERS WITHOUT AUTHORIZATION AND SHALL NOT BE USED IN ANY WAY AGAINST OR DETRIMENTAL TO JAYHAWK PLASTICS INC. OLATHE, KANSAS	
DATE <b>6/8/2007</b>			
DRAWN <b>ALH</b>	CHECKED <b>JRS</b>		
DESCRIPTION <b>JPPT83ADA</b>			
ASSEMBLY NUMBER		SCALE <b>1:16</b>	
DRAWING NO. PB 6__PICADA-SPEC	CAD FILE PB 6__PICADA	SHEET <b>SHEET 1 OF 1</b>	REV <b>A</b>