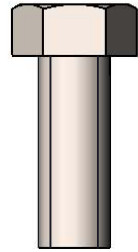


Model # B6ARS-RC-CANT

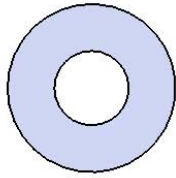
HARDWARE



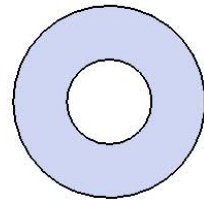
5/16" x 1"
Lag Bolt



3/8" x 1"
Machine Bolt



5/16" Flat Washer



3/8" Flat Washer

ULTRA SITE PRODUCT SPECIFICATIONS

69S-R6 6' CANTILEVER INGROUND MOUNT BENCH

Seat & Back: 2x4 planks are made from a minimum of 96% post-consumer or post-industrial recycled plastic. Contains UV stabilizers to prevent fading. End Planks are made from 1-1/2" x 3-1/2" Steel Oval Tube.

Frame: 4" diameter x 11 gauge structural steel tubing. Attachment plates are 1/4" thick flat steel. All electrically MIG welded.

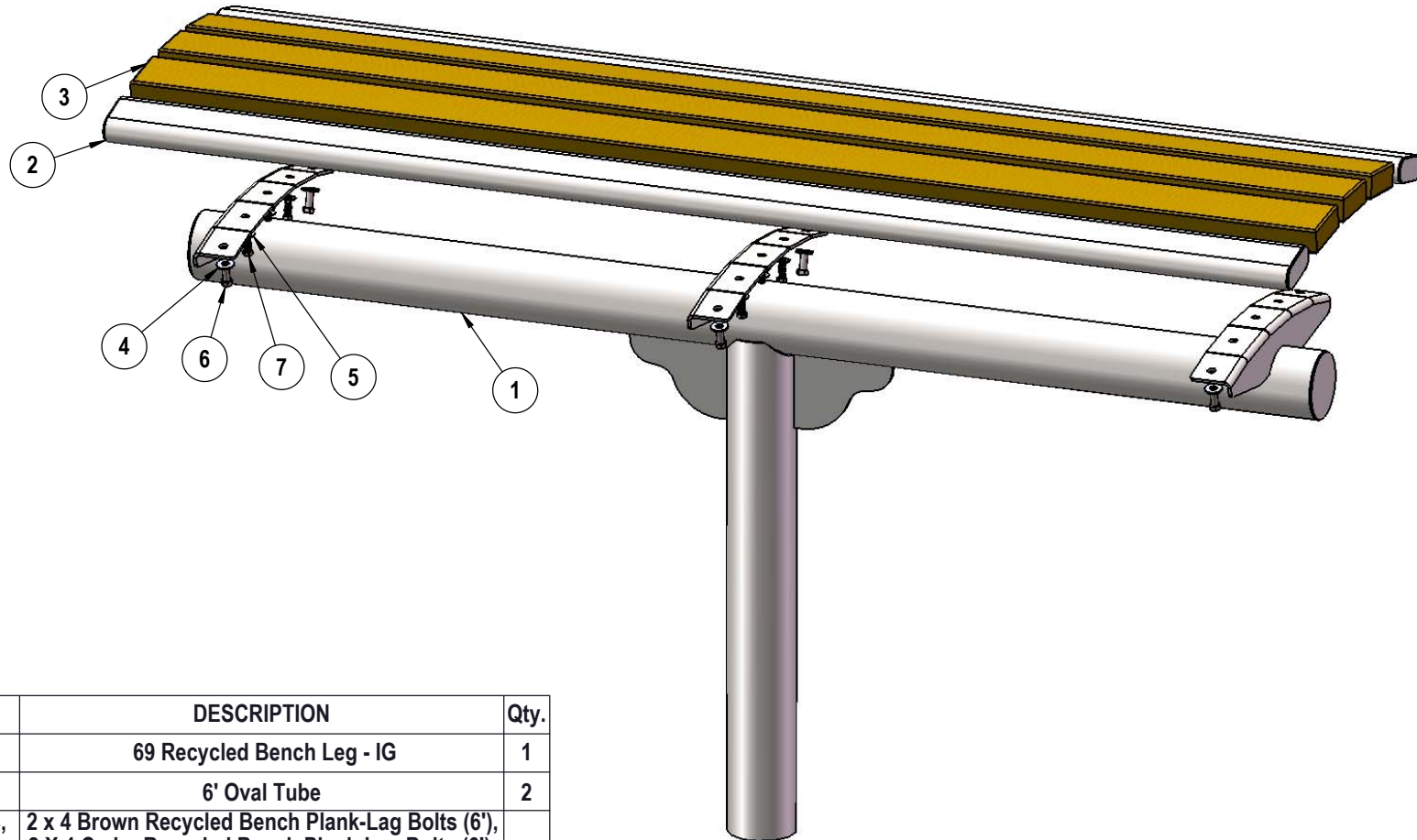
Coating: Steel is sandblasted to near white condition. Coated with zinc rich epoxy primer and top coated with electrostatic powder coat, oven cured.

Hardware: All fasteners are stainless steel.

Dimensions: 6' inground mounted bench without back. Seat is 18" wide x 72" long. Seat height is 18-5/8" from the ground to the top of the seat. The overall dimensions are 72" x 18" x 36-1/8".

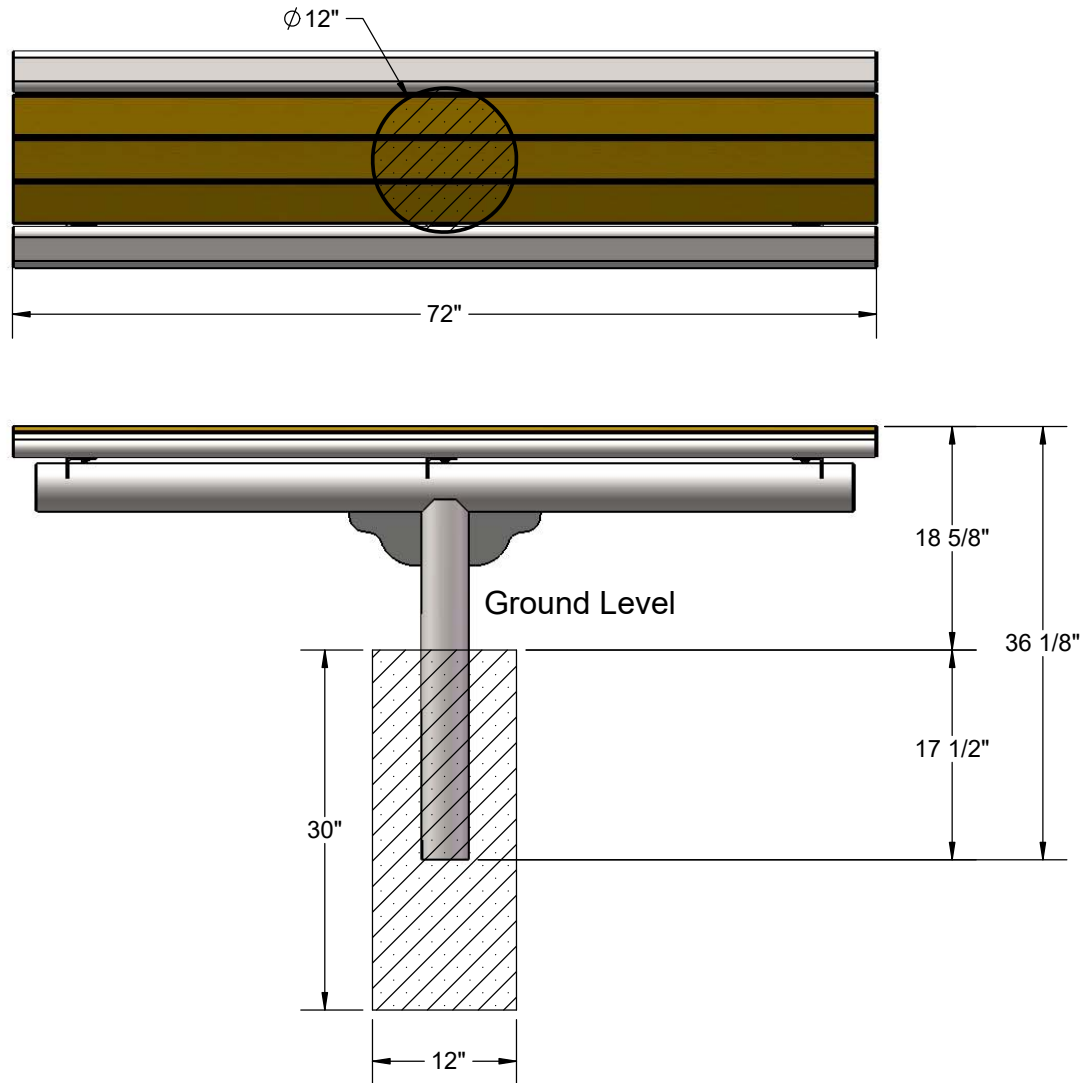
COMPONENTS

Attach the 6' Recycled and Steel Planks to the 69 Leg using specified hardware.



ITEM NO.	PartNo	DESCRIPTION	Qty.
1	01-01-0916	69 Recycled Bench Leg - IG	1
2	01-01-0664	6' Oval Tube	2
3	BRN72-2x4-LB, CDR72-2x4-LB, GRN72-2x4-LB, or GRY72-2x4-LB	2 x 4 Brown Recycled Bench Plank-Lag Bolts (6'), 2 X 4 Cedar Recycled Bench Plank-Lag Bolts (6'), 2 x 4 Green Recycled Bench Plank-Lag Bolts(6'), or 2 x 4 Grey Recycled Bench Plank-Lag Bolts (6')	3
4	33-02-0008	3/8" Flat Washer (SS)	6
5	33-02-0007	5/16" SS Washer	9
6	33-06-0056	3/8" x 1" Machine Bolt (SS)	6
7	33-05-0067	5/16" x 1" lag bolt, SS	9

FOOTING



Estimated Concrete Required:
6 Bags of Concrete Mix

OVERALL DIMENSIONS

