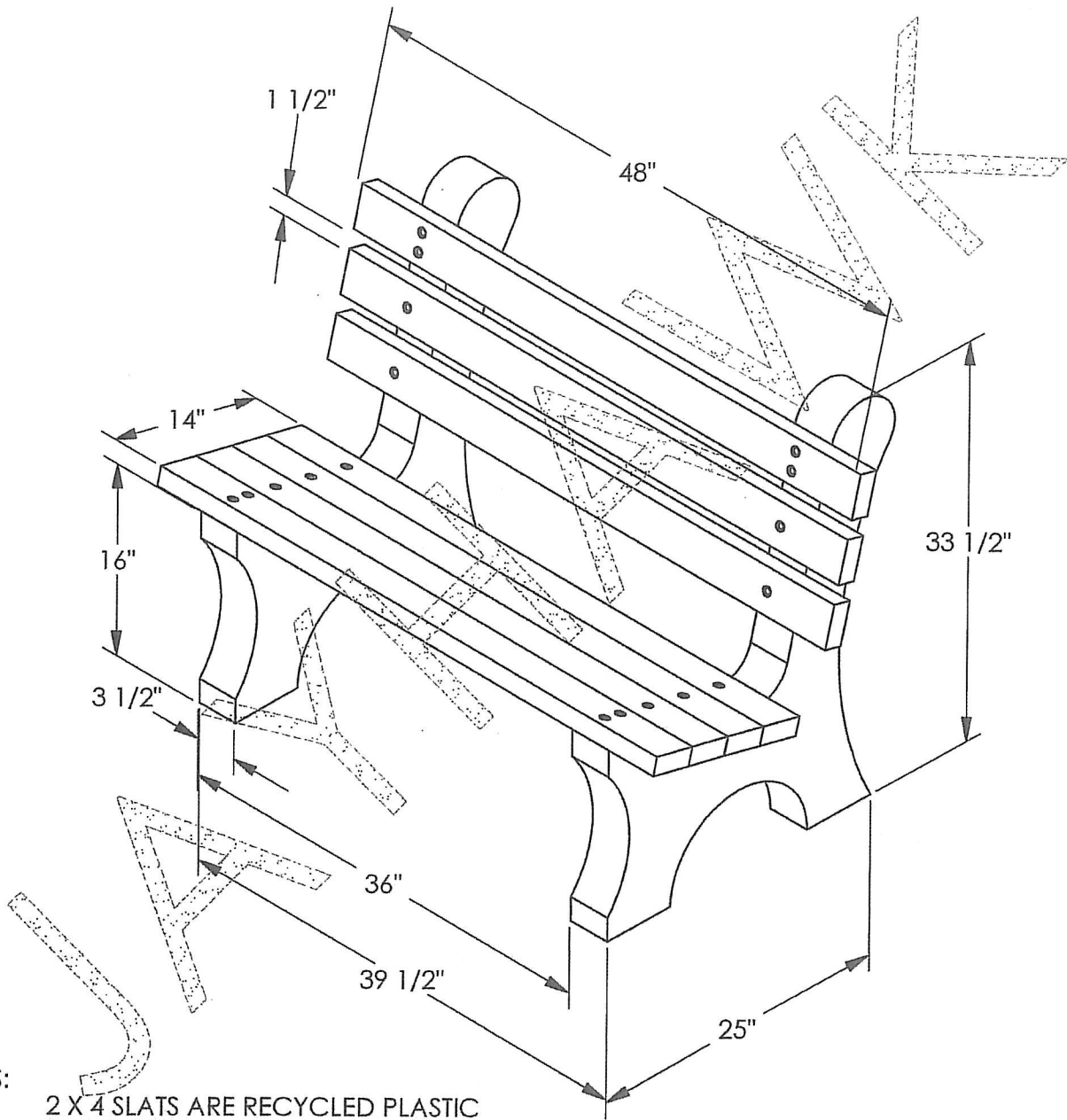


REV.	DESCRIPTION	BY	DATE	CHKD BY
A	RELEASE TO PRODUCTION	JWW	7/14/2006	JRS



NOTES:

- 2 X 4 SLATS ARE RECYCLED PLASTIC
- BASES ARE RECYCLED PLASTIC
- ALL HOLES PRE-DRILLED AND COUNTERSUNK
- ALL HARDWARE IS ZINC PLATED (1/4 X 3 1/2 LG. HEX HD. LAG SCREWS, WITH WASHERS)
- STAINLESS STEEL HARDWARE AVAILABLE
- UNIT WEIGHT APPROX. 110 LBS.

FURNITURE LEISURE INC

OUR LIST OF WEB STORES

www.FurnitureLeisure.com www.PoolFurnitureSupply.com
www.PicnicFurniture.com www.PicnicTableSupplier.com
www.ParkTables.com www.UBrace.com

1.800.213.2401

JOB NUMBER STANDARD		THIS MATERIAL IS THE PROPERTY OF JAYHAWK PLASTICS, INC., AND SHOULD NOT BE REPRODUCED, PUBLISHED OR DISCLOSED TO OTHERS WITHOUT AUTHORIZATION AND SHALL NOT BE USED IN ANY WAY AGAINST OR DETRIMENTAL TO JAYHAWK PLASTICS INC. OLATHE, KANSAS	
DATE 7/12/06			
DRAWN JWW	CHECKED JRS		
DESCRIPTION COMFORT PARK AVENUE 4' BENCH / JPCB42			
ASSEMBLY NUMBER -		SCALE 3:32	
DRAWING NO. PB 4__CPA-SPEC		CAD FILE PB 4__CPA	SHEET SHEET 1 OF 1
			REV A