

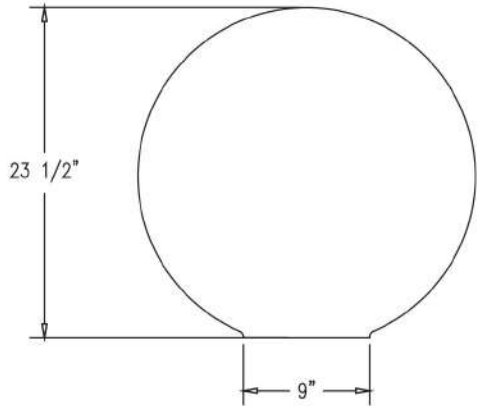


24 in. Concrete Bollard

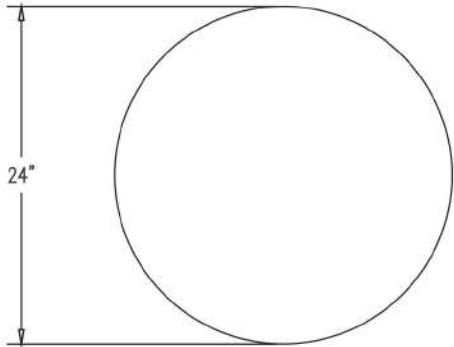
SKU: TF6091

Product Data

Size	24" dia x 23 1/2" h
Weight	750 lbs
Material	Reinforced Concrete
Anchoring	Option A - (3) 3/8" Threaded Inserts Option B - 4" dia x 14" Core
Sealed	Factory Sealed



ELEVATION VIEW



TOP VIEW



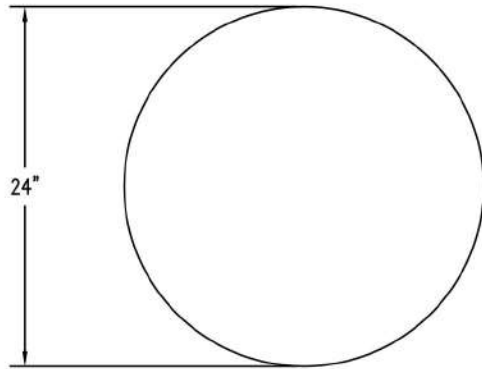
Furniture Leisure

Commercial Site Furnishings

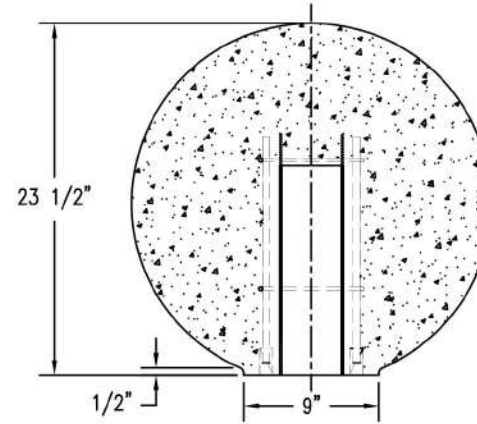
1-800-213-2401 | sales@furnitureleisure.com

FurnitureLeisure.com PoolFurnitureSupply.com
PicnicFurniture.com PicnicTableSupplier.com
ParkTables.com UBrace.com

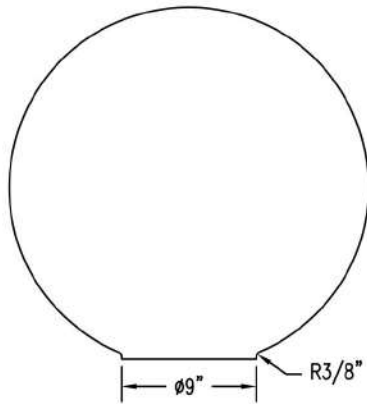
24in. Bollard - TF6091



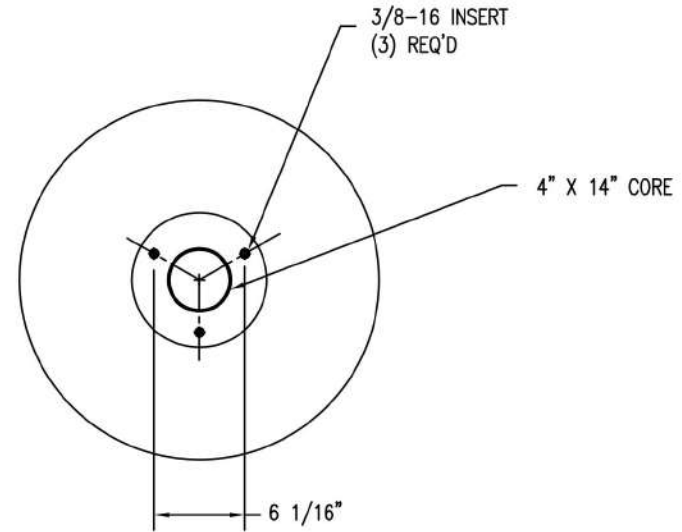
1 TOP VIEW



4 CROSS SECTION



2 ELEVATION VIEW



3 BOTTOM VIEW