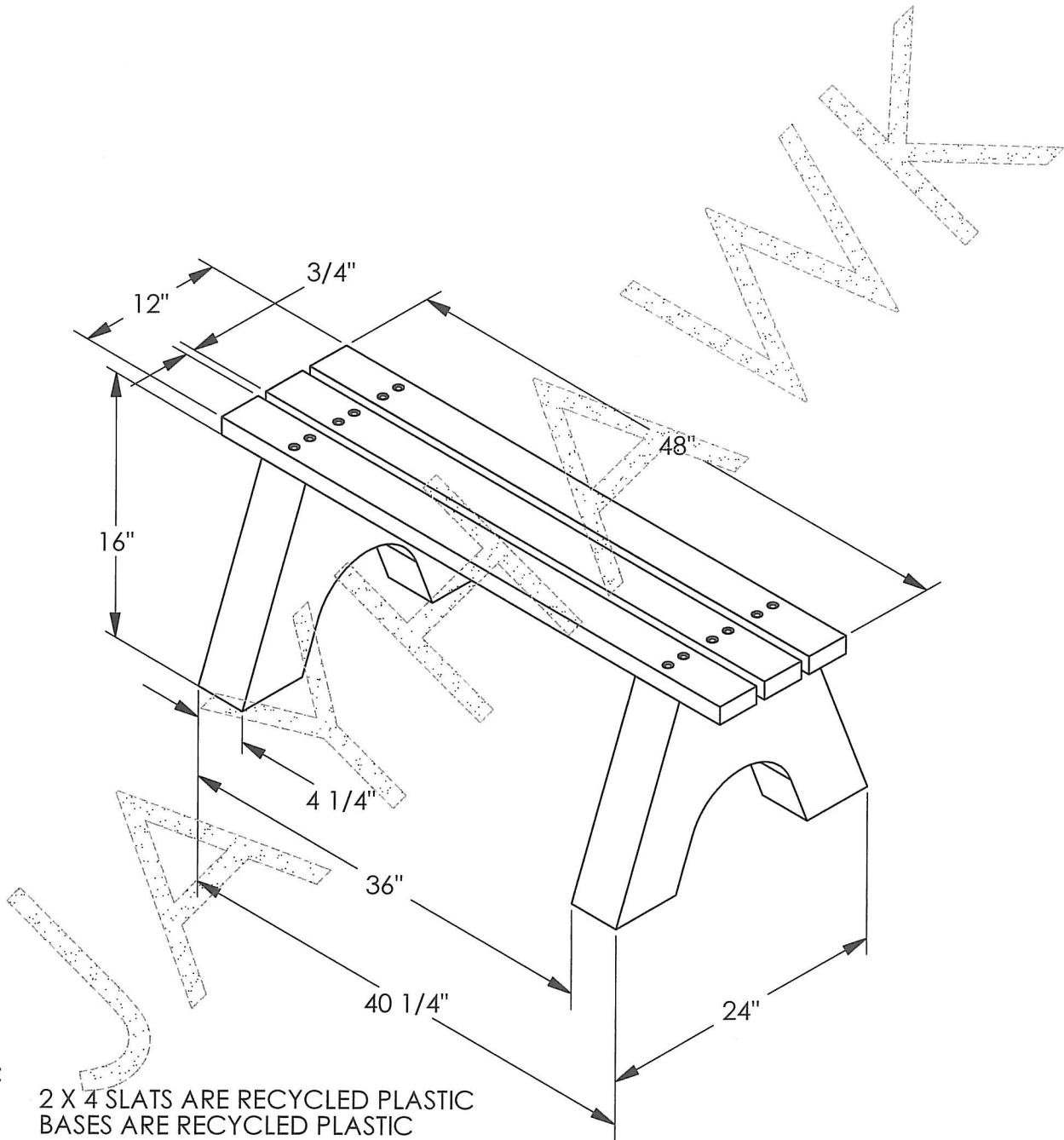


REV.	DESCRIPTION	BY	DATE	CHKD BY
A	RELEASE TO PRODUCTION	JWW	7/14/2006	JRS



NOTES:

- 2 X 4 SLATS ARE RECYCLED PLASTIC
- BASES ARE RECYCLED PLASTIC
- ALL HOLES PRE-DRILLED AND COUNTERSUNK
- ALL HARDWARE IS ZINC PLATED (1/4 X 3 1/2 LG. HEX HD. LAG SCREWS, WITH WASHERS)
- STAINLESS STEEL HARDWARE AVAILABLE
- UNIT WEIGHT APPROX. 75 LBS.

FURNITURE LEISURE INC

OUR LIST OF WEB STORES

www.FurnitureLeisure.com www.PoolFurnitureSupply.com
www.PicnicFurniture.com www.PicnicTableSupplier.com
www.ParkTables.com www.UBrace.com

1.800.213.2401

JPSB42	DRAWN	CHECKED	1.800.213.2401		
	JWW	JRS			
UNLESS OTHERWISE SPECIFIED DIMENSIONS ARE IN INCHES TOLERANCES: DECIMAL FRACTION OVERALL .XX±.03 ±1/16 120± 3/8 .XXX±.005 >120± 1	DESCRIPTION	SPORT 4' BENCH			
	JOB NUMBER	ASSEMBLY NUMBER	SCALE		
	STANDARD	-	3:32		
	DATE	DRAWING NO.	CAD FILE	SHEET	REV
7/12/06	PB 4__SPO-SPEC	PB 4__SPO	SHEET 1 OF 1	A	