

 **Furniture Leisure**
Commercial Site Furnishings

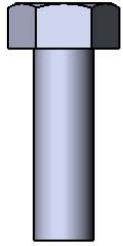
FurnitureLeisure.com PoolFurnitureSupply.com
PicnicFurniture.com PicnicTableSupplier.com
ParkTables.com UBrace.com

1-800-213-2401 | sales@furnitureleisure.com

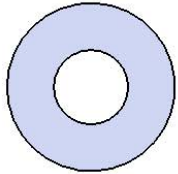


Model #
T46UL-3
T46UL-3ADA

HARDWARE



5/16" x 1"
Machine Bolt



5/16" Washer



5/16" Kep Nut

PRODUCT SPECIFICATIONS

T46UL-3 T46UL-3ADA 46" ACCESSIBLE PORTABLE TABLE WITH 3 SEATS

Top & Seats: 11 gauge die formed angle frame 1"x1-7/8" with 3" radius corners. 3/4" #9 steel expanded metal. 10 gauge x 1-1/2" flat bar center support and mounting bracket understructure. Top is additionally supported to the corners with 10 gauge x 1-1/2" flat bar. Electrically MIG welded.

Coating: Oven fused functionalized polyethylene copolymer-based thermoplastic. Fluidized bed coating application with superior mechanical performance, impact resistance and UV-stability.

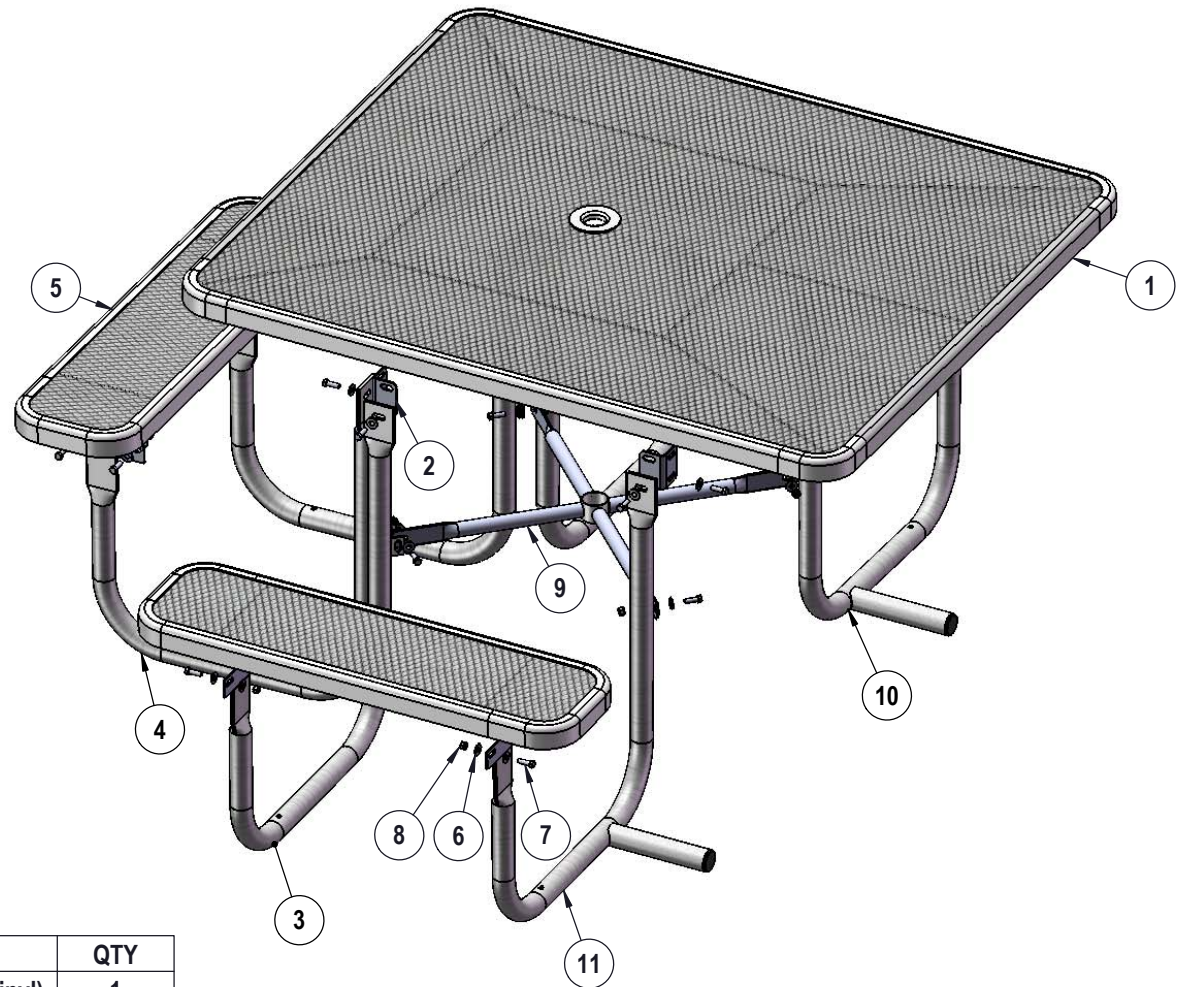
Frame: 1-5/8" O.D. x 14 gauge pre-galvanized structural steel tubing. Brace attachment points are 1-1/2"x2"x3/16" steel flat bar. Cross braces 1" O.D. x 16 gauge pre-galvanized structural steel tubing. Top is attached with 7 gauge 2"x2" die formed angle. Seat mounting points are 7 gauge x 1-1/2" die stamped steel flat bar. Legs are bent over a mandrel through the bend radius producing a wrinkle free bend. All electrically MIG welded.

Frame Coating: Electrostatic powder coated application oven cured.

Hardware: All stainless steel hardware fasteners.

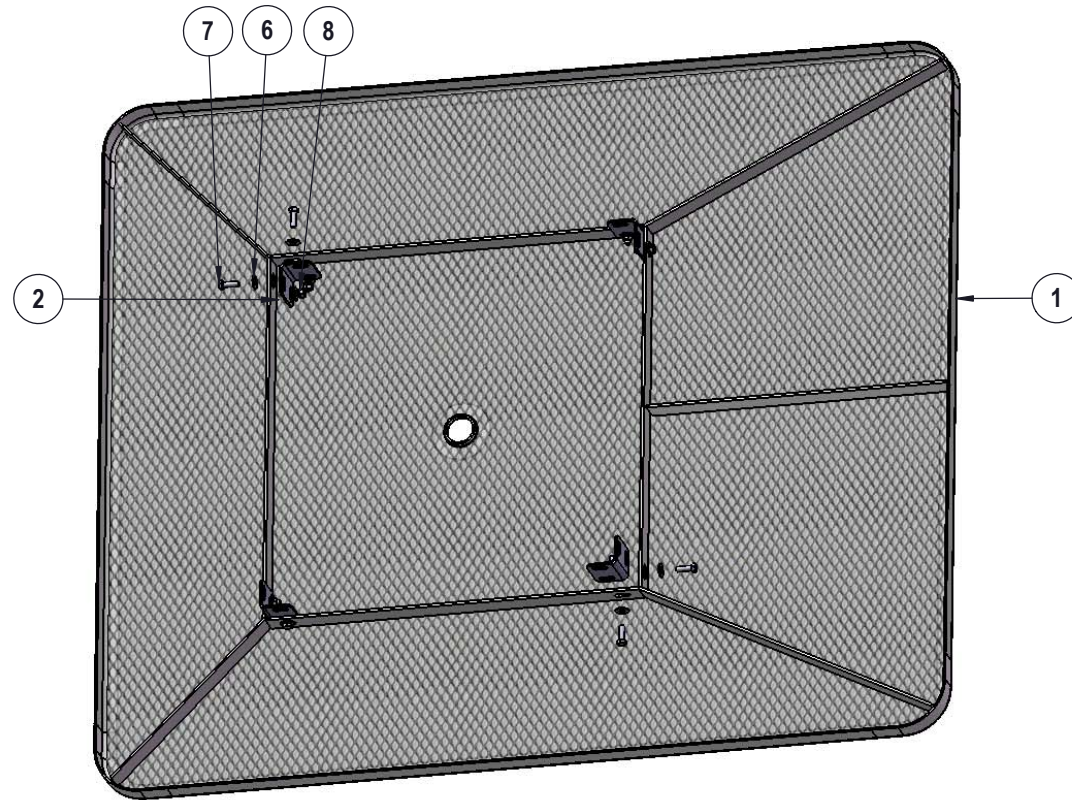
Dimensions: Top is 46" x 55" x 30" high. Seats are 10" wide x 36" long x 18-1/4" high. Outside to outside dimensions of 3 seat accessible table is 76-3/4" x 70".

COMPONENTS



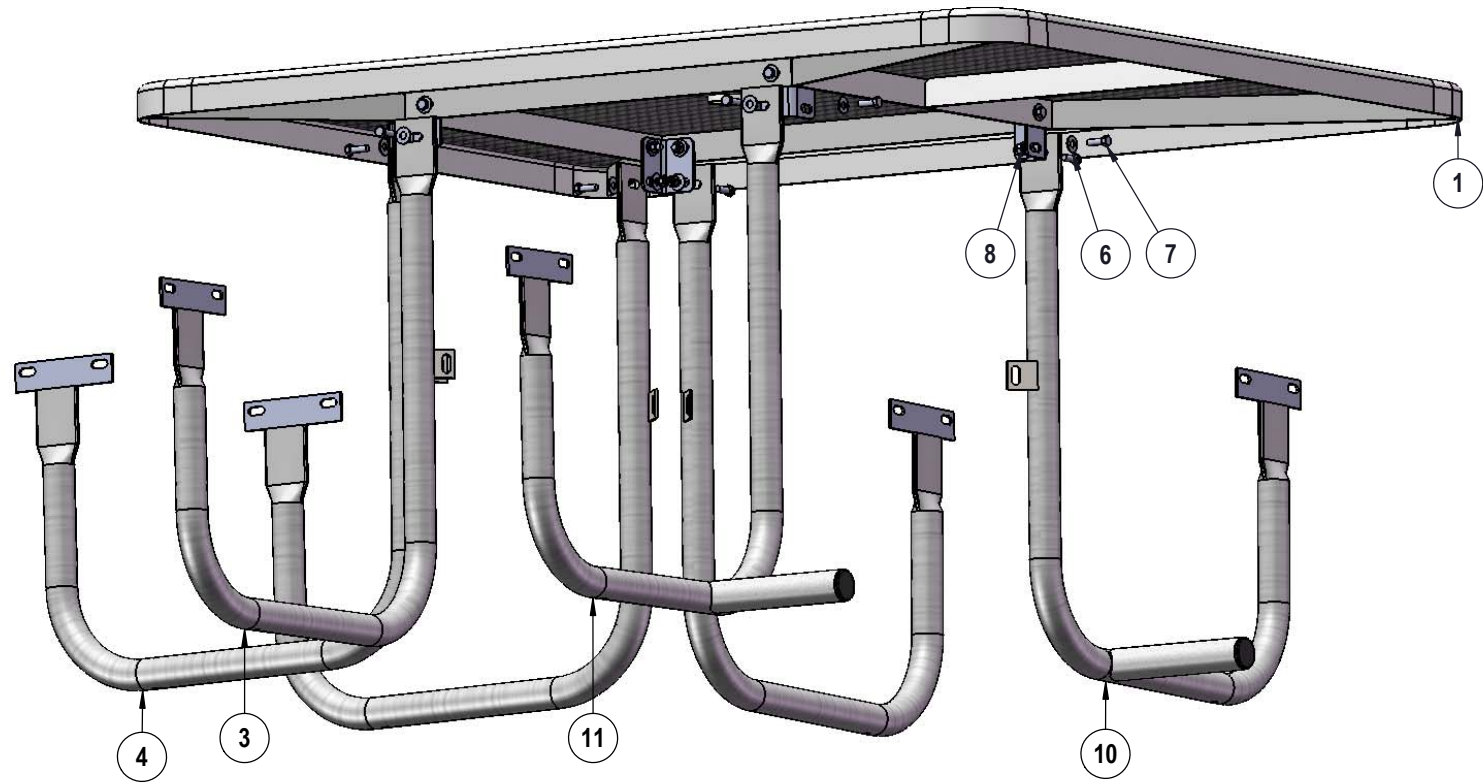
ITEM NO.	PartNo	DESCRIPTION	QTY
1	T-EV46H-T	46" Square Economy Handicap Top (Vinyl)	1
2	P-01-04-0121	358 Extension Tab	4
3	P-V358-L	358 Vinyl Leg L	2
4	P-V358-R	358 Vinyl Leg R	2
5	T-EV36-S	3' x 10" expanded seat	3
6	33-02-0007	5/16" SS Washer	64
7	33-05-0029	5/16" x 1" Machine Bolt (SS)	32
8	33-03-0012	5/16" Kep Nut (SS)	32
9	P-01-04-0122	358 Crossbrace w/ Umbrella Tube	1
10	P-01-04-0440	358 Vinyl Leg LH	1
11	P-01-04-0441	358 Vinyl Leg RH	1

STEP 1



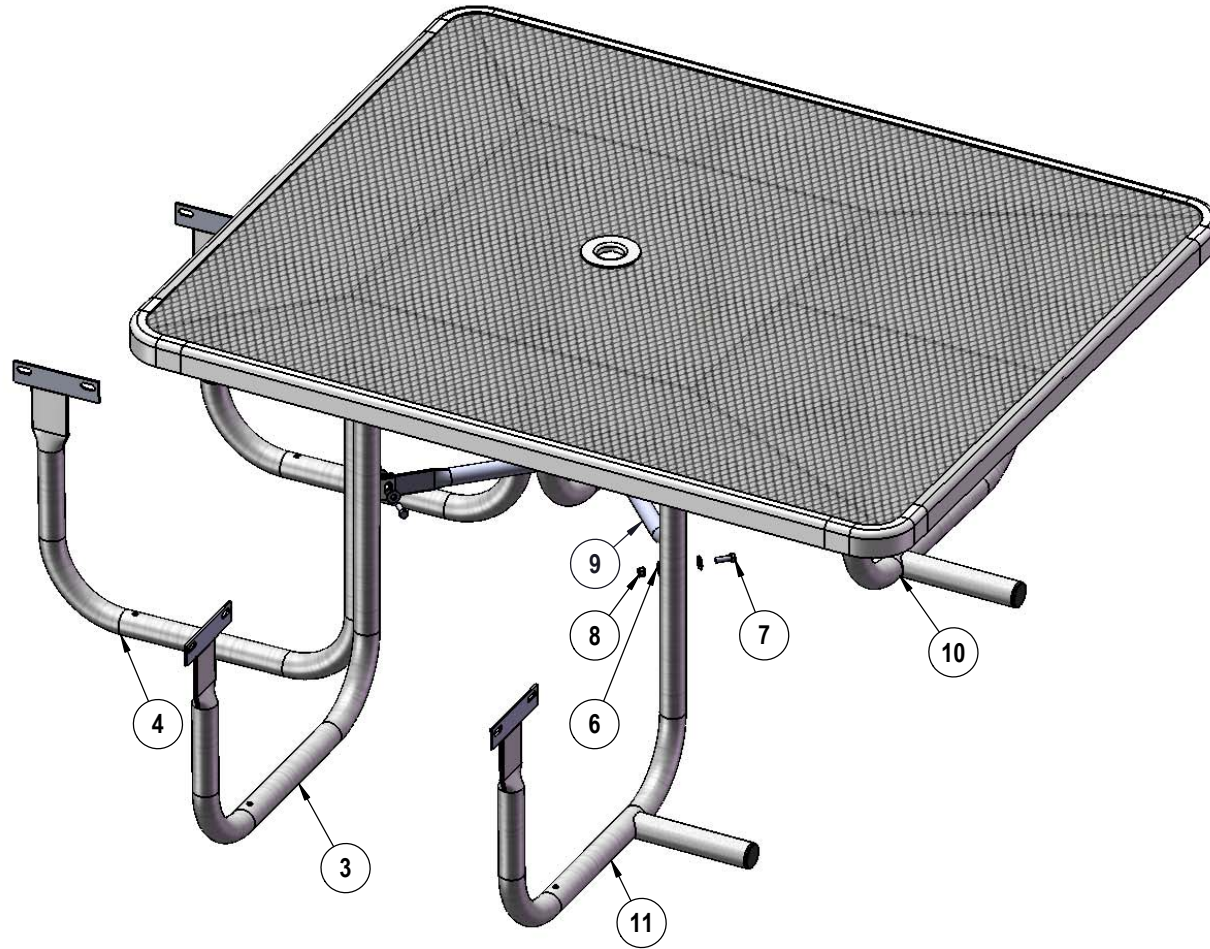
Attach the Extension Tabs to 46" Square Handicap Top using specified hardware.

STEP 2



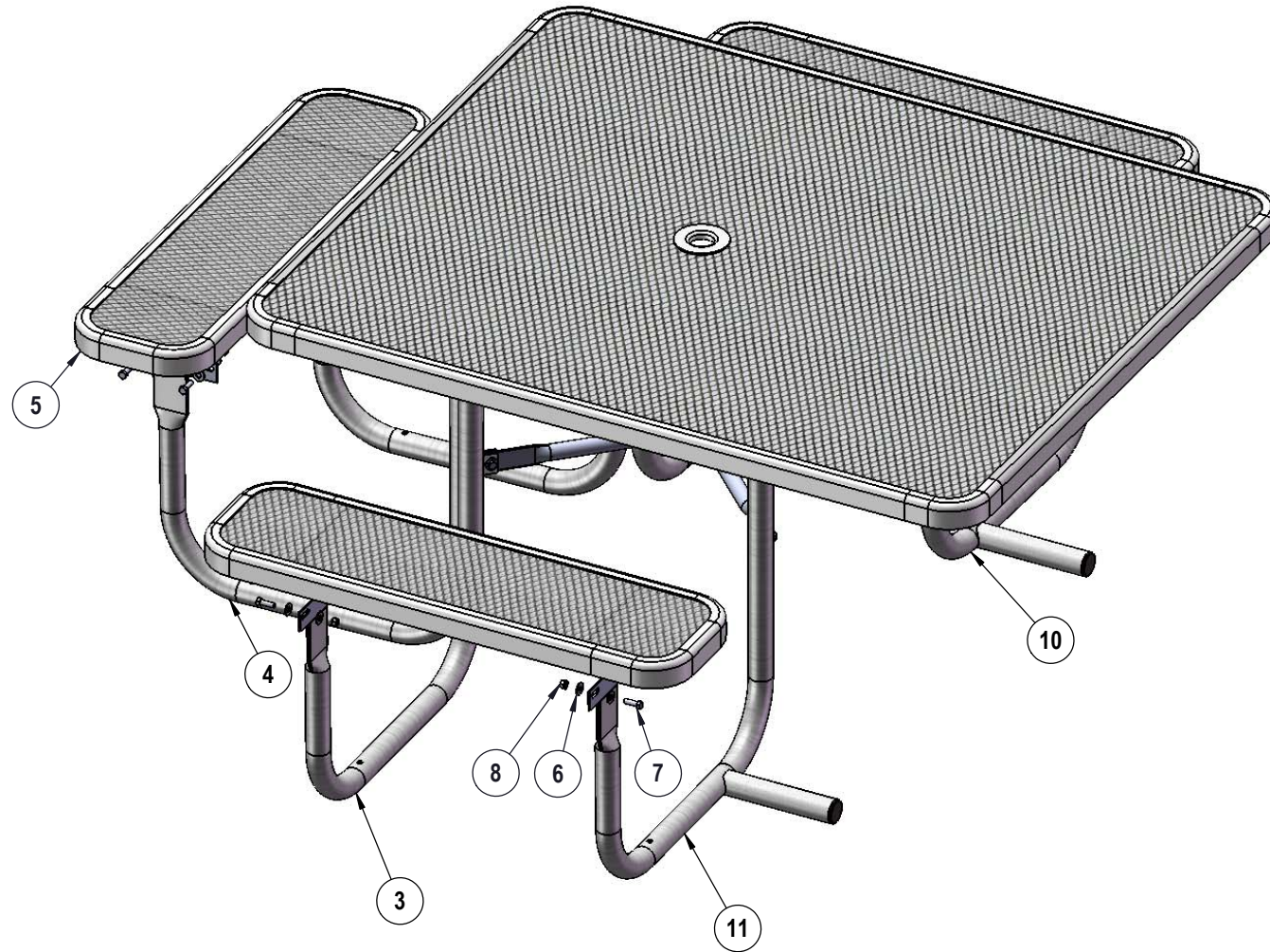
Attach the Legs to the outside of the Extension Tabs using specified hardware.

STEP 3



Attach the Crossbrace between the table legs as shown using specified hardware.

STEP 4



Attach the 3' Seats to the Legs using specified hardware.

OVERALL DIMENSIONS

