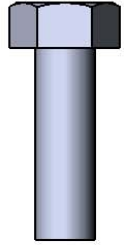
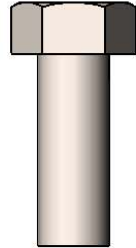


Model #
TS36AC

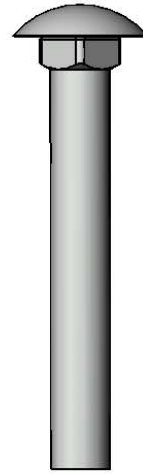
HARDWARE



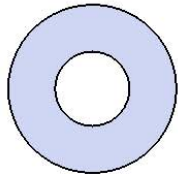
5/16" x 1"
Machine Bolt



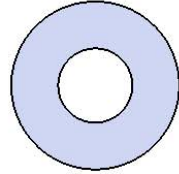
3/8" x 1"
Machine Bolt



5/16" x 2-1/4"
Carriage Bolt



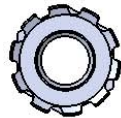
5/16" Washer



3/8" Washer

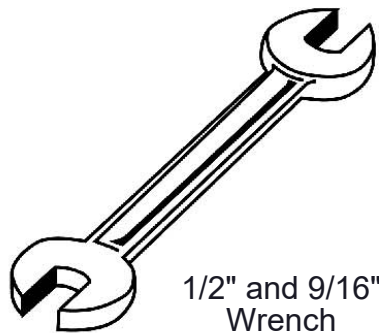


5/16" Kep Nut



3/8" Kep Nut

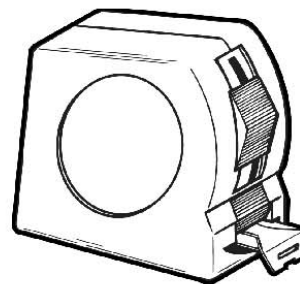
TOOLS REQUIRED



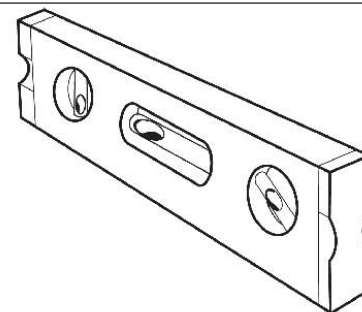
1/2" and 9/16"
Wrench



1/2" and 9/16"
Socket Wrench



Tape Measure



Level

PRODUCT SPECIFICATIONS

TS36AC ACADIA PORTABLE SOLID TABLE w/2 ROUND SEATS

Top & Seats: Top is 11 gauge steel flat, spun to form. The understructure/attachment plates are fabricated from 7 gauge x 1-1/2" flat bar. Seats are fabricated from 1-5/8" x 13ga steel tube and 1/4" flat steel plate with 1/4" flat steel understructure/attachment plates. All electrically MIG welded.

Coating: Steel is sandblasted to near white condition. Coated with zinc rich epoxy primer and top coated with electrostatic powder coat, oven cured.

Frame: Table Legs are 1-5/8" OD x 13ga steel tubing. Seat attachment points are 10 gauge precision punched tabs. Top attachment points are 10 gauge x 1-1/2" steel flat bar. All electrically MIG welded.

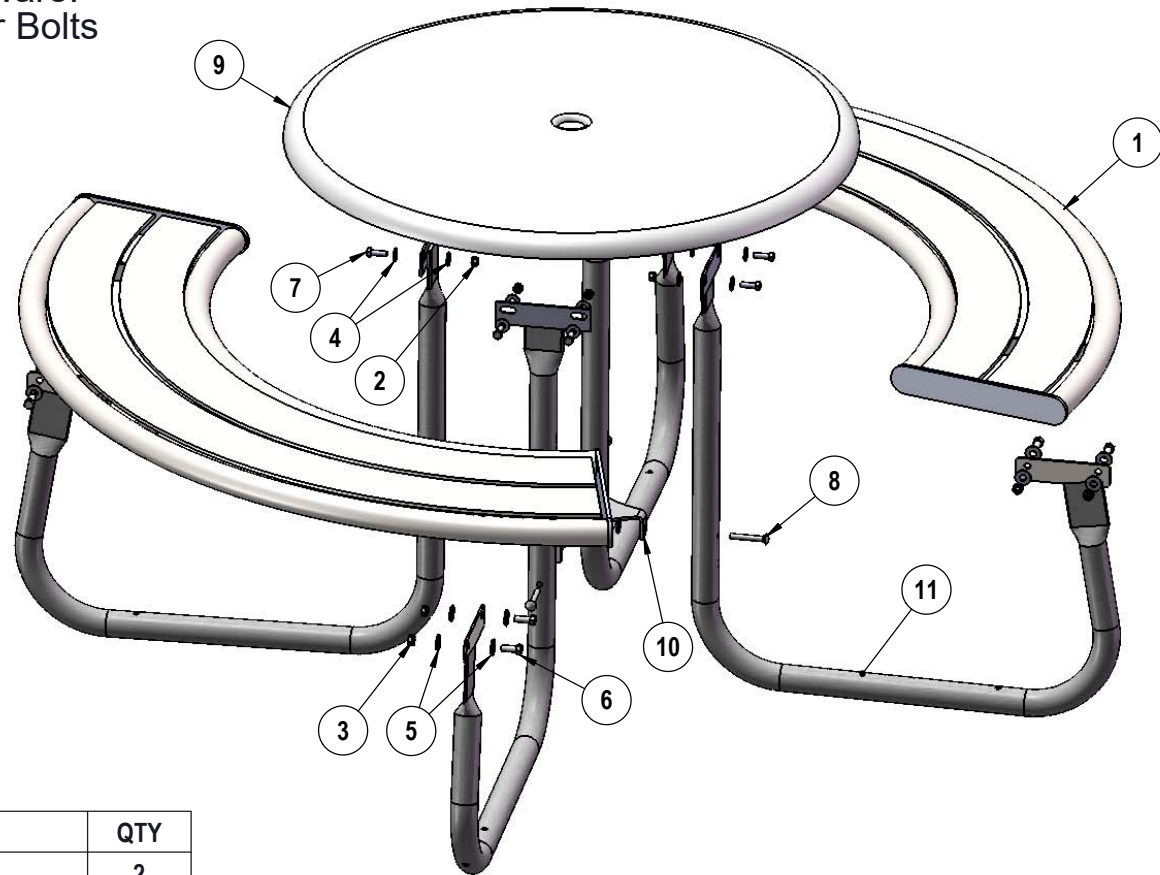
Frame Coating: Steel is sandblasted to near white condition. Coated with zinc rich epoxy primer and top coated with electrostatic powder coat, oven cured.

Hardware: All stainless steel hardware fasteners.

Dimensions: Top is 36" round x 30" high. Seats are 60" long x 12" wide x 18" high. Outside diameter of the 2 seat table is 68-1/2".

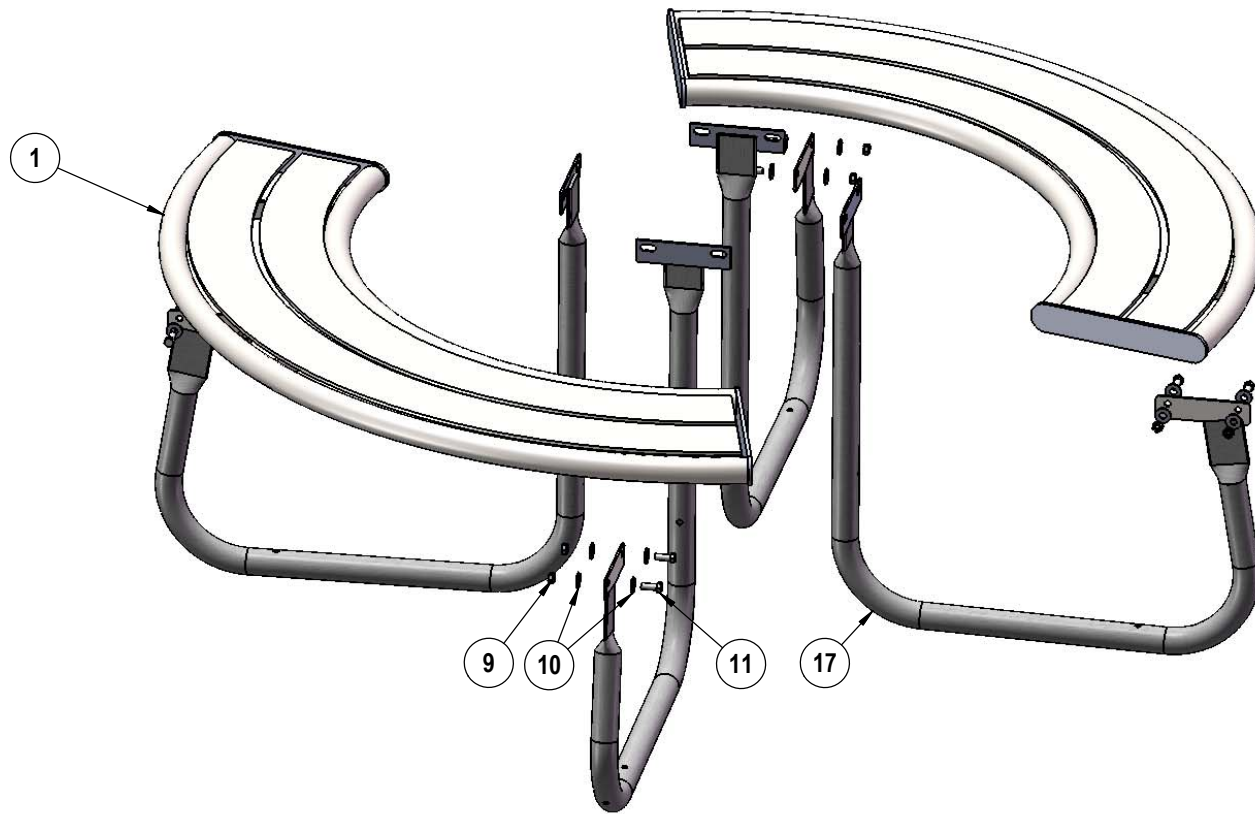
COMPONENTS

Recommended Surface Mount Hardware:
5/16" x 5" Concrete Expansion Anchor Bolts
(Not Included)



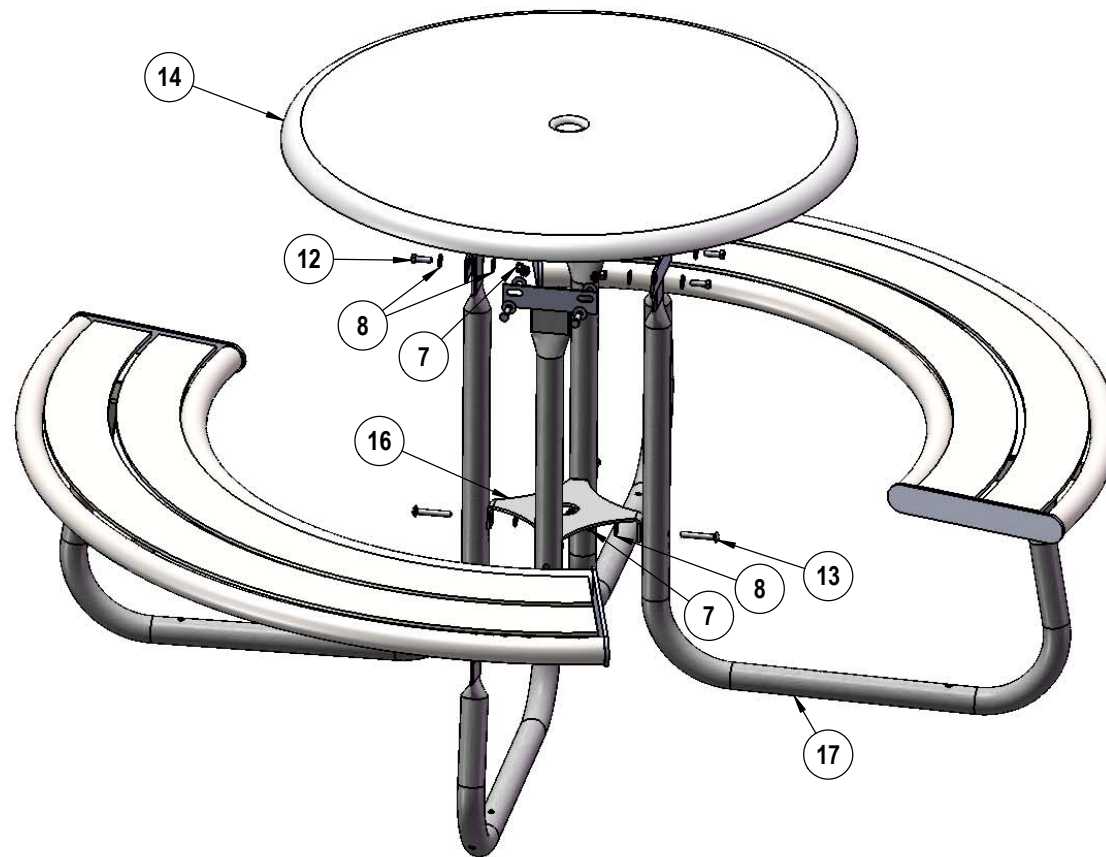
| ITEM NO. | PartNo | DESCRIPTION | QTY |
|----------|--------------|---|-----|
| 1 | P-01-04-0388 | Hartford Table Seat | 2 |
| 2 | 33-03-0012 | 5/16" Kep Nut (SS) | 12 |
| 3 | 33-03-0013 | 3/8" Kep Nut (SS) | 8 |
| 4 | 33-02-0007 | 5/16" SS Washer | 20 |
| 5 | 33-02-0008 | 3/8" Flat Washer (SS) | 16 |
| 6 | 33-06-0056 | 3/8" x 1" Machine Bolt (SS) | 8 |
| 7 | 33-05-0029 | 5/16" x 1" Machine Bolt (SS) | 8 |
| 8 | 33-06-0053 | 5/16" x 2-1/4" Carriage Bolt (SS) | 4 |
| 9 | P-SN36-TU | 36" Round Solid Spun Top with umbrella hole | 1 |
| 10 | P-01-04-0078 | Spreader plate | 1 |
| 11 | P-01-04-0402 | Hartford Leg- Welded | 4 |

STEP 1



Attach the Seats to the Table Legs using the specified hardware.

STEP 2



Attach the Spun top and Spreader Plate to the Table Legs using the specified hardware.

OVERALL DIMENSIONS

