

Model #
B5WBCLASSIC-KKSTD
B5WBCLASIC-KKCTRD

PRODUCT SPECIFICATIONS

B5WBCLASSIC 5 Ft. Classic Buddy Bench With Back

Seats: Seat is fabricated from a 11ga laser cut plate. Seat is supported with 11ga plates. All electrically MIG welded.

Coating: Oven fused functionalized polyethylene copolymer-based thermoplastic. Fluidized bed coating application with superior mechanical performance, impact resistance and UV-stability.

Frame: Legs are cast aluminum.

Frame Coating: Electrostatic powder coated application oven cured.

Dimensions: 5' bench without back. Seats are 26-1/2" wide x 60" long. Seat height is 16-1/2". Overall dimensions are 26-1/2" x 64" x 33-3/16".



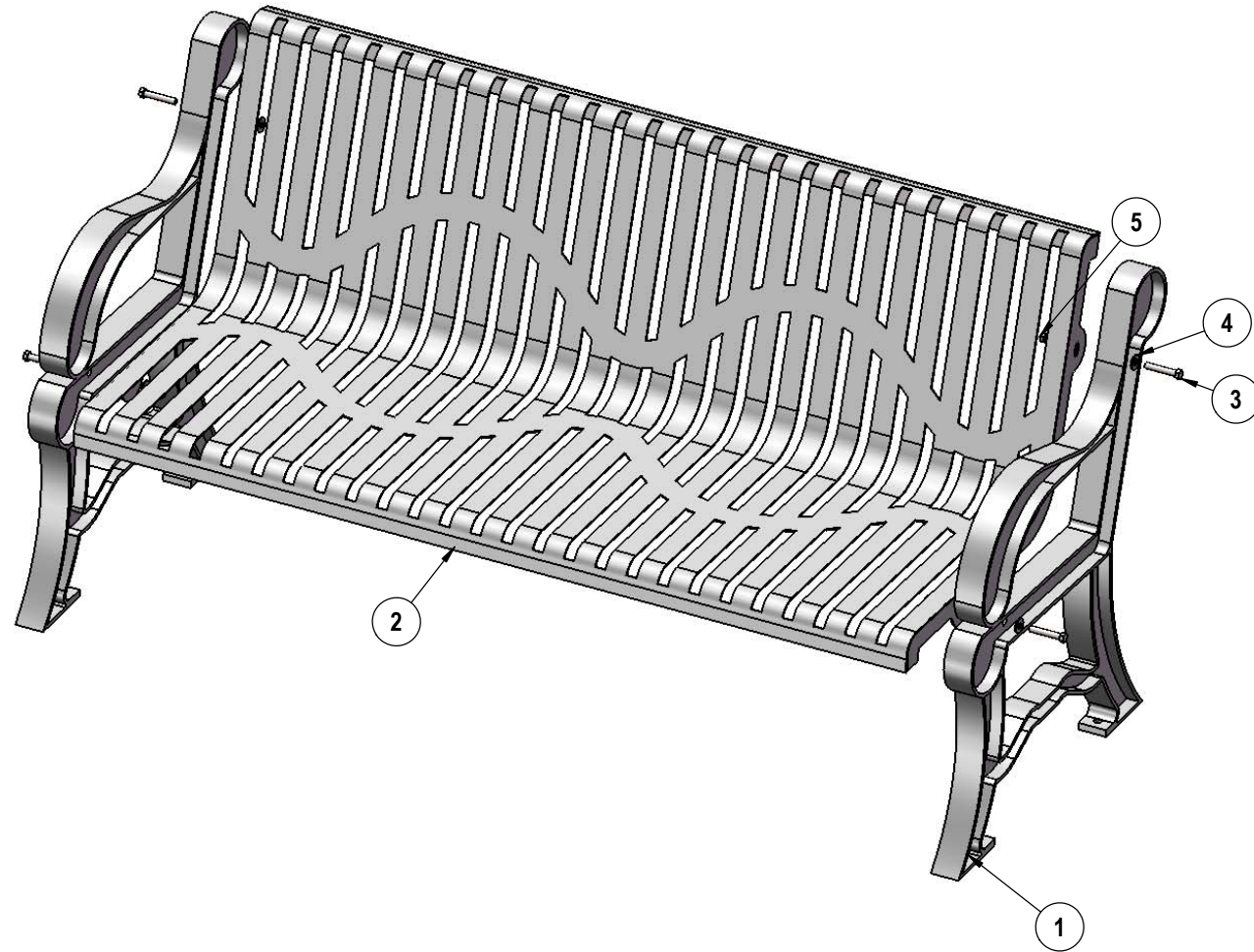
Kind Kids Standard



Kind Kids Centered

COMPONENTS

Attach the legs to the seat as shown using specified hardware.



ITEM NO.	PartNo	DESCRIPTION	QTY
1	FBWBVILLA	Finished Villa Frame (coated)	2
2	S5WBCLASSIC	Seat for B5WBCLASSIC	1
3	33-05-0059	3/8" x 2 1/4" Machine Bolt (SS)	4
4	33-02-0008	3/8" Flat Washer (SS)	8
5	33-03-0013	3/8" Kep Nut (SS)	4

OVERALL DIMENSIONS

