

# Fairfield

Model # 8801

## Fairfield 40in Tall Planter



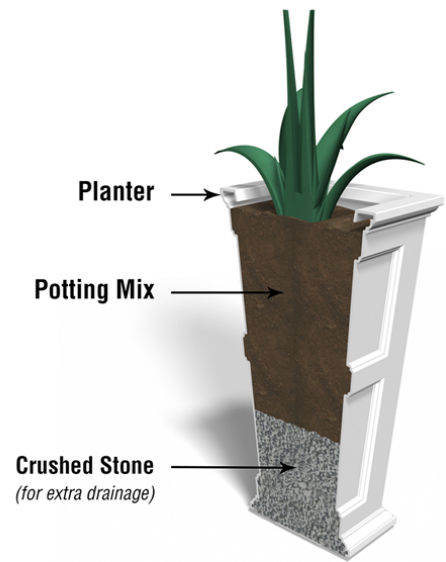
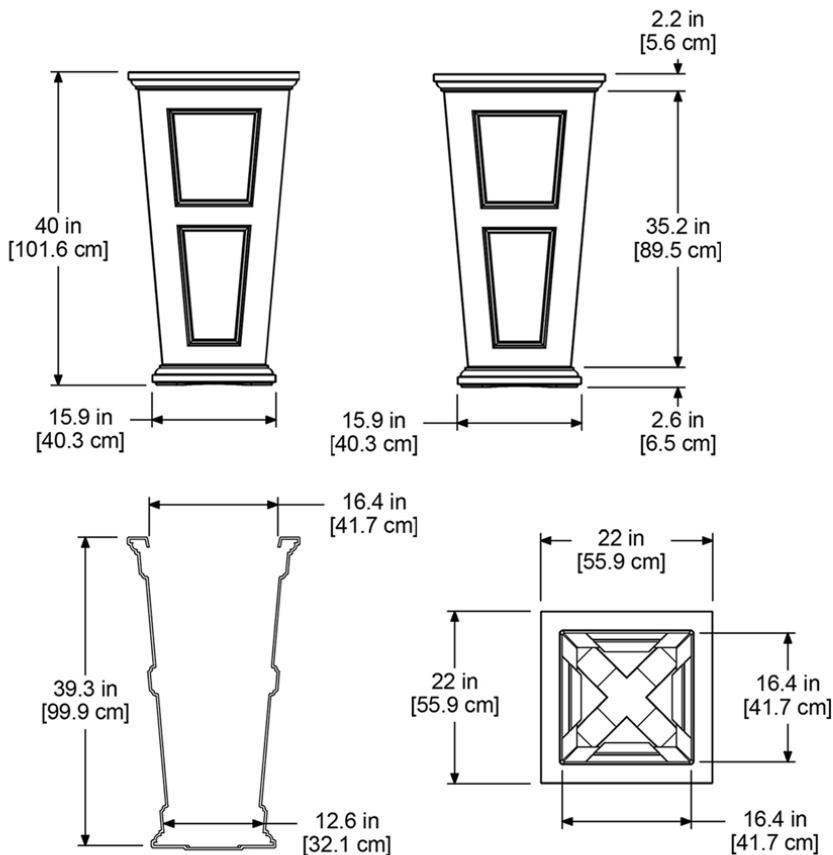
### DESCRIPTION

Enjoy the classic charm of The Fairfield Tall Patio Planter. Have the look of wood without the upkeep with our high-grade polyethylene planters. Long-lasting beauty, durability and quality. This planter is a perfect architectural accent to any indoor or outdoor space. Make a statement!

- Commercial grade thickness for added strength
- Textured finish for increased durability
- Weather resistant, low maintenance material
- Single wall design with rolled rim for a clean, finished appearance
- 100% high-grade polyethylene planter with UV inhibitors
- Warranty: 15-Yr Residential Use / 5-Yr Commercial Use

### PRODUCT DIMENSIONS

**Outside Dimensions:** 22in L x 22in W x 40in H (55.9cm x 55.9cm x 101.6cm)  
**Inside Dimensions:** 16.4in L x 16.4in W x 39.3in D (41.7cm x 41.7cm x 99.9cm)  
**Soil Capacity:** 40 Gallons (151 Liters)  
**Wall Thickness:** 0.28in (7mm)  
**Part Weight:** 35lbs (15.9kg)  
**Material:** Polyethylene



**MAYNE**<sup>®</sup>  
Outdoor Products of Distinction

7024 Kilbourne Rd - Unit A  
London, ON N6P 1K6  
866-363-8834 | gomayne.com  
customerservice@gomayne.com