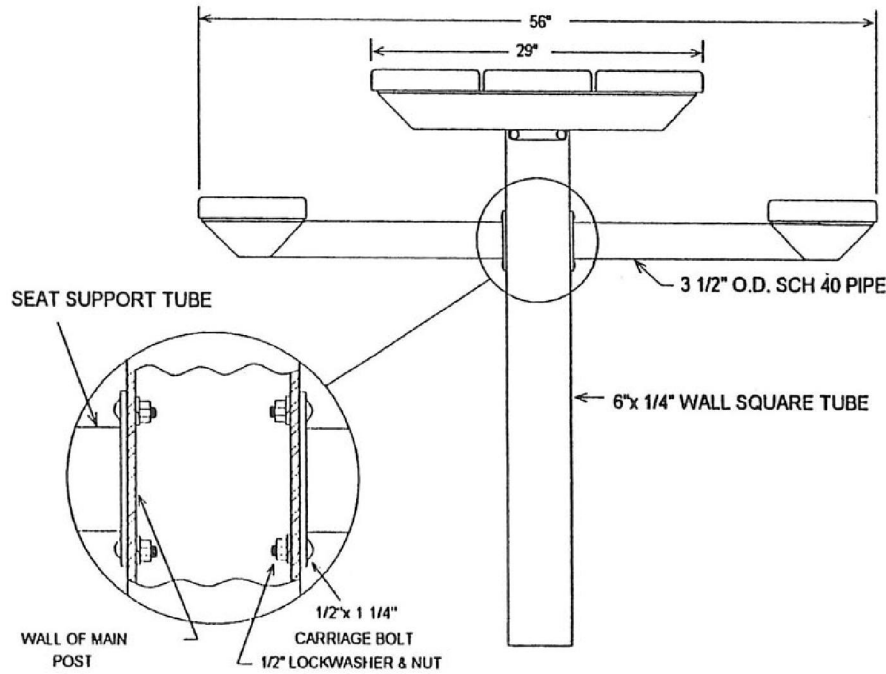


# FURNITURE LEISURE INC

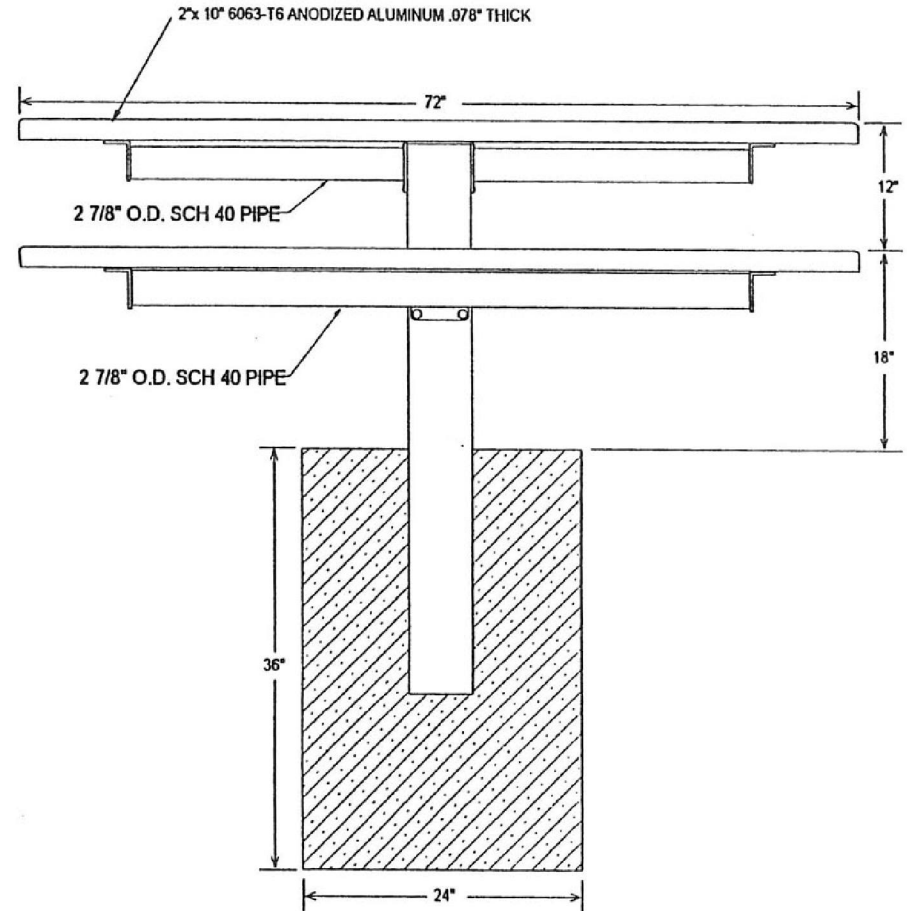
1.800.213.2401 | SALES@FURNITURELEISURE.COM

FurnitureLeisure.com  
PicnicFurniture.com  
ParkTables.com

PoolFurnitureSupply.com  
PicnicTableSupplier.com  
UBrace.com



OUTSIDE ONLY SMOOTH CARR. BOLT HEADS ARE EXPOSED  
THE LOCKWASHERS & NUTS ARE ON THE INSIDE OF THE MAIN POST  
SO WHEN THE TABLE IS FULLY ASSEMBLED THEY ARE NOT ACCESSIBLE



THE SIZE OF THE CONCRETE BASE IS ONLY A SUGGESTION  
YOUR LOCAL SOIL CONDITIONS SHOULD DETERMINE WHAT  
IS NECESSARY TO ENSURE A STABLE MOUNTING