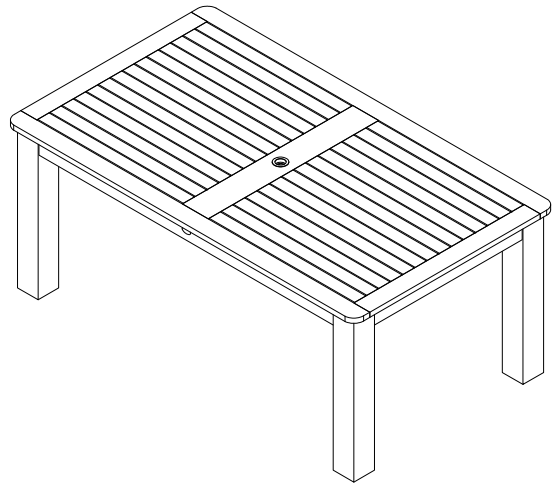


Dining Collection

Rectangular, Square, or Sideboard Tables

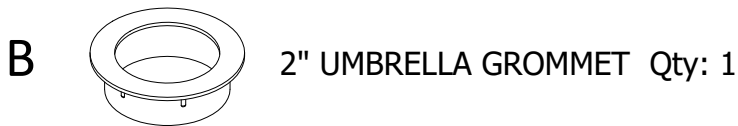
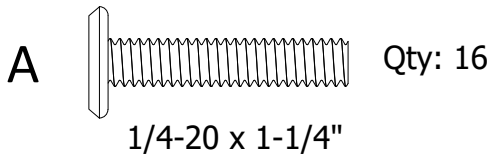
Assembly Guide



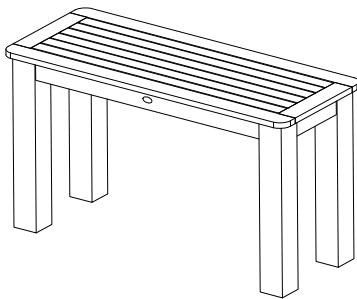
IMPORTANT!

DO NOT fully tighten the bolts until all bolts are started.
Once all bolts are inserted, go back & tighten all the bolts.

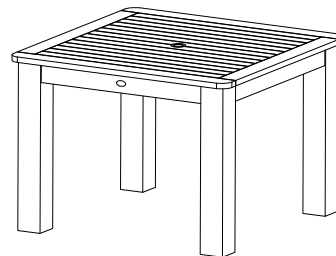
HARDWARE INCLUDED



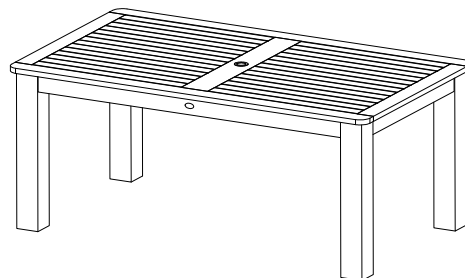
TOOLS INCLUDED



CM-DTB25/CM-CTB25 - 25X54 SIDEBOARD
DINING OR COUNTER HEIGHT SIDEBOARD TABLE



CM-DTB44/CM-CTB44 - 42X42 SQUARE
DINING OR COUNTER HEIGHT DINING TABLE



CM-DTB47/CM-CTB47 - 42X72 RECTANGULAR DINING OR COUNTER HEIGHT DINING TABLE
CM-DTB48/CM-CTB48 - 42X84 RECTANGULAR DINING OR COUNTER HEIGHT DINING TABLE

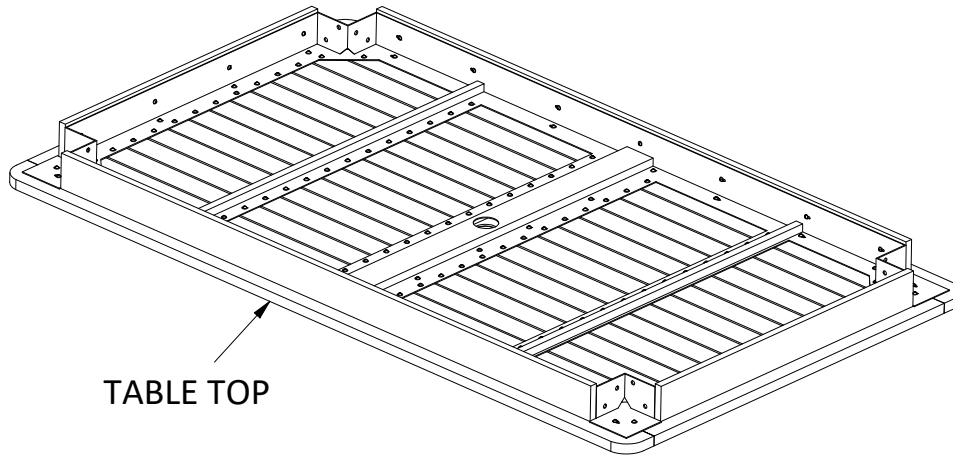


SEQUOIA
PROFESSIONAL
by **highwood**

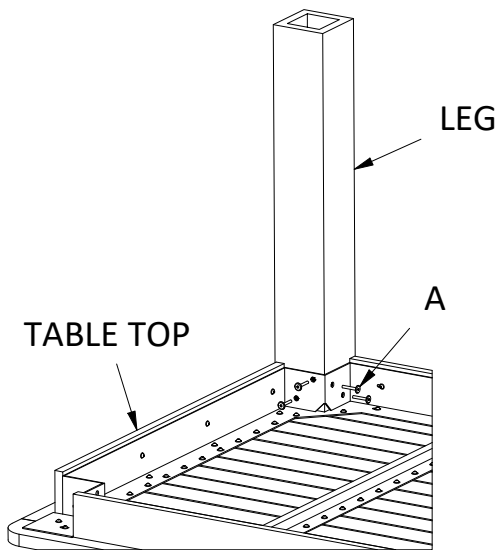
For information on Care and Cleaning or to Register your
SEQUOIA PROFESSIONAL product by *highwood*[®], please visit
www.highwood-usa.com.

ALL CM-TBT
4.1.2022

PAGE 1 OF 2

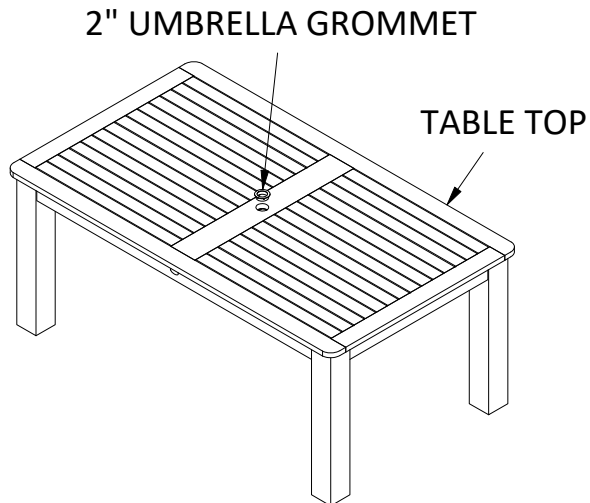


1) Place the Table Top upside down on a soft surface.



2) Attach Leg to Table Top with (4) A Bolts as shown.

3) Repeat for each Leg.



4) If installing an umbrella, insert the 2" UMBRELLA GROMMET in the center hole of the Table Top.

