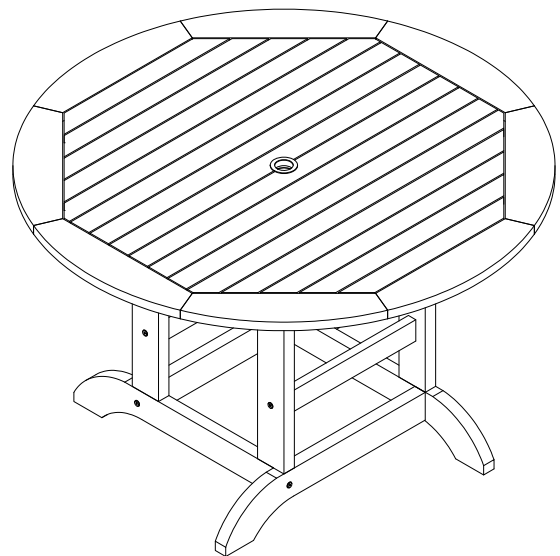


Dining Collection

Round Tables

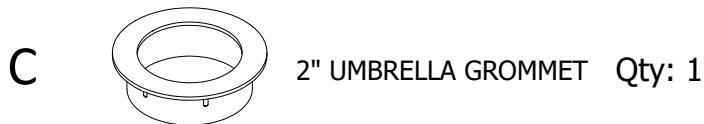
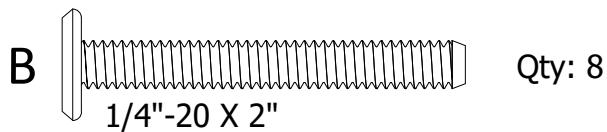
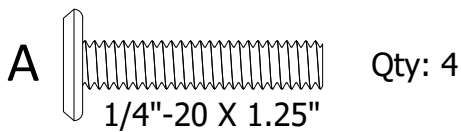
Assembly Guide



IMPORTANT!

DO NOT fully tighten the bolts until all bolts are started. Once all bolts are inserted, go back & tighten all the bolts.

HARDWARE INCLUDED

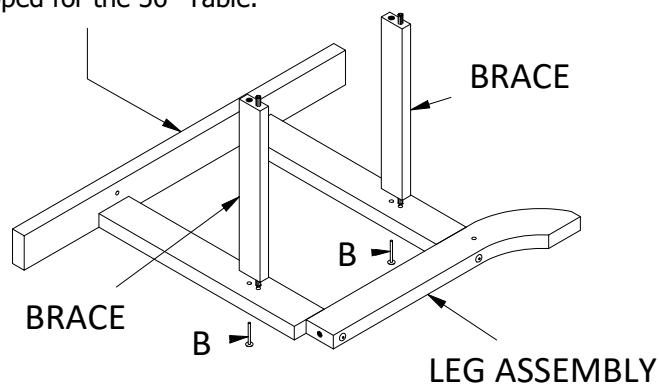


TOOLS INCLUDED

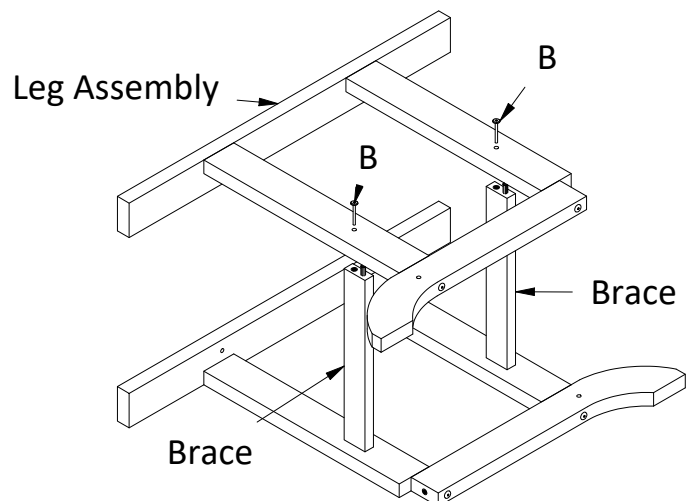


Pedestal Assembly

The Top Support on the Leg Assembly will look like this for the 48" Table and will be flipped for the 36" Table.



1) Attach the (2) Braces to the Leg Assembly with (2) B Bolts.



2) Attach the Leg Assembly to the (2) Braces with (2) B Bolts.

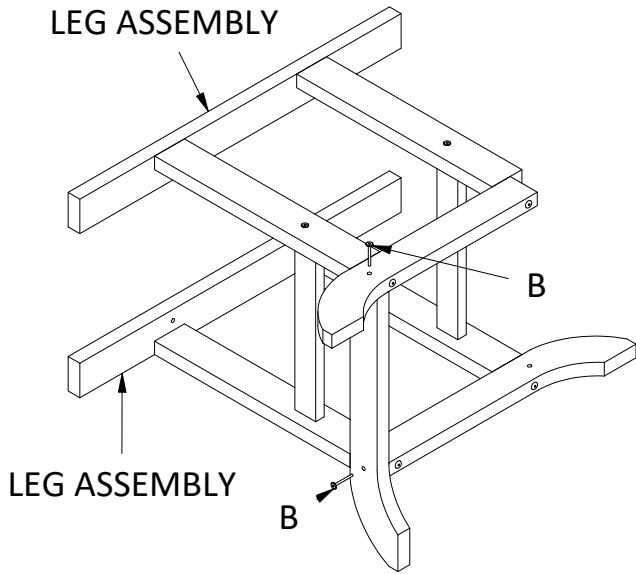


SEQUOIA
PROFESSIONAL
by **highwood**

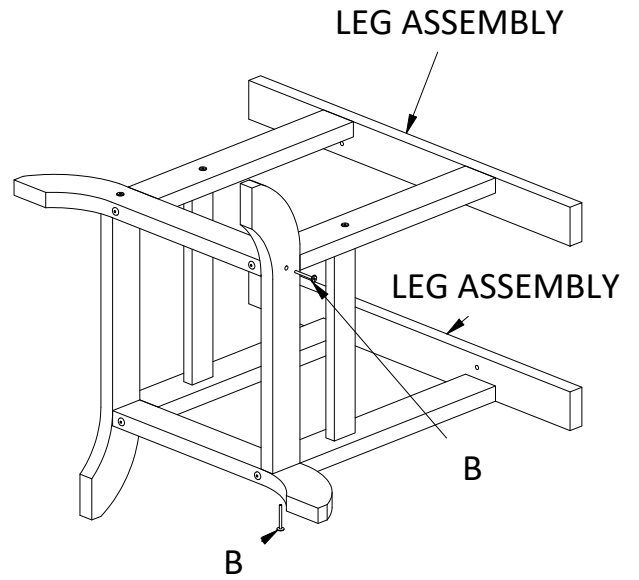
For information on Care and Cleaning or to Register your SEQUOIA PROFESSIONAL product by *highwood*[®], please visit www.highwood-usa.com.

CM-DTRSQ36_48 | CM-CTRSQ36_48
01.20.2022

Pedestal Assembly

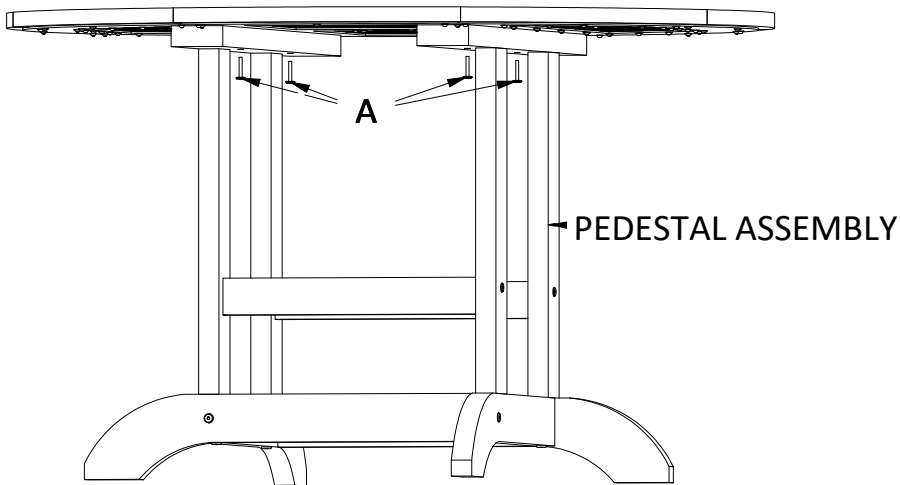


3) Attach the Foot to both of the Leg Assemblies with (2) B Bolts.

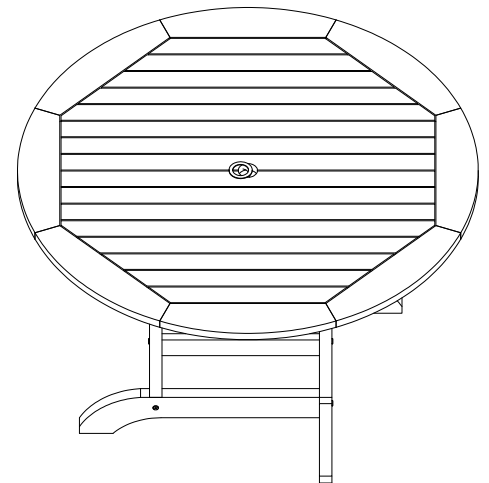


4) Attach the Foot to both of the Leg Assemblies with (2) B Bolts.

Overall Table Assembly



5) Place the Table Top Assembly on the Pedestal Assembly and attach together using (4) A Bolts.



6) Place the 2" UMBRELLA GROMMET in the center hole of the Table Top Assembly.



SEQUOIA
PROFESSIONAL
by **highwood**

For information on Care and Cleaning or to Register your SEQUOIA PROFESSIONAL product by *highwood*[®], please visit www.highwood-usa.com.

CM-DTRSQ36_48 | CM-CTRSQ36_48
01.20.2022