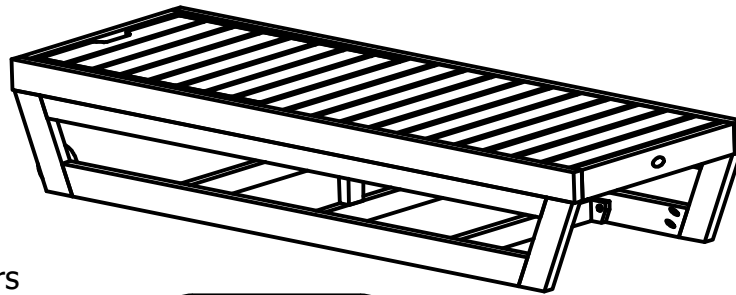
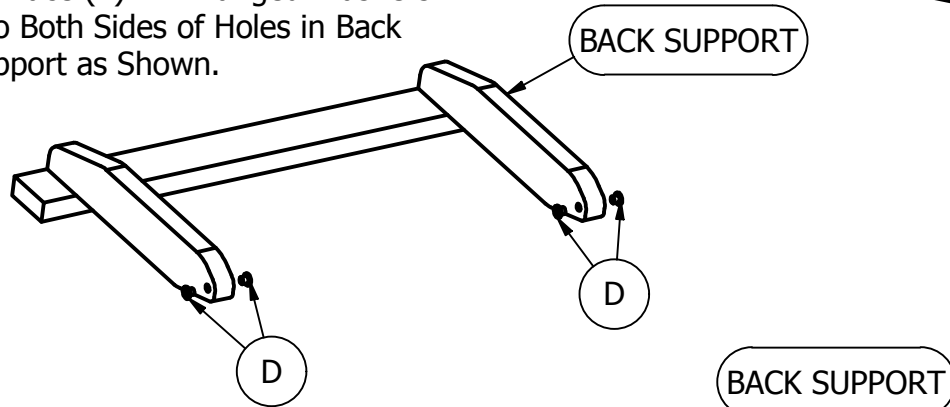


# Sequoia Professional Pinehurst Chaise Lounge

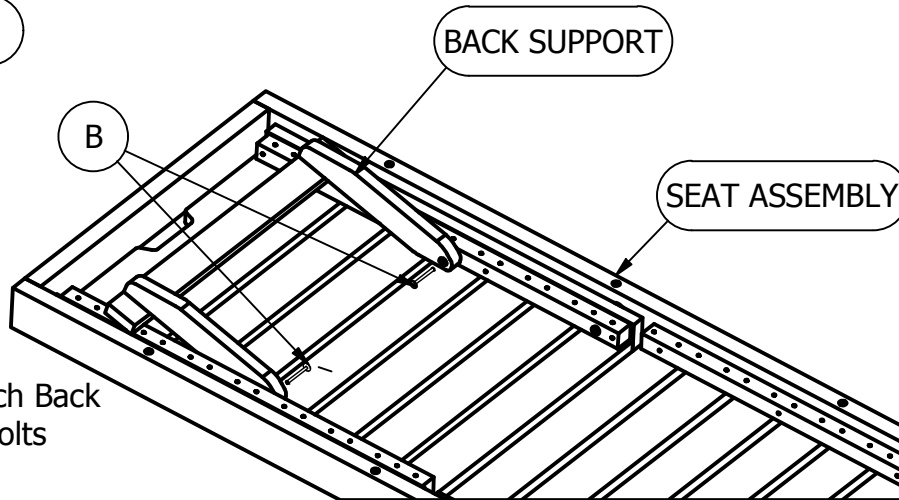
## Assembly Guide



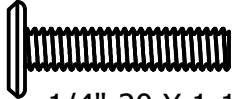
**1)** Place (4) "D" Flanged Washers into Both Sides of Holes in Back Support as Shown.

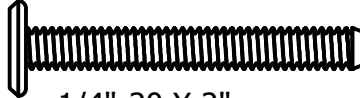



**2)** With Seat Assembly Facing Downward, Attach Back Support Using (2) "B" Bolts as Shown.




### HARDWARE

A  x16  
1/4"-20 X 1-1/4"

B  x2  
1/4"-20 X 2"

C  x8  
1/4"-20 X 3"

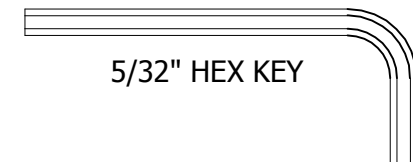
D  x4  
Flanged Washer

### **IMPORTANT!**

DO NOT fully tighten the bolts until all bolts are started. Once all bolts are inserted, go back & tighten all the bolts.

Retain these instructions for future reference

### INCLUDED TOOLS



SEQUOIA  
PROFESSIONAL  
by highwood®

For information on Care and Cleaning or to register your SEQUOIA PROFESSIONAL product by highwood®, please visit [www.highwood-usa.com](http://www.highwood-usa.com).

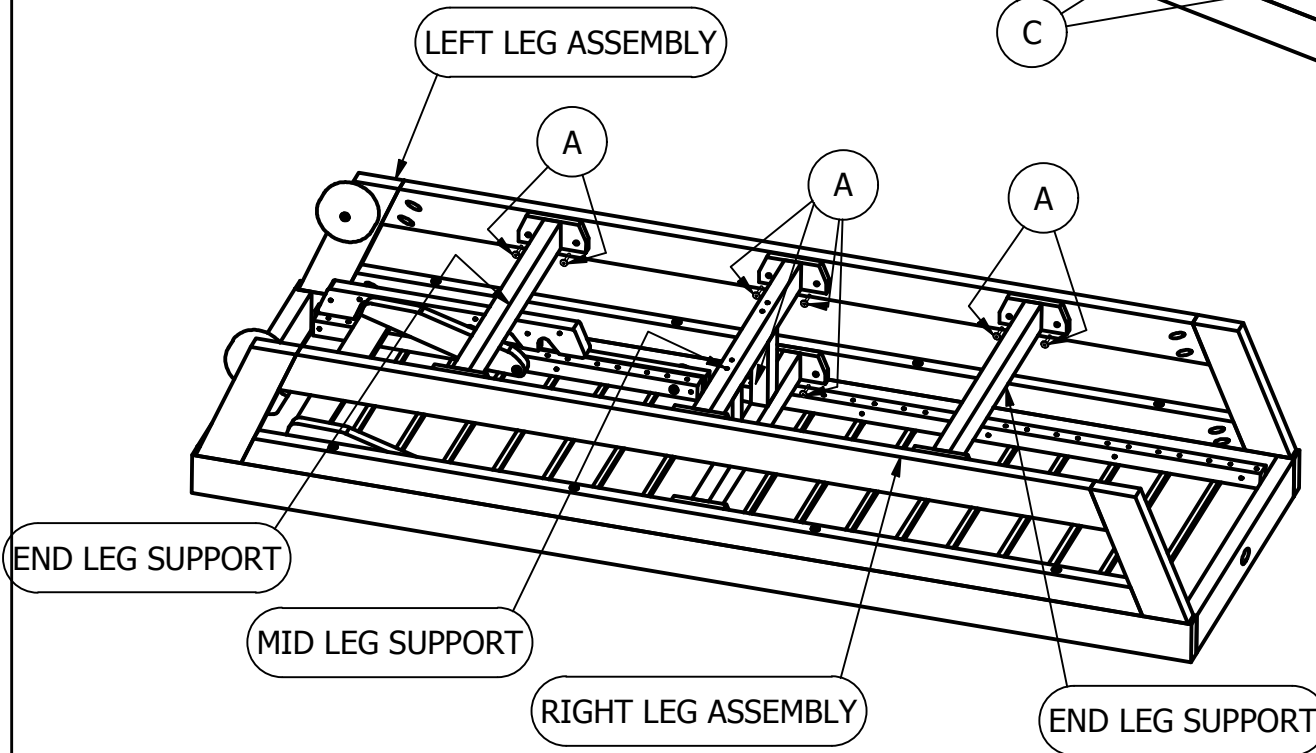
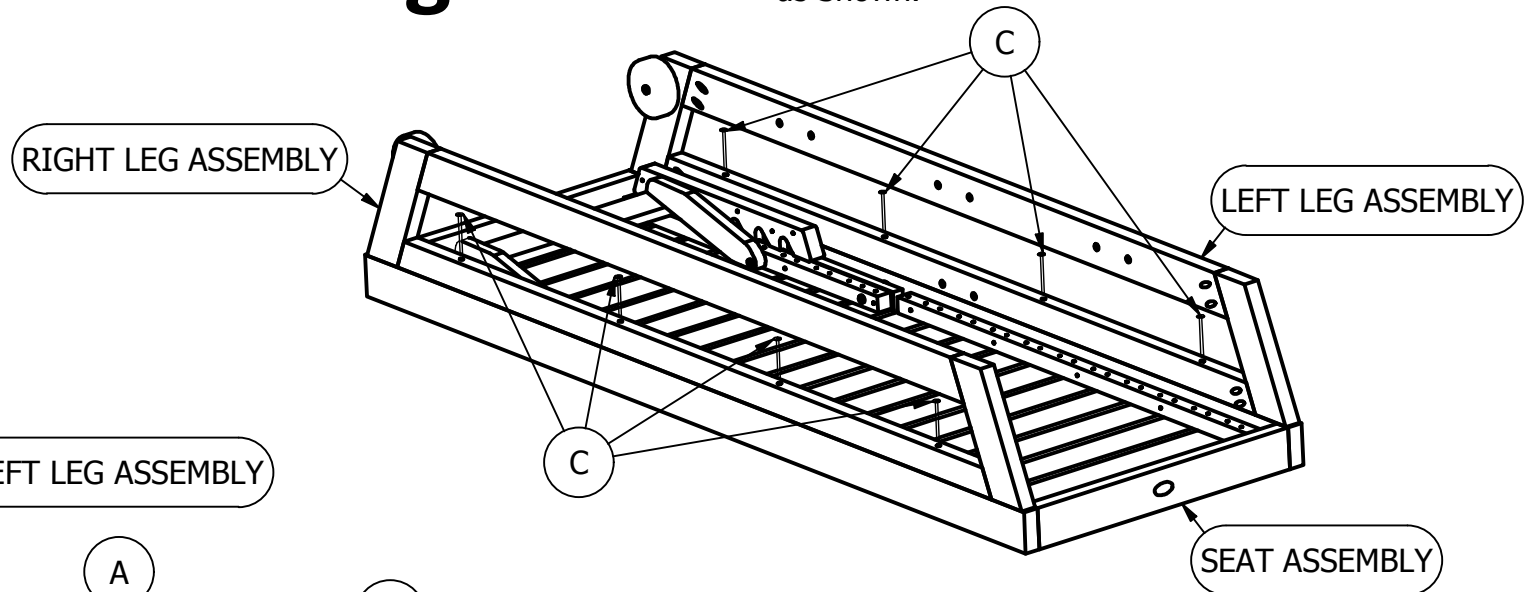
CM-LNGSQ61  
03.05.19

PAGE 1 OF 2

# Sequoia Professional Pinehurst Chaise Lounge

## Assembly Guide

**3)** Attach Right & Left Leg Assemblies to Seat Assembly Using (8) "C" Bolts as Shown.



**4)** Attach Mid Leg Support to Left Leg Assembly Using (4) "A" Bolts.

**5)** Attach Each End Leg Support to Left Leg Assembly Using (2) "A" Bolts.

**6)** Repeat Steps 4 & 5 for Right Leg Assembly & Tighten All Bolts.

**7)** With Help From Another Person, Rotate Lounge Into the Upright Position.



SEQUOIA  
PROFESSIONAL  
by highwood®

For information on Care and Cleaning or to register your SEQUOIA PROFESSIONAL product by *highwood*®, please visit [www.highwood-usa.com](http://www.highwood-usa.com).

CM-LNGSQ61  
03.05.19

PAGE 2 OF 2