



Furniture Leisure
Commercial Site Furnishings
1-800-213-2401 | Sales@FurnitureLeisure.com



Model #
T30CAFESM

PRODUCT SPECIFICATIONS

T30CAFESM 30" Round Table

Top: Die formed angle frame 2" x 3/4" x .125". 3/4" #9 steel expanded metal. 1-1/2" x 1/4" flat bar center support and mounting bracket understructure. Top is additionally supported to the corners with 7 gauge x 1-1/2" flat bar. Electrically MIG welded.

Coating: Oven fused functionalized polyethylene copolymer-based thermoplastic. Fluidized bed coating application with superior mechanical performance, impact resistance and UV-stability.

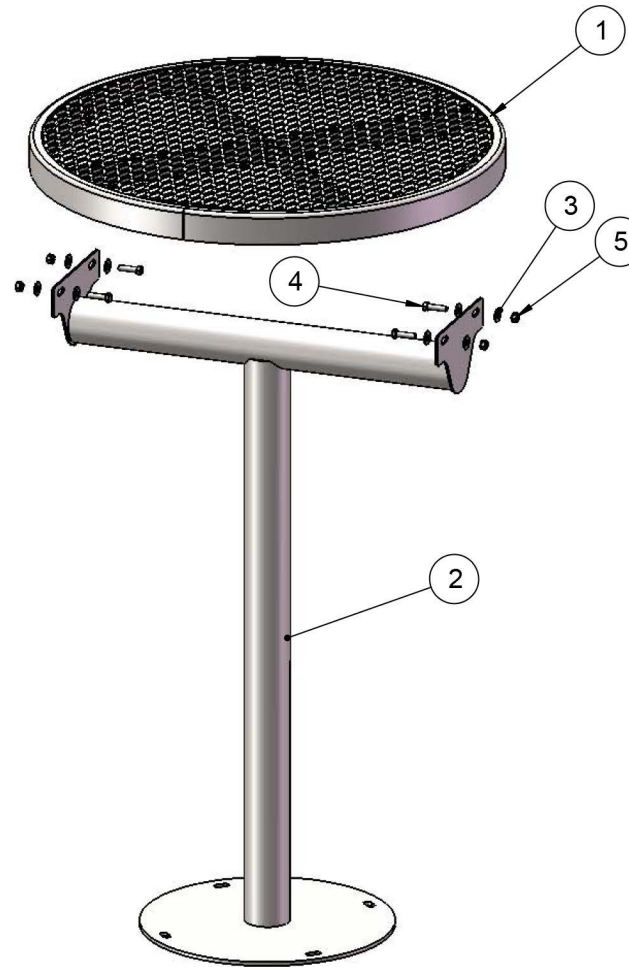
Frame: 2-7/8" O.D. x 12 gauge pre-galvanized structural steel tubing. Top mounting bracket is 10ga laser cut steel plate. Surface mount plate is 1/4" thick steel plate. All electrically MIG welded.

Coating: Electrostatic powder coated application oven cured.

Dimensions: Overall dimensions are 42" tall x 29-3/4" round top.

COMPONENTS

Attach the 30" round top to the frame as shown using specified hardware.



Required surface mount hardware:
3/8" x 3" concrete expansion anchor bolts (not included)

ITEM NO.	PartNo	DESCRIPTION	QTY.
1	01-04-0773	Top, 30" Round without umbrella hole	1
2	01-04-0780	SRP café table frame, SM	1
3	33-02-0007	5/16" SS Washer	8
4	33-05-0028	5/16" x 1 1/4" Machine Bolt (SS)	4
5	33-03-0012	5/16" Kep Nut (SS)	4

OVERALL DIMENSIONS

