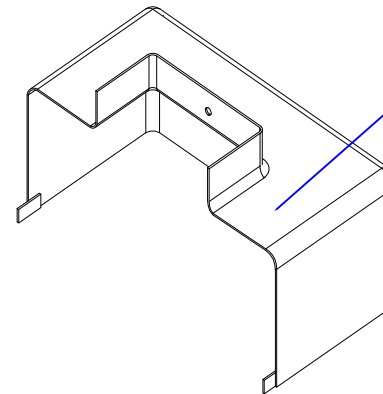
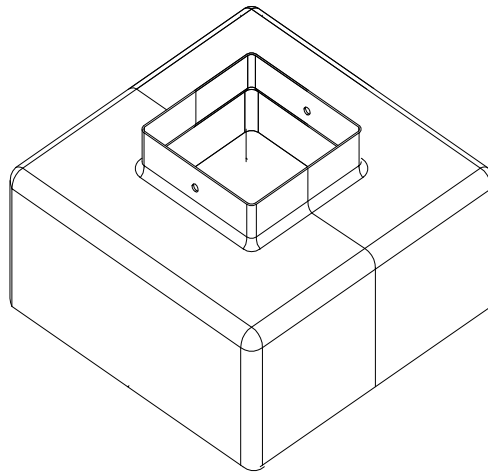


MODEL: Base Cover Detail

Order #: BC001



Half Section 2 Per Shoe Attach Using X4 1/4" Tek Screws Per Column

ASTM A-36 Sheet Steel
Factory Formed &
Powder Coated

Structure Anchoring
System Concealed By
Base Plate Cover

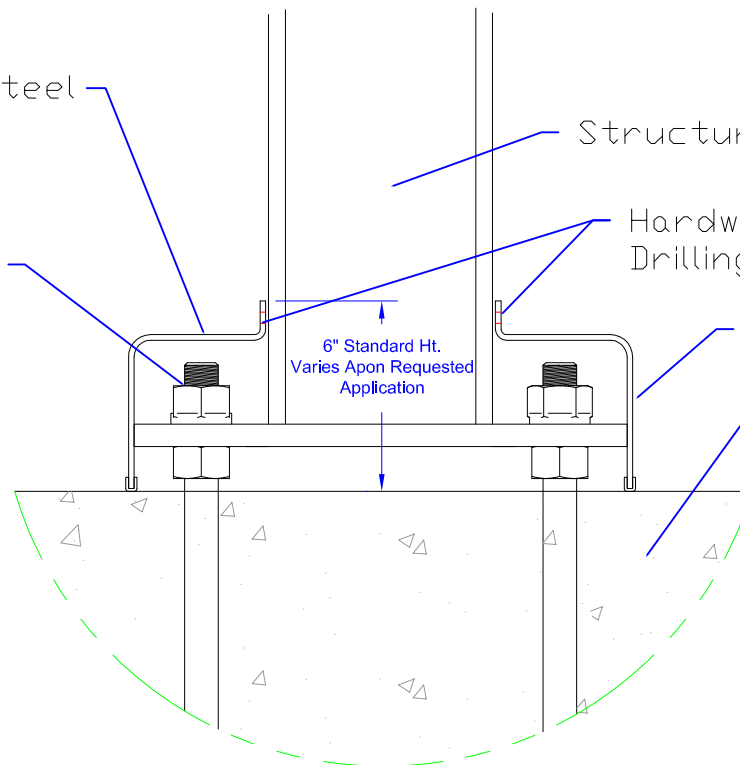
Structure Column

Hardware Location 1/4" Self
Drilling Tek Screw Locations x2

Proposed Base Cover

Finished Grade (NIC)

6" Standard Ht.
Varies Upon Requested
Application



 **Furniture Leisure**
Commercial Site Furnishings

FurnitureLeisure.com PoolFurnitureSupply.com
PicnicFurniture.com PicnicTableSupplier.com
ParkTables.com UBrace.com

1-800-213-2401 | sales@furnitureleisure.com