

# Kobi

Model # 8888

## Kobi 38in Tall Planter



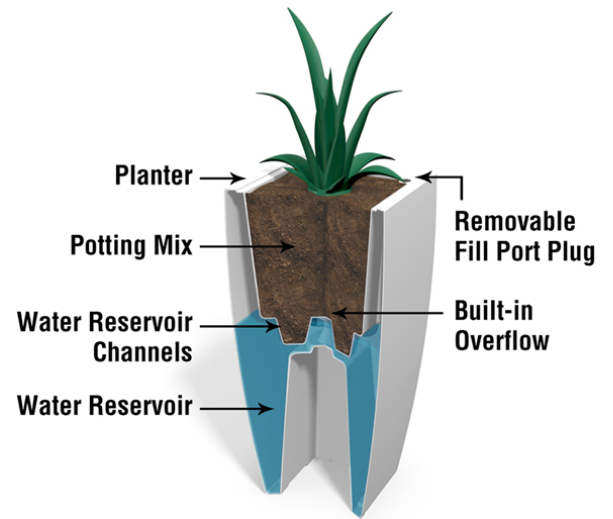
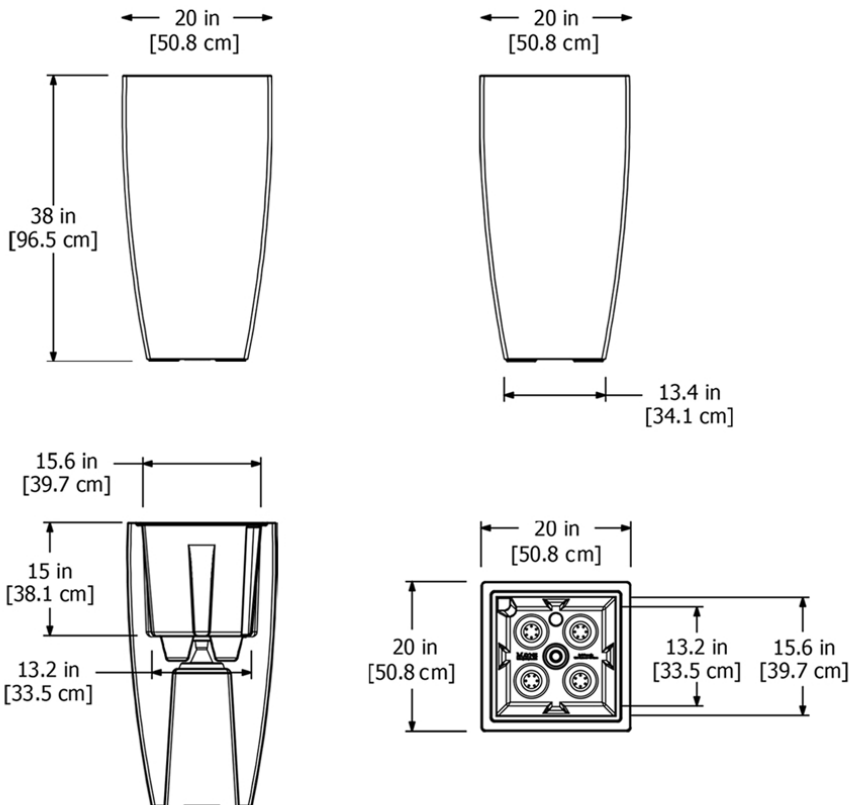
### DESCRIPTION

The Kobi 38in Planter exemplifies modern sophistication. The smooth shape and clean lines allow this planter to fit perfectly into a variety of décor settings.

- Textured finish for increased durability
- Double wall design with built-in circular water reservoir channels
- Removable fill port plug for direct access to water reservoir
- Hidden overflow drainage (*optional plug for indoor use*)
- Weather resistant, low maintenance material
- 100% high-grade polyethylene with built in UV inhibitors
- Warranty: 5-Yr Commercial Use

### PRODUCT DIMENSIONS

**Outside Dimensions:** 20in L x 20in W x 38in H (50.8cm x 50.8cm x 96.5cm)  
**Inside Dimensions:** 15.6in L x 15.6in W x 15in D (39.7cm x 39.7cm x 38.1cm)  
**Soil Capacity:** 12.8 Gallons (48.5 liters)  
**Water Reservoir Capacity:** 19 Gallons (72 liters)  
**Part Weight:** 23.5lbs (10.7kg)  
**Material:** Polyethylene



**MAYNE<sup>®</sup>**  
CONTRACT

7024 Kilbourne Rd - Unit A London, ON N6P 1K6  
Tel: 866-363-8834 | [www.gomayne.com](http://www.gomayne.com)  
[customerservice@gomayne.com](mailto:customerservice@gomayne.com)