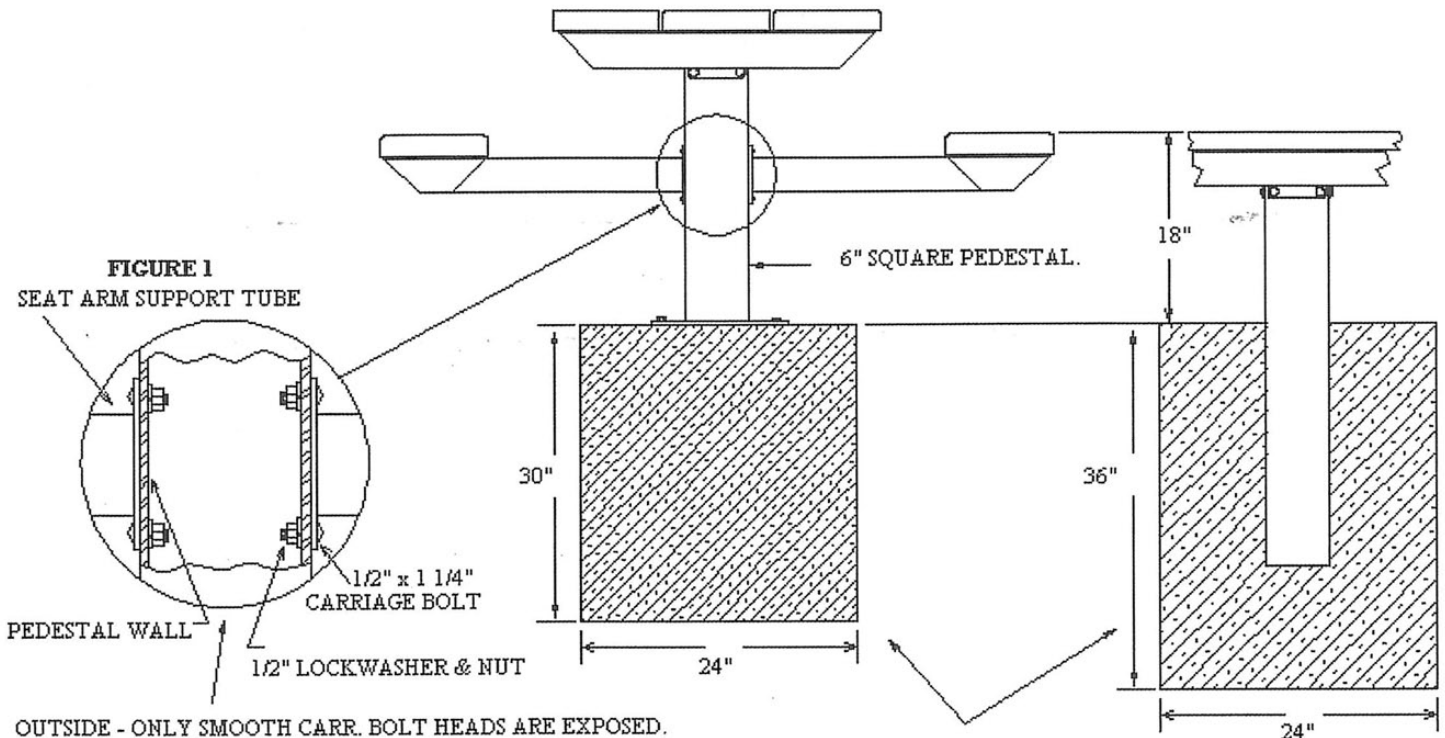


1. THE PEDESTAL SHOULD BE SECURED TO THE CONCRETE. NOTICE THE DISTANCE FROM THE SEAT TO THE GROUND.
  2. ATTACH THE SEAT ARMS TO THE PEDESTAL. SEE FIG. 1 BELOW.
  3. ATTACH THE TOP ARMS TO THE TOP OF THE PEDESTAL.
  4. NOW ATTACH THE SEAT AND TOP PLANKING. SEE FIG. 2 BELOW FOR HARDWARE.
- NOTE: THE VINYL PLASTIC & FIBERGLASS TOPS ARE ONE PIECE. ALUM, WOOD & REC. PLASTIC HAVE 3 TOP PLANKS.



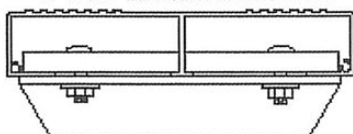
OUTSIDE - ONLY SMOOTH CARR. BOLT HEADS ARE EXPOSED.  
THE LOCKWASHERS & NUTS ARE ON THE INSIDE OF THE PEDESTAL  
SO WHEN THE TABLE IS FULLY ASSEMBLED THEY ARE NOT ACCESSIBLE.

THE SIZE OF THE CONCRETE IS ONLY A SUGGESTION.  
YOUR LOCAL SOIL CONDITIONS SHOULD DETERMINE  
WHAT IS NECESSARY TO ENSURE STABLE MOUNTING.

SM IN THE MODEL# DESIGNATES SURFACE MOUNT

**FIGURE 2**

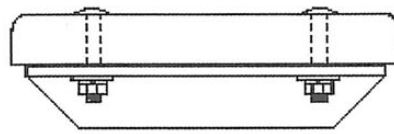
**6SPTGA - 6SPTGASM**  
2" x 10" ALUMINUM PLANK



5/16" x 1 1/4" CARRIAGE BOLT  
HOLD DOWN CLIP & FLANGE NUT

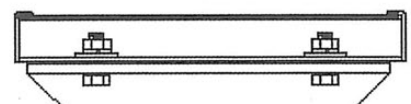
**6SPTGW - 6SPTGWSM**  
2" x 10" SYP TREATED PLANK

**6SPTGRRP - 6SPTGRRPSM**  
2" x 10" RECYCLED PLASTIC PLANK



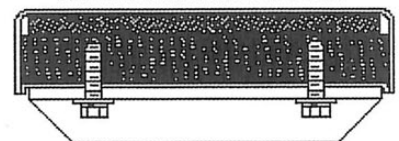
3/8" x 2 1/4" CARRIAGE BOLT  
LOCK WASHER & NUT

**6SPTGVP - 6SPTGVPSM**  
VINYL PLASTIC COATED STEEL



3/8" x 1 1/2" HEX BOLT  
LOCK WASHER & NUT

**6SPTGF - 6SPTGFMSM**  
FIBERGLASS SEATS & TOPS



3/8" x 2" LAG BOLT  
LOCK WASHER & NUT