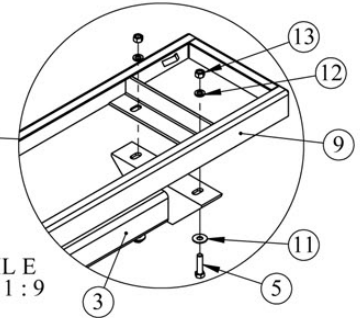
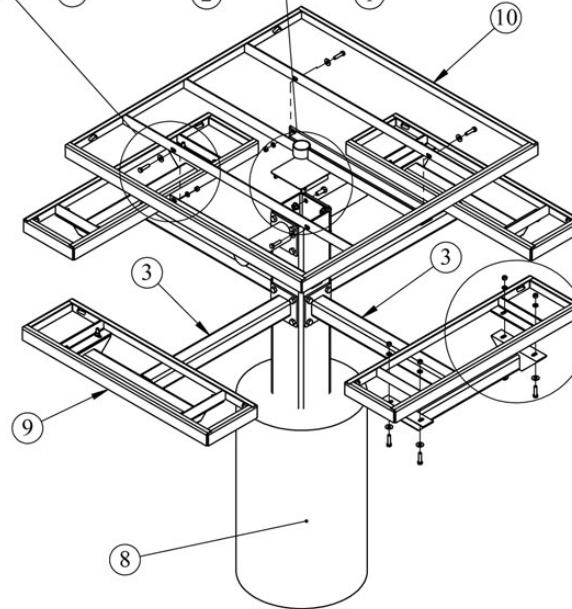
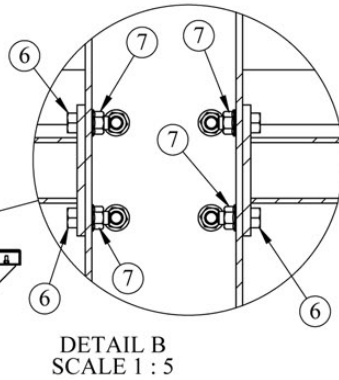
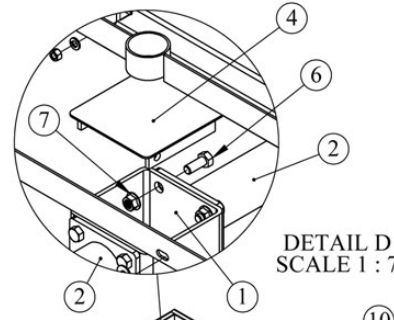
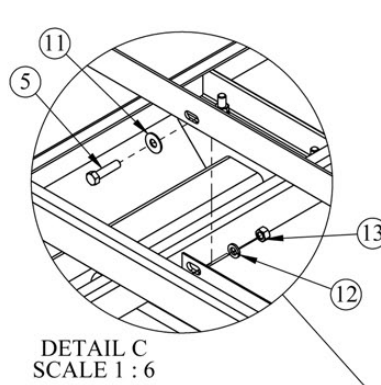
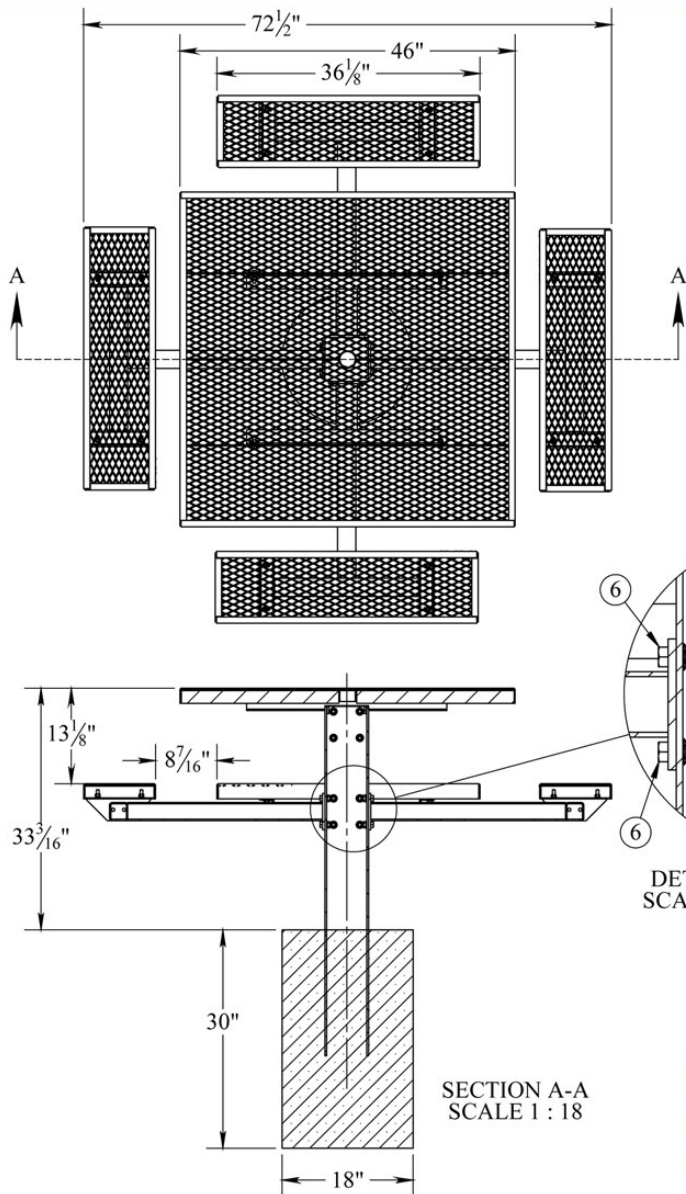


# FURNITURE LEISURE INC

1.800.213.2401 | SALES@FURNITURELEISURE.COM

FurnitureLeisure.com  
PicnicFurniture.com  
ParkTables.com

PoolFurnitureSupply.com  
PicnicTableSupplier.com  
UBrace.com



ITEM NO.	PART NUMBER	DESCRIPTION	QTY.
1	4SPT-103	4SPT - PEDESTAL POST GALV	1
2	4SPT-SA1	4SPT VP TOP ARM ASSEMBLY GALV	2
3	4SPT-SA2	SEAT ARM ASSY 22" SEAT MOUNT	4
4	ISPTC-SA5	PEDESTAL CAP ASSY GALV	1
5	HBOLT 0.3750-16x1.5x1-N	HEX HEAD BOLT 3/8"-16x 1 1/2"	20
6	HBOLT 0.5000-13x1.25x1.25-N	HEX BOLT 1/2"-13x 1 1/4"	24
7	FLANGEN-1/2	1/2"-13 FLANGED NUT	24
8	CONCRETE SONO TUBE		1
9	3IV-8	3 FT. VP SEAT	4
10	SQV-9	4 FT. SQUARE VP TOP	1
11	Regular FW 0.375	REGULAR FLAT WASHER 3/8"	40
12	Regular LW 0.375	REGULAR LOCK WASHER 3/8"	20
13	HNTU 0.3750-16-D-N	HEX NUT 3/8"-16	20

CHECK WITH LOCAL BUILDING CODES CONCRETE SPECIFICATIONS

1. Attach (4) Seat Arm Assemblies, Flanged Nuts are on the Inside of the Square Tube.
  2. Attach the Top Arm Assemblies, Flanged Nuts are on the Inside of the Square Tube.
  3. Attach the Seat and Top Planks.
- Be Aware when Reaching Inside of Square Tube to Assemble Arms, Top Surface of Galvanized Edges may be Sharp**

SECTION A-A SCALE 1 : 18

GENERAL NOTES:

UNLESS OTHERWISE SPECIFIED: DIMENSIONS ARE IN INCHES TOLERANCES: FRACTIONAL ± 1/32 BEND ± 1/2" THREE PLACE DECIMAL ± .005 Do Not Scale Drawing MATERIAL	DRAWN	DAT	9/29/2016	TITLE:
	CHECKED			DESC. 4' SQUARE TABLE SINGLE POST VP TOP and SEATS
	ENG APPR.			
	MFG APPR.			
	Last Saved	9/29/2016 3:51:49 PM		
	COMMENTS:			
SHEET 1 OF 1				
SIZE <b>B</b>		PART NO. <b>4SPTGVP</b>		REV