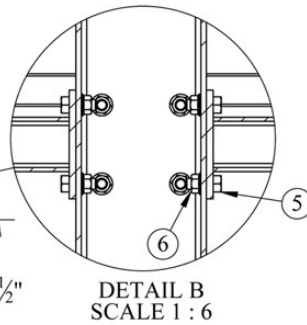
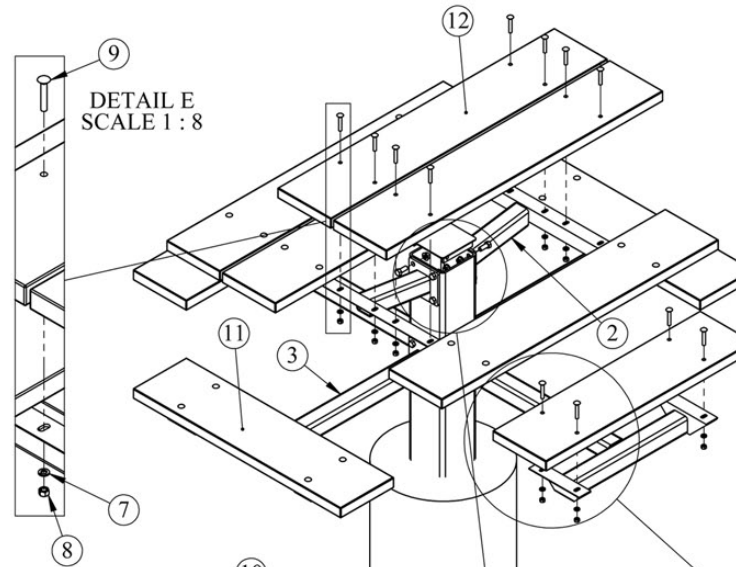
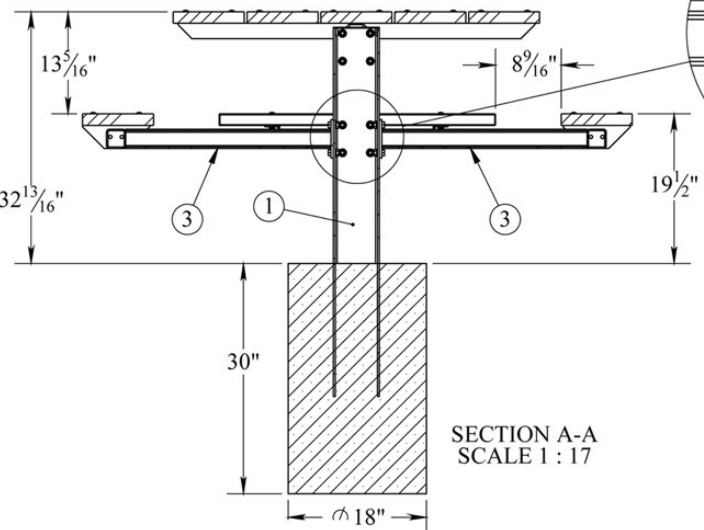
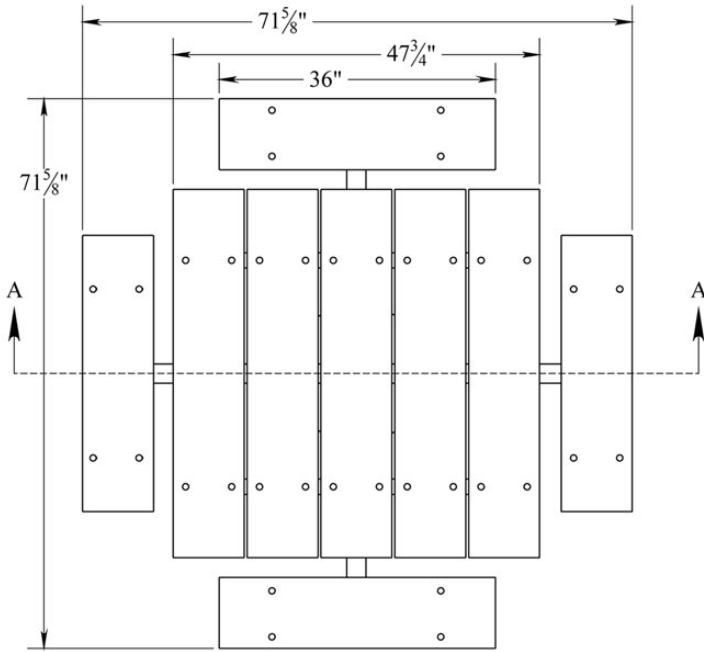


FURNITURE LEISURE INC

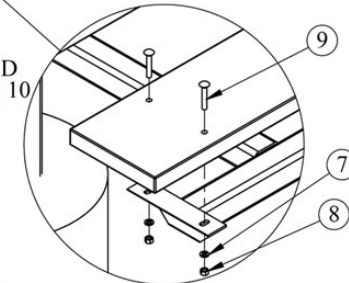
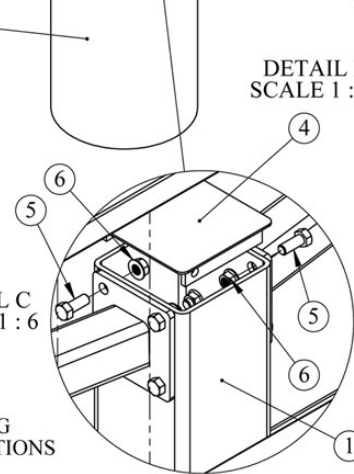
1.800.213.2401 | SALES@FURNITURELEISURE.COM

FurnitureLeisure.com
PicnicFurniture.com
ParkTables.com

PoolFurnitureSupply.com
PicnicTableSupplier.com
UBrace.com



DETAIL C SCALE 1:6



CHECK WITH LOCAL BUILDING CODES CONCRETE SPECIFICATIONS

ITEM NO.	PART NUMBER	DESCRIPTION	QTY.
1	4SPT-103	4SPT - PEDESTAL POST GALV	1
2	4SPTWSQ-SA1	4SPT TOP ARM ASSY	2
3	4SPT-SA2	SEAT ARM ASSY 22" SEAT MOUNT	4
4	ISPTC-SA5	PEDESTAL CAP ASSY GALV	1
5	HBOLT 0.5000-13x1.25x1.25-N	HEX BOLT 1/2"-13x 1 1/4"	24
6	FLANGEN-1/2	1/2"-13 FLANGED NUT	24
7	Regular LW 0.375	REGULAR LOCK WASHER 3/8"	36
8	HNUT 0.3750-16-D-N	HEX NUT 3/8"-16	36
9	RHSNBOLT 0.375-16x2.25x1-N	CARRIAGE BOLT 3/8"-16x 2 1/4"	36
10	CONCRETE SONO TUBE		1
11	3SQRP-7	RECYCLED PLASTIC SEAT	4
12	4SPTRP-7	2" x 10" TOP PLANK RP	5

1. Attach (4) Seat Arm Assemblies, Flanged Nuts are on the Inside of the Square Tube.
 2. Attach the Top Arm Assemblies, Flanged Nuts are on the Inside of the Square Tube.
 3. Attach the Seat and Top Planks.
- Be Aware when Reaching Inside of Square Tube to Assemble Arms, Top Surface of Galvanized Edges may be Sharp**

UNLESS OTHERWISE SPECIFIED:	NAME	DATE	TITLE:
DIMENSIONS ARE IN INCHES	DRAWN	DAT	10/5/2016
TOLERANCES:	CHECKED		
FRACTIONAL ± 1/32	ENG APPR.		DESC.
BEND ± 1/2"	MFG APPR.		
THREE PLACE DECIMAL ± .005	Last Saved	10/5/2016 1:58:55 PM	
Do Not Scale Drawing	COMMENTS:		
MATERIAL			
	SIZE	PART NO.	REV
	B	4SPTGRP	