

USER GROUP: 2-5 Years, 5-12 Years

RECOMMENDED CREW: 1-2 People

TOOLS REQUIRED:

- TT-30 Torx, 3/16" Allen
- Level, Square
- Auger / Post Hole Digger / Shovel
- Drill Bits: None
- High Speed 3/8" Electric Drill with Clutch
- Metal / Hack Saw (Optional)

NOTE: Use of any other driver may result in damage to tool and/or hardware!

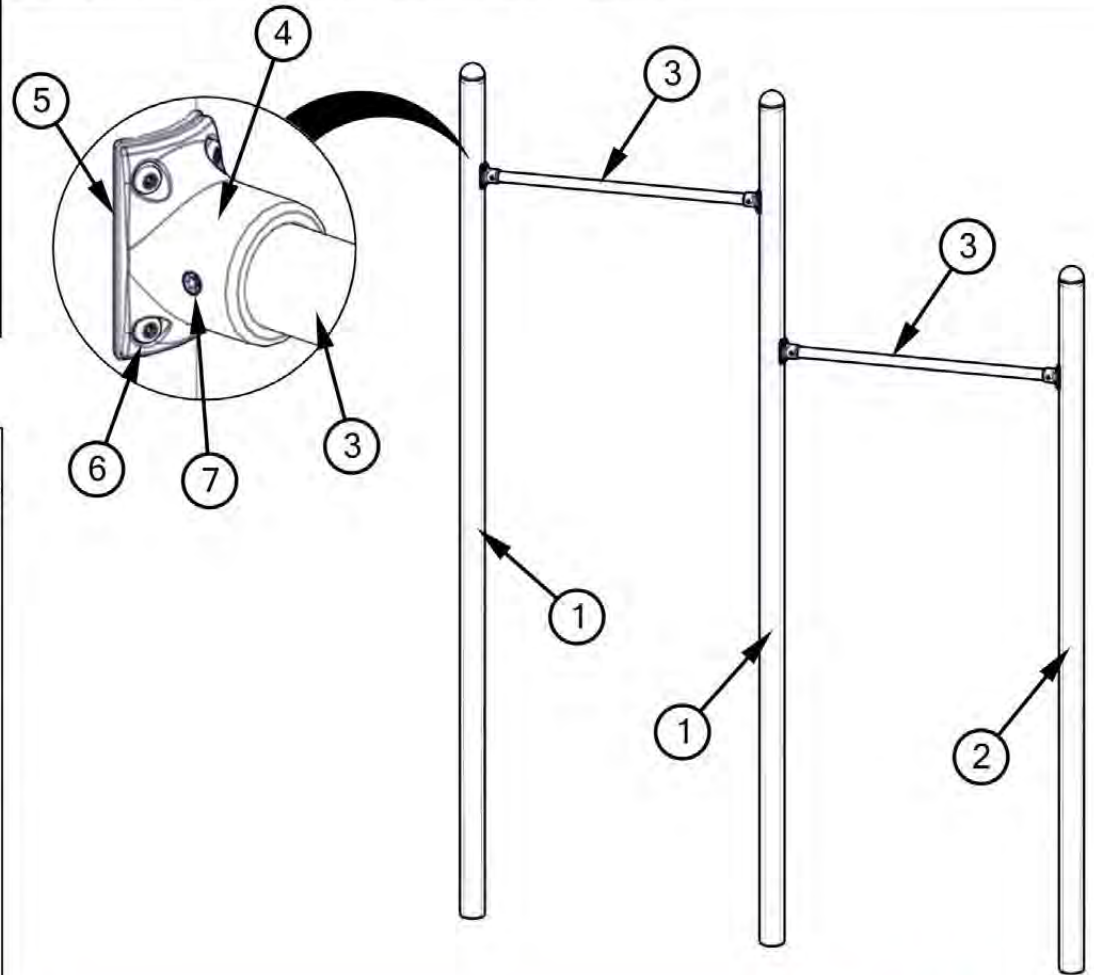
INSTALLATION TIME: 1 Hour

WEIGHT: 116 lbs.

CONCRETE REQUIRED: (16) 80lb. bags

NOTE: Concrete must have a minimum rating of 2,500 psi and must be mixed per manufacturer's recommendations.

ITEM	Part No.	QTY	DESCRIPTION
1	30003011XX	2	Post w/Dome Cap 136" Length - 3.5"
2	30003009XX	1	Post w/Dome Cap 112" Length - 3.5"
3	FAB31847XX	2	Fab - 1 1/4" OD x 44" Tubing COATED)
4	CTG10004XX	4	Fitting - 3-1/2" C-Line Pipe Mount (Coated)
5	HWM0169	4	Gasket Sealing 3-1/2"
6	HWS0021	16	Screw 1/4"-20 x 1" TORX Self Tapping w/Patch SS
7	HWS0096	4	Screw 3/8"-16 x 3/8" Allen Set



PRE-INSTALLATION CHECK:

Customer is responsible for verifying materials received by comparing received items with packing list. If any parts are missing or damaged, contact your local sales representative immediately.

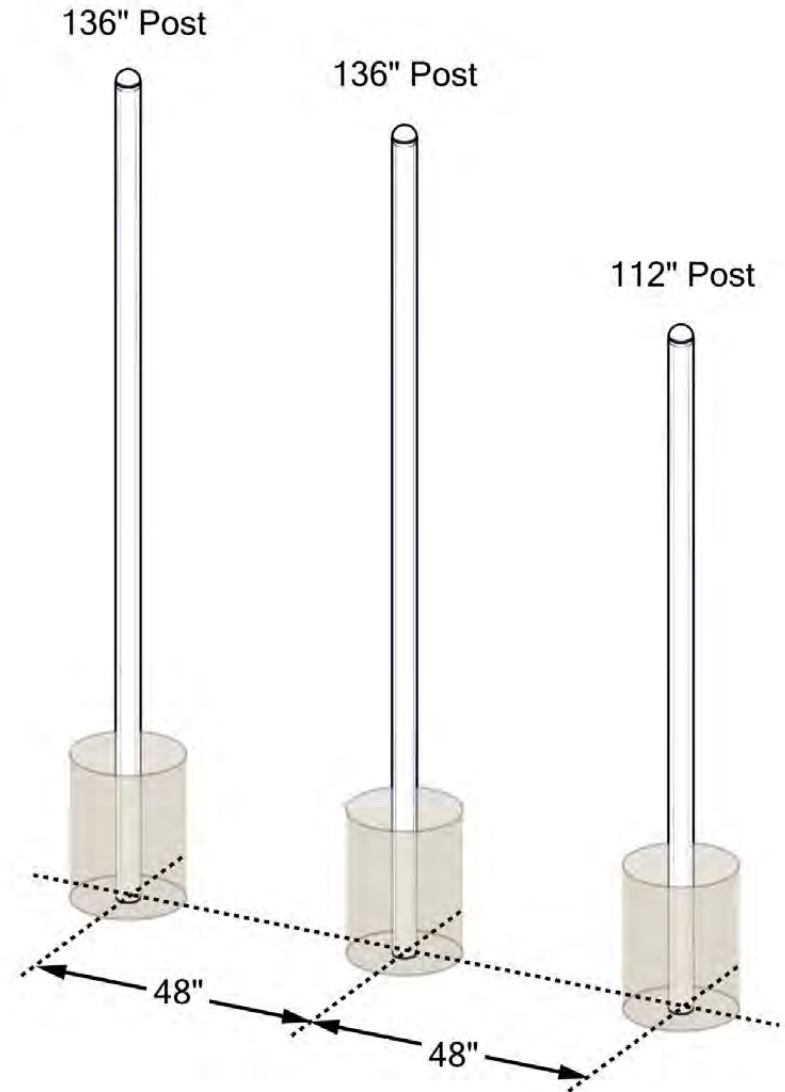
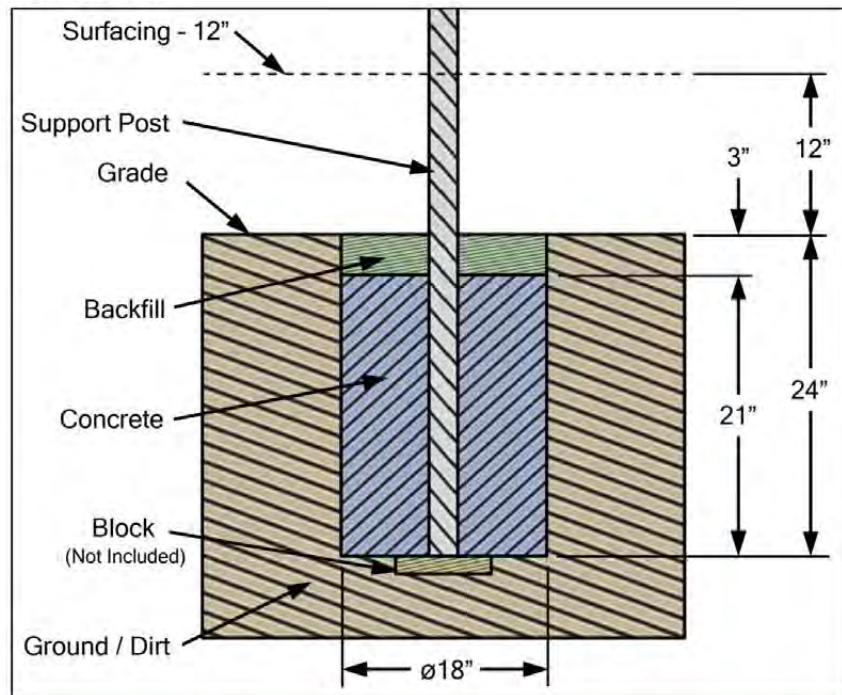
Supplier is not responsible for items discovered missing after 72 hours from time of delivery.

Before beginning installation, all installers must read and understand the Installation Introduction manual as supplied. If you did not receive a copy, or if you have any questions regarding any information in the Installation Instructions or this Installation Guideline, contact your local sales representative.

STEP 1

Prepare footing holes. Refer to site plan drawing and site elevation drawing for placement of all support posts. Installer is responsible for proper location of all support posts. Footing hole spacing is shown at right. Footing holes for support posts must be 18" diameter and 24" deep plus 12" surfacing. Place one block (not included) into bottom of each footing hole. Place support posts into footing holes. See Detail 1-1. **DO NOT ADD CONCRETE.** Footing holes will be completed at STEP 3. Proceed to STEP 2.

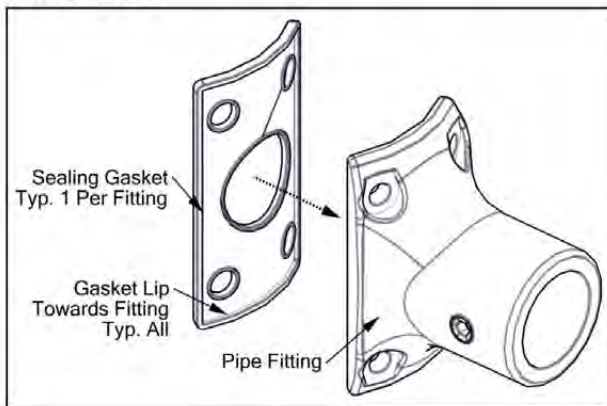
Detail 1-1



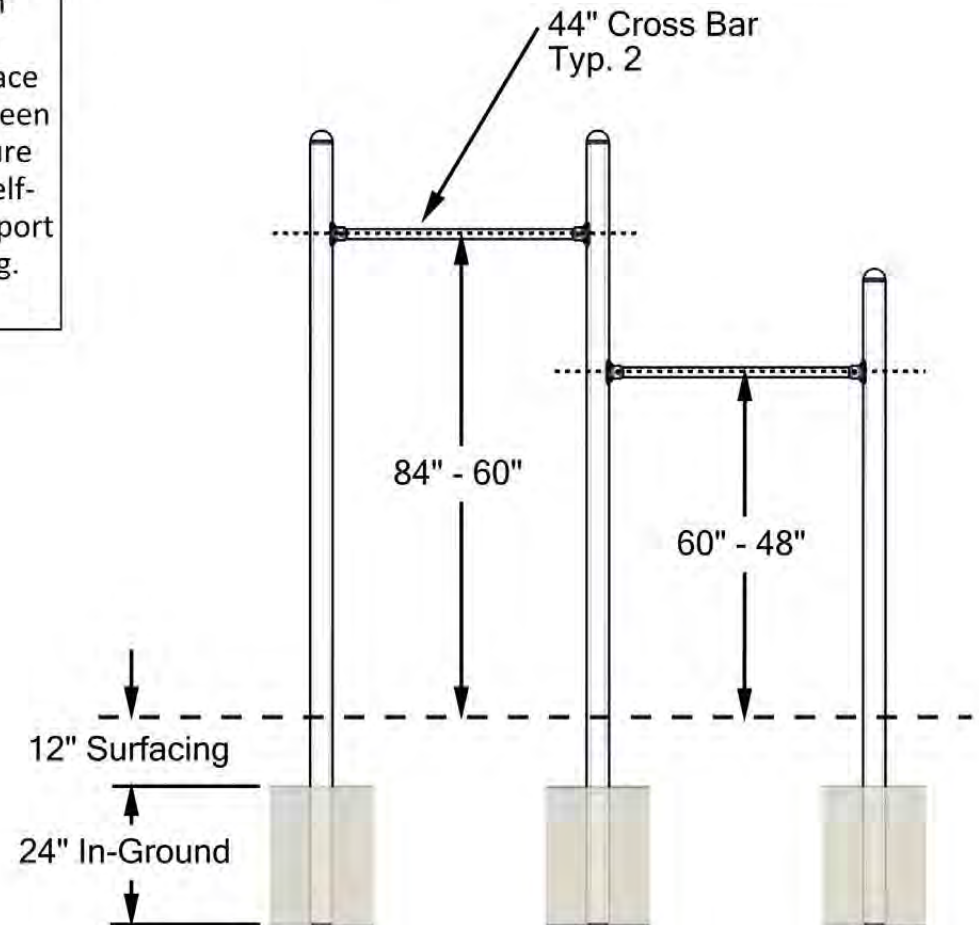
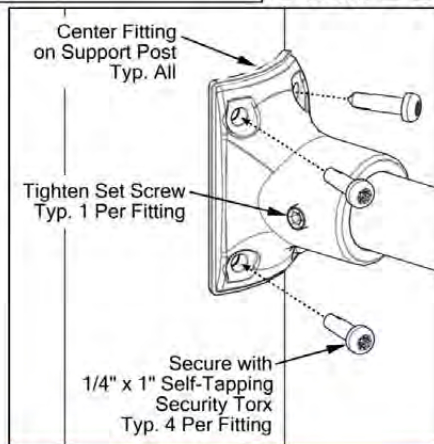
STEP 2

Mount sealing gaskets to pipe fittings. Remove adhesive backing from sealing gasket. Ensure gasket is square and centered on fitting. Place gasket with lip facing fitting. Repeat for all fittings. See Detail 2-1. Place one (1) fitting onto each pipe end of cross bars. Place cross bars between support posts. Required cross bar elevations are shown at right. Ensure each cross bar is level. At each fitting, secure with four (4) 1/4" x 1" self-tapping security Torx. Ensure each cross bar is centered between support posts. Secure fitting to cross with one (1) 3/8" set screw at each fitting. See Detail 3-2. Repeat for all fittings. Repeat for opposite cross bar.

Detail 2-1



Detail 2-2



60" - Maximum Height for 2-5 Year Olds
84" - Maximum Height for 5-12 Year Olds

STEP 3

Complete setting of footing holes. Ensure support posts are plumb. Fill footing holes with concrete to within 3" from ground surface. Allow concrete to cure based upon manufacturer's instructions. Backfill footing holes with dirt, flush with grade. See Detail 3-1 for footing hole details. Check all connections and ensure structure is stable. All concrete must be fully cured before use of structure. Installation is complete. Place one (1) Age Appropriate Sticker on structure in a clearly visible location.

Detail 3-1

