

# FURNITURE LEISURE INC

OUR LIST OF WEB STORES

www.FurnitureLeisure.com  
www.PicnicFurniture.com  
www.ParkTables.com

www.PoolFurnitureSupply.com  
www.PicnicTableSupplier.com  
www.UBrace.com

1.800.213.2401

## GENERAL SPECIFICATIONS:

### MANUFACTURER'S QUALIFICATIONS

Manufacturer maintains at all times a quality control program as herein outlines so as to insure that all precast meets all requirements as specified under physical requirements. All precast shall be manufactured by skilled workmen who have at least five years experience in similar work and supervised by foreman certified by the ACI (American Concrete Institute).

### MANUFACTURING

All precast work shall be true to dimension and have clean, accurate arises and details faithfully executed. Reinforcing steel shall conform to work and shall have a minimum compressive strength of 5,000 psi at 28 days of age when tested by means of cylinder molds (6x12) from the materials. There shall be a maximum of 4-6% air entertainment for all precast according to ASTM standards.

### REINFORCEMENT

All concrete products have reinforcement characteristics such as rebar or fiberglass.

### MOLDS

The forms for the precast units shall be constructed of metal or fiberglass laminated designed to withstand casting pressures without distortion. All anchors, inserts, bolts, ect. will be placed and secured in the forms as required for the attachment and handling of the units. These shall be clamped so as to hold them in position during fabrication.

### PHYSICAL CHARACTERISTICS

All exposed surfaces are treated to remove the surface matrix and exposed the aggregate produced by chemical retardant - not sand blasting. All precast shall have the water-repellent sealer treatment applied in strict accordance with manufacturer's specifications. All tolerances shall be within 1/8" of specified dimensions, designed for structural analysis and calculation.

### COLOR

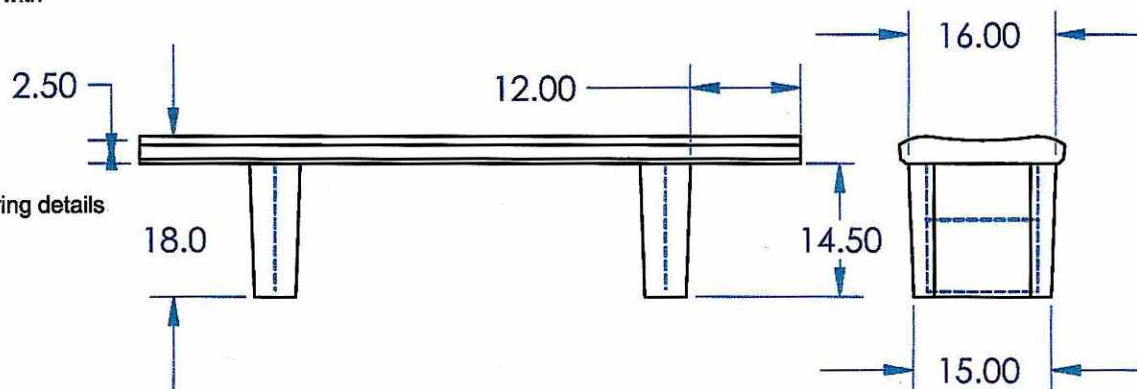
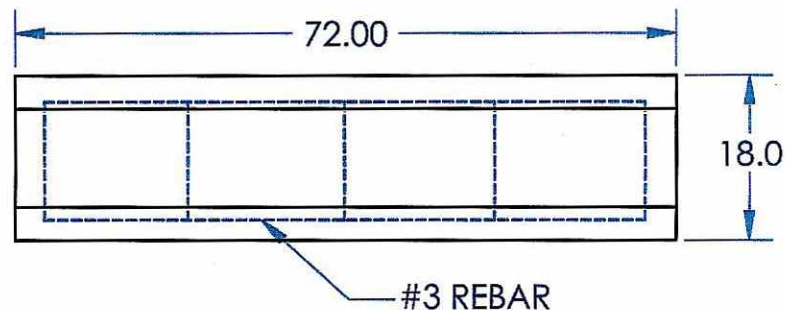
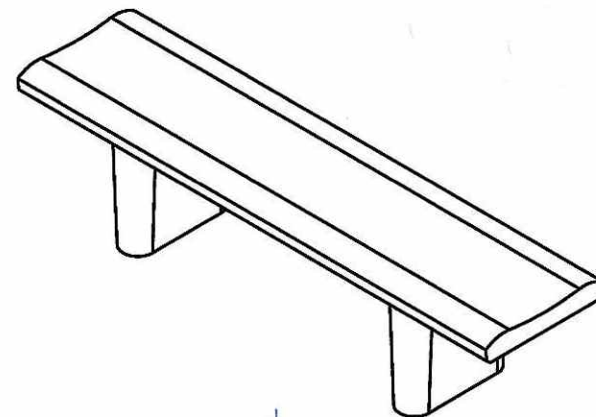
Color to be uniform throughout as approved by owner or specifier in accordance with manufacturer's recommendation.

### MATERIALS

Portland Cement: ASTM C150 Type 1 or 3  
All aggregate to meet ASTM C33 Specifications

### REQUIRED MATERIALS FOR APPROVAL

- Shop drawings with dimensions, general contraction component parts, anchoring details and installation.
- Samples upon request of architects.
- Complete dates on manufacturer's and technical information.



Model: CCB72CL  
Weight: 500 LBS