

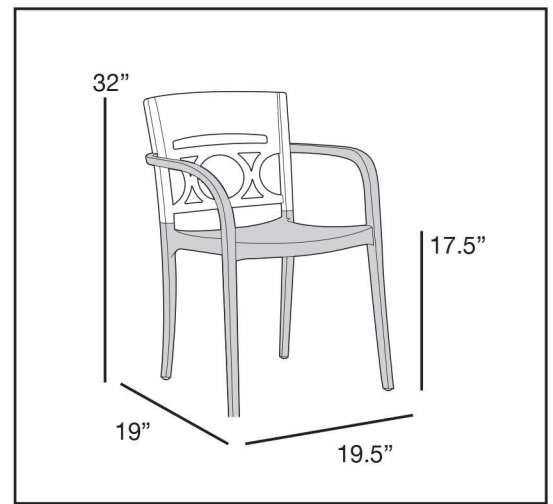
# FURNITURE LEISURE INC

## OUR LIST OF WEB STORES

www.FurnitureLeisure.com  
 www.PicnicFurniture.com  
 www.ParkTables.com

www.PoolFurnitureSupply.com  
 www.PicnicTableSupplier.com  
 www.UBrace.com

**1.800.213.2401**



### Product Specifications

| Product Description    | Reference Number | Color                  | UPC Code 014306 | Weight Each (lbs.) | Master Pack | Master Pack Volume (cu. ft) |  |
|------------------------|------------------|------------------------|-----------------|--------------------|-------------|-----------------------------|--|
| Moon Stacking Armchair | XA651096         | Glacier White/Linen    | 917603          | 10.81              | 16          | 42.35                       |  |
|                        | XA651196         | Storm Blue/Linen       | 917610          | 10.81              | 16          | 42.35                       |  |
|                        | XA651282         | Cactus Green/Linen     | 917627          | 10.81              | 16          | 42.35                       |  |
|                        | XA652579         | Titanium Gray/Charcoal | 917634          | 10.81              | 16          | 42.35                       |  |
|                        | US651096         | Glacier White/Linen    | 917603          | 11.01              | 4           | 16.95                       |  |
|                        | US651196         | Storm Blue/Linen       | 917610          | 11.01              | 4           | 16.95                       |  |
|                        | US651282         | Cactus Green/Linen     | 917627          | 11.01              | 4           | 16.95                       |  |
|                        | US652579         | Titanium Gray/Charcoal | 917634          | 11.01              | 4           | 16.95                       |  |
|                        |                  |                        |                 |                    |             |                             |  |
|                        |                  |                        |                 |                    |             |                             |  |

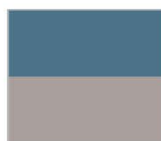
### Features & Benefits

**Warranty: 3 Yrs.**

- Passes ASTM F 1561 Class B standard for safe commercial outdoor use.
- Contemporary two color rendition of a traditional cast design of the antique world.
- Low backrest with a wide ergonomic seat.
- Opaque color hues to brighten the outdoor design scheme.
- Stacks for easy storage.
- Easy to handle and move around patios and terraces.
- Can easily be cleaned with soap and water.
- Rated to 300 lbs. for safe use in commercial environments.



Glacier White/  
Linen



Storm Blue/  
Linen



Cactus Green/  
Linen



Titanium Gray/  
Charcoal

