

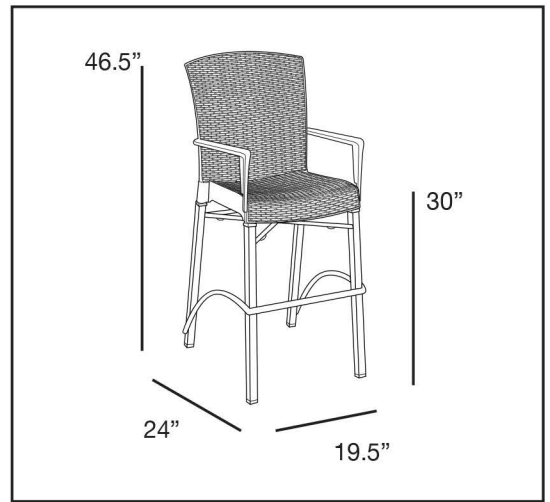
FURNITURE LEISURE INC

OUR LIST OF WEB STORES

www.FurnitureLeisure.com
 www.PicnicFurniture.com
 www.ParkTables.com

www.PoolFurnitureSupply.com
 www.PicnicTableSupplier.com
 www.UBrace.com

1.800.213.2401



Product Specifications

Product Description	Reference Number	Color	UPC Code 014306	Weight Each (lbs.)	Master Pack	Master Pack Volume (cu. ft)
Havana Barstool with Arms	48260037	Espresso	923017	29.60	1	18.72
	48260008	Tobacco	923024	29.60	1	18.72
	48260002	Charcoal	923048	29.60	1	18.72
	48260004	White	923031	29.60	1	18.72

Features & Benefits

Warranty: 3 Yrs.

- Tested and certified in compliance with the ASTM F 1561-03 Class B performance standard for commercial use.
- Barstool with armrests for extra comfort!
- All-Weather Wicker performance, without the maintenance!
- A product of Grosfillex MPC Technology®
- Rated to 300 lbs. for safe use in commercial areas.
- Texture will not harbor dirt, sand, food, bacteria nor fungi.
- Easy to clean with soap and mild detergent and water.
- 1 1/4" square powder coated aluminum legs with hard wearing footpads for structural integrity.
- Color-fast - no resin strand to unravel.
- Made in the U.S.A. from U.S. and imported parts.



Espresso



Tobacco



Charcoal



White

