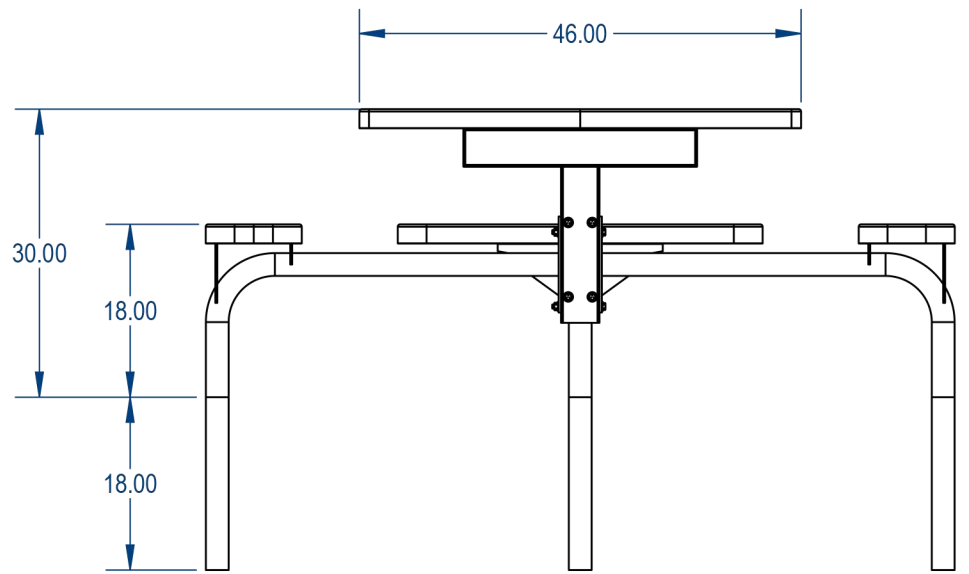
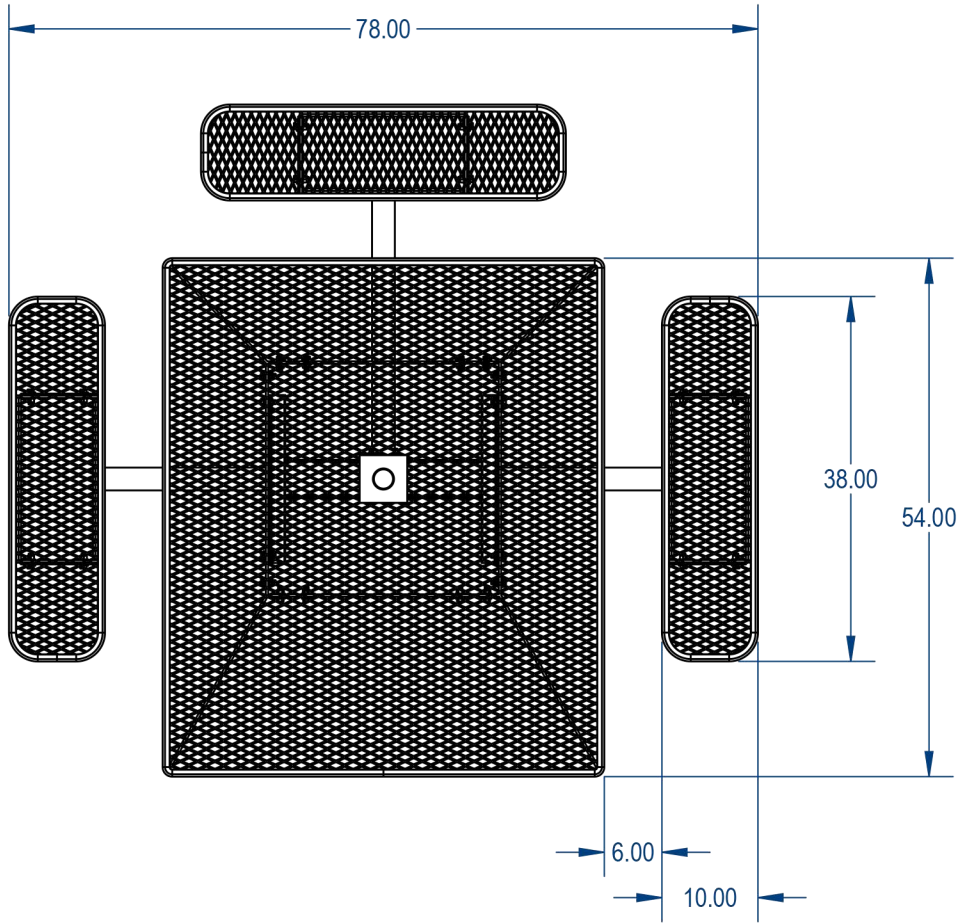


TOP VIEW



SIDE VIEW

	NAME	DATE
DRAWN	GM	6/3/2016
SALES APPR.		
CLIENT APPR.		
MFG APPR.		
Q.A.		

**AAdvantage Panels & Fence, Inc.**  
 TITLE:  
**Nexus Style Square Table**  
**Expanded Metal Version**

Design By -  CADWorksPro<sup>SM</sup>  
 design studio  
 gilm@cadworkspro.com  
 1147 Brook Forest Ave | Suite 228 | Shorewood, IL 60404

SIZE	DWG. NO.	REV
<b>A</b>	<b>NSST3IGM-002</b>	
WEIGHT:		SHEET 2 OF 3