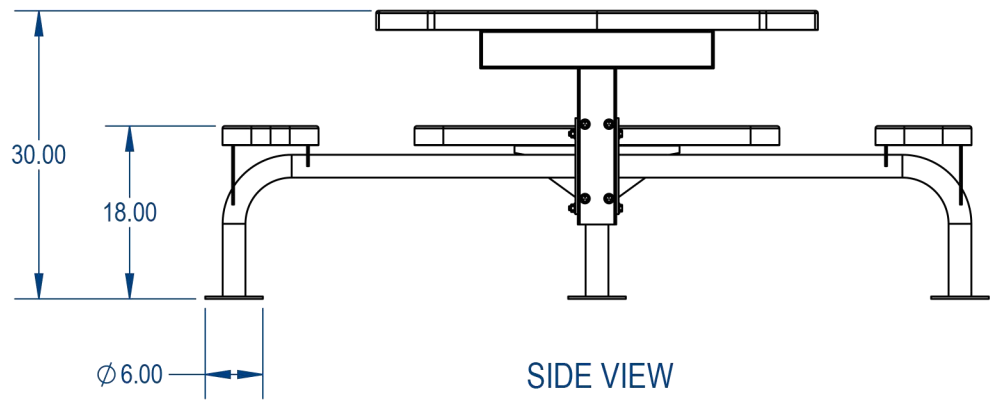
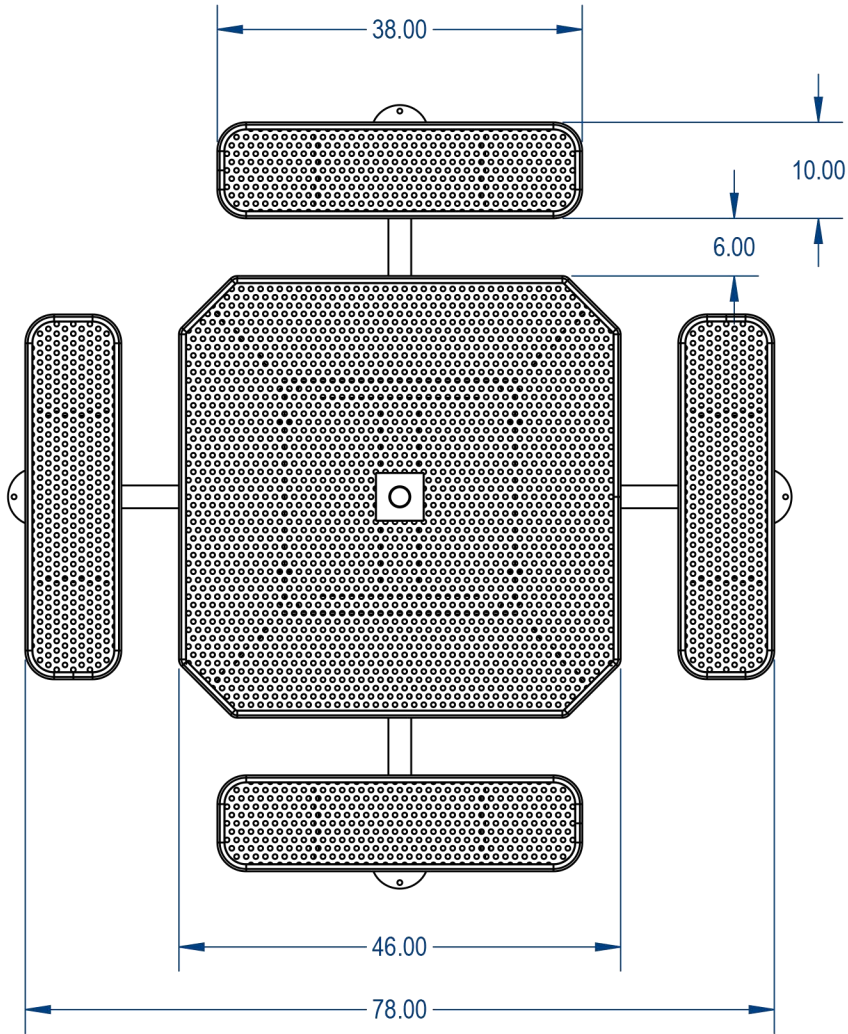



TOP VIEW



SIDE VIEW

	NAME	DATE	AAdvantage Panels & Fence, Inc.	
DRAWN	GM	5/11/2017	TITLE:	
SALES APPR.			Nexus Style Octagon Table	
CLIENT APPR.			Perforated Metal Version	
MFG APPR.			SIZE	DWG. NO.
Q.A.			A	NSOT4SSM-003
Design By -	 gilm@cadworkspro.com 1147 Brook Forest Ave Suite 228 Shorewood, IL 60404		REV	
			WEIGHT:	SHEET 3 OF 3