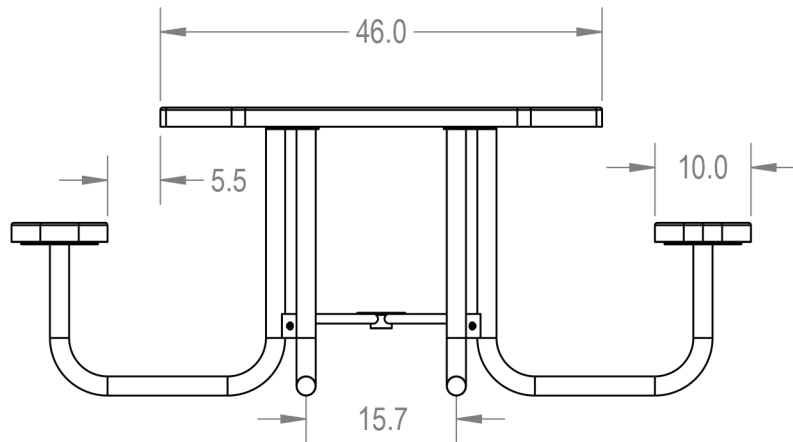
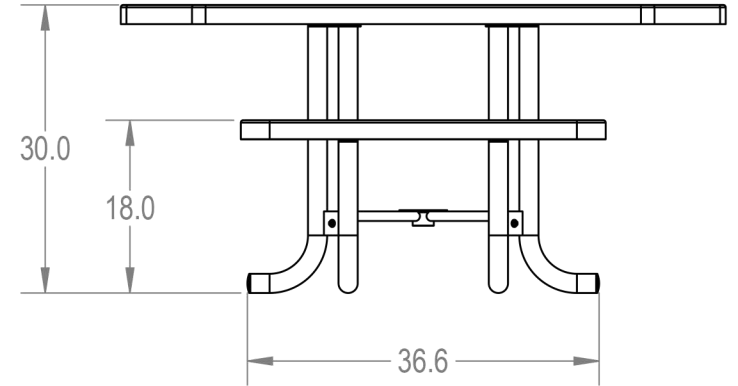
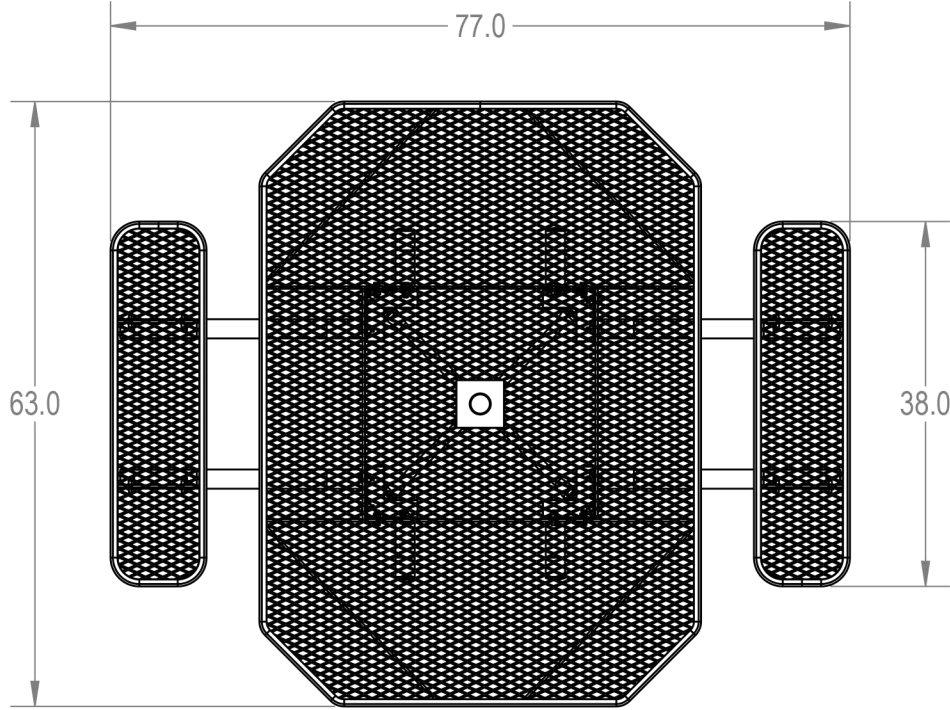


Model Numbers:
 TOT46-A-04-012 - Advantage Coating
 TOT46-C-04-012 - Industry Standard Coating



	NAME	DATE	AAdvantage Panels & Fence, Inc.	
DRAWN	GM	2/13/2016	TITLE:	
SALES APPR.			46" Octagon Accessible Table - 2 Seat - Portable	
CLIENT APPR.			Expanded Metal Version	
MFG APPR.			SIZE	DWG. NO.
Q.A.			A	REV
Design By -			WEIGHT:	
CADWorksPro Chicago, IL			SHEET 2 OF 3	
www.cadworkspro.com				