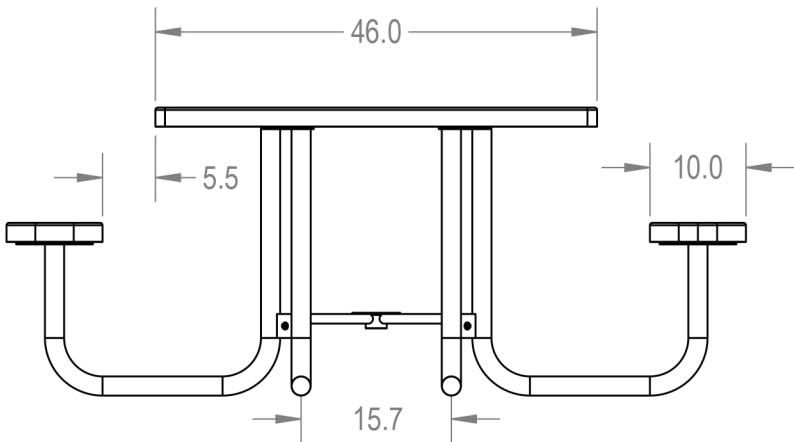
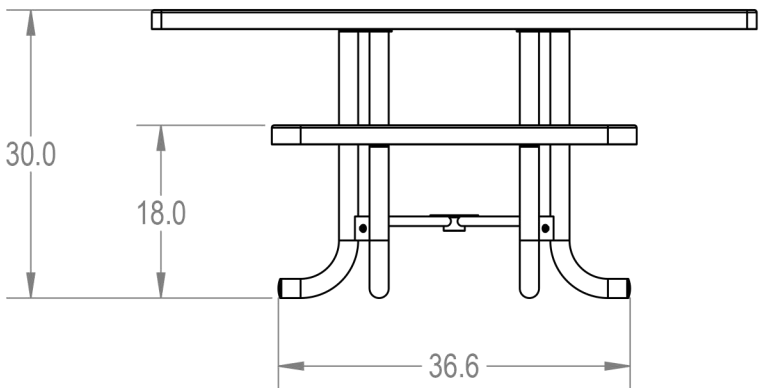
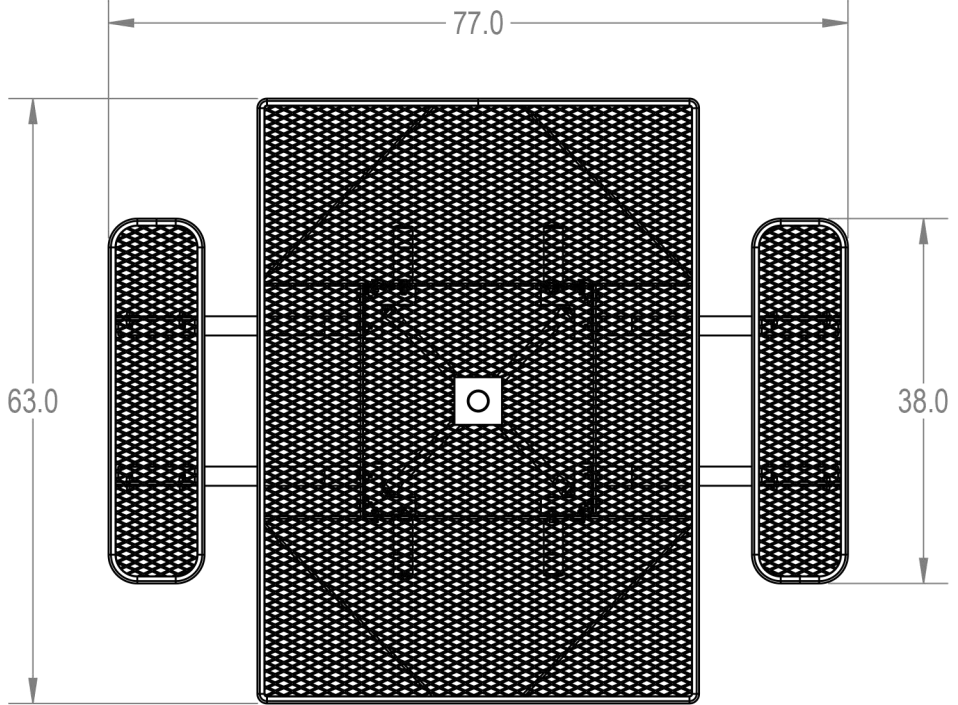


Model Numbers:
 TSQ46-A-04-012 - Advantage Coating
 TSQ46-C-04-012 - Industry Standard Coating



	NAME	DATE	A Advantage Panels & Fence, Inc.	
DRAWN	GM	2/13/2016	TITLE:	
SALES APPR.			46in Square Table - Portable	
CLIENT APPR.			2 Seat Accessible - Expanded Metal Version	
MFG APPR.			DWG. NO.	
Q.A.			REV	
Design By -			SIZE	
CADWorksPro Chicago, IL			A	
www.cadworkspro.com			WEIGHT:	
			SHEET 2 OF 3	

FURNITURE LEISURE INC
 1.800.213.2401 | SALES@FURNITURELEISURE.COM

FurnitureLeisure.com
 PicnicFurniture.com
 ParkTables.com

PoolFurnitureSupply.com
 PicnicTableSupplier.com
 UBrace.com