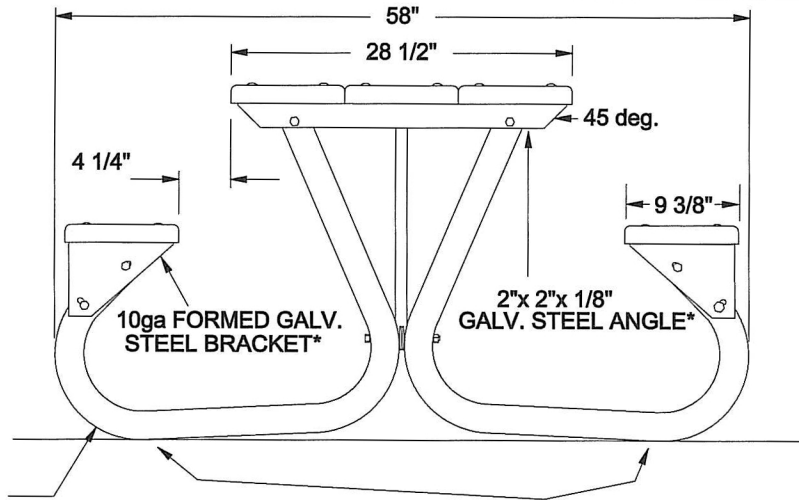
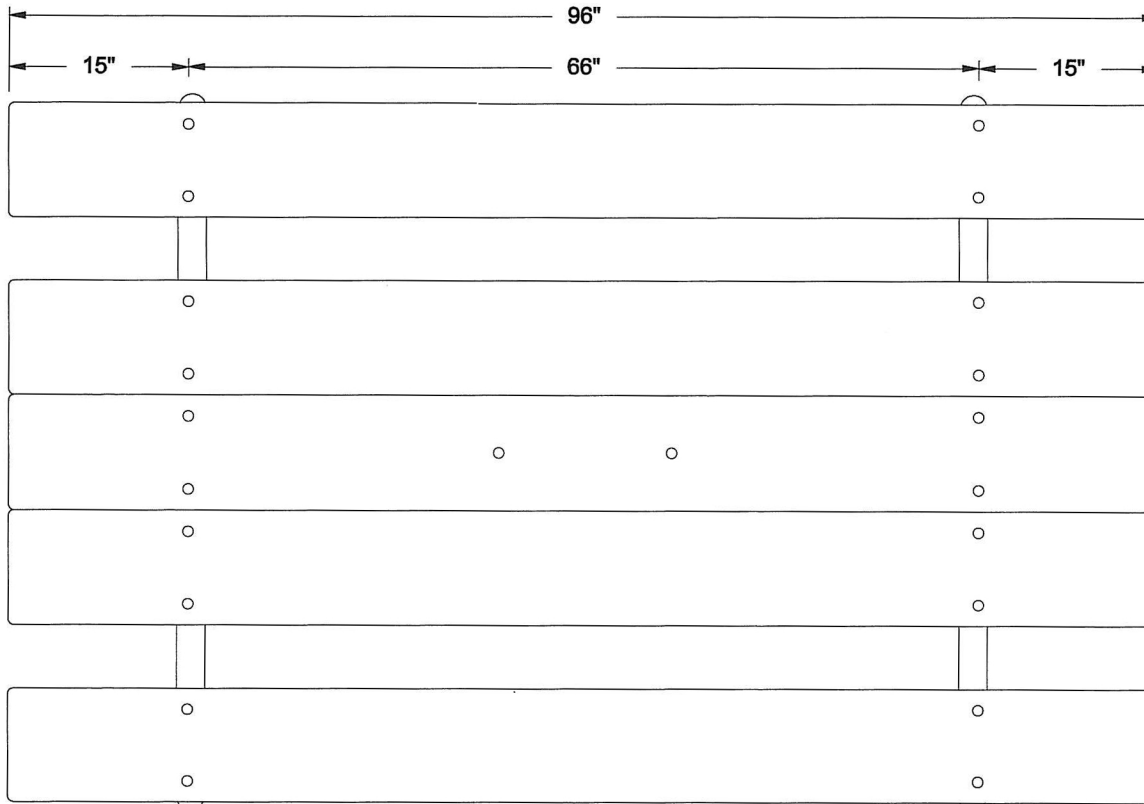


1 5/16" O.D. GALV.
HIGH TENSILE TUBE

2 3/8" O.D. GALVANIZED HIGH
TENSILE TUBE FOR LONGER
LIFE.



THE TABLE RESTS ON THE FOUR OUTSIDE CORNERS
SO THAT IT WILL NOT ROCK ON UNEVEN GROUND.



* SEAT BRACKET & TOP CLEAT ARE GALVANIZED
AFTER FABRICATION TO ELIMINATE RAW EDGES
LEFT WHEN USING PRE-GALV. SHEETS

2"x 10" No. 1 SOUTHERN YELLOW PINE
ACQ TREATED, KDAT WITH EASED EDGES

FURNITURE LEISURE INC

OUR LIST OF WEB STORES

www.FurnitureLeisure.com
www.PicnicFurniture.com
www.ParkTables.com

www.PoolFurnitureSupply.com
www.PicnicTableSupplier.com
www.UBrace.com

1.800.213.2401

MODEL	82BGW		WT.	238 lbs.
DRAWN BY	LCB	DATE	3/9/98	SCALE
				NONE

FILE NAME: 82BGW

REV. 1/29/03, CHANGED TOP HEIGHT