

Size:	48" x 36" H
Weight:	1,220 Lbs.
Material:	Reinforced concrete
Reinforcing:	1/4" & 3/8" Dia. steel rebar
Drain Hole:	(1) 2" Dia. drain hole
Hardware:	(4) 5/8" Dia. lifting inserts

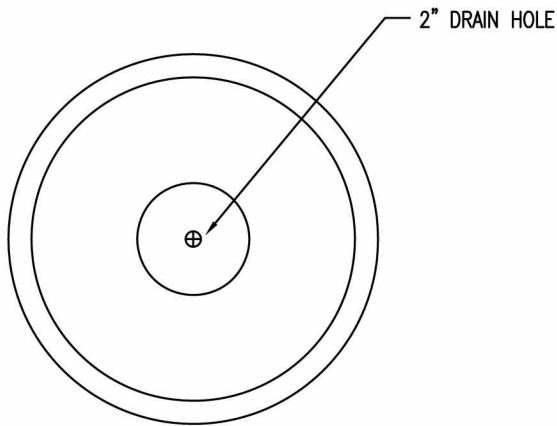
Note:

Lifting inserts are to ONLY be used when planter is EMPTY

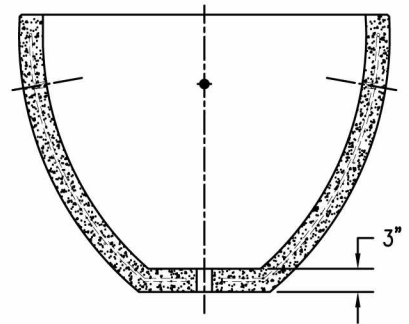
Finish Options

Standard

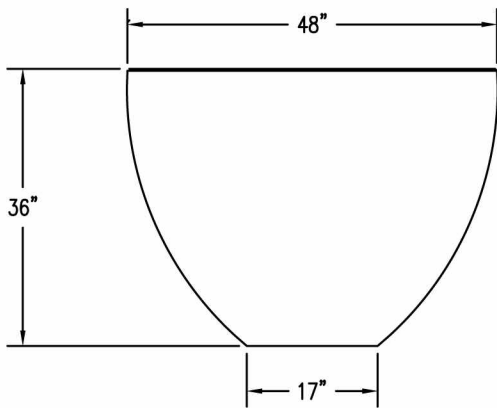
- Exposed Aggregate
- Weatherstone



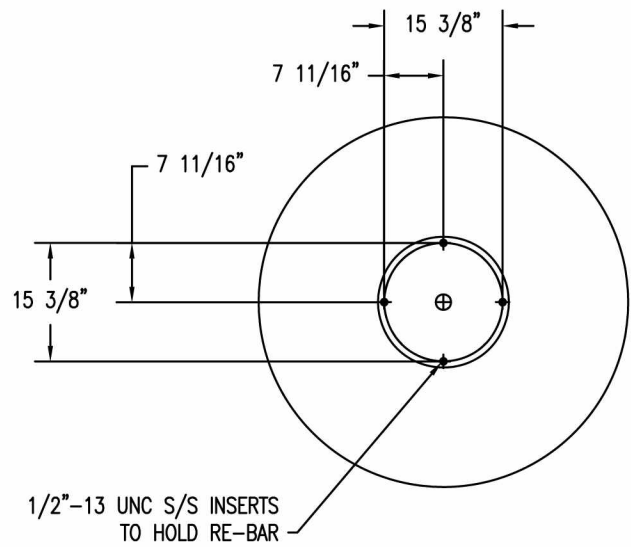
1 TOP VIEW



4 CROSS SECTION



2 ELEVATION VIEW



3 BOTTOM VIEW

TF4122