



Size: 64"L x 32"W x 32"H

Weight: 2,200 Lbs.

Material: Reinforced concrete

Reinforcing: 3/8" Dia. steel rebar

Drain Hole: (1) 2" Dia. drain hole

Hardware: (4) 5/8" Dia. lifting inserts

Note:

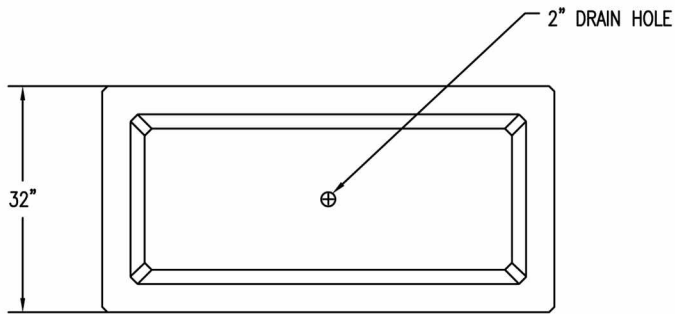
Lifting inserts are to ONLY be used when planters are EMPTY

Accepts Reservoir System

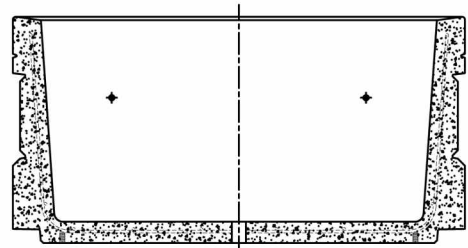
Finish Options

Standard

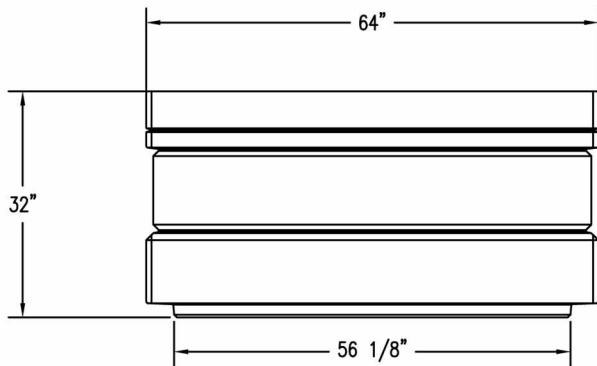
- Exposed Aggregate
- Weatherstone



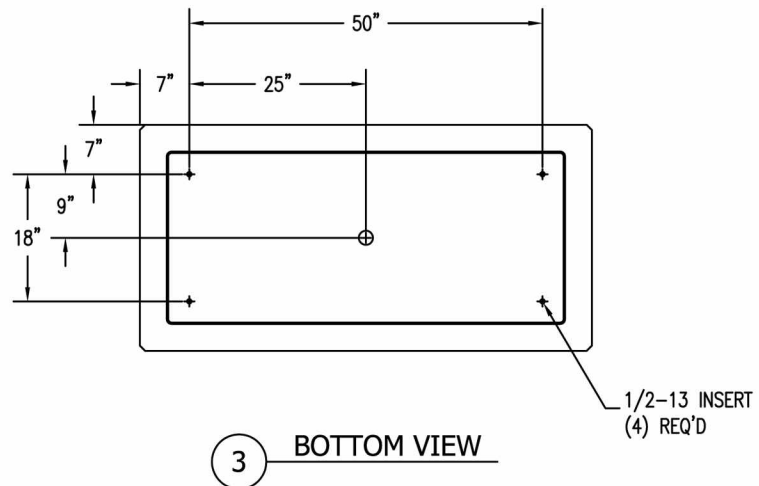
1 TOP VIEW



4 CROSS SECTION



2 ELEVATION VIEW



3 BOTTOM VIEW

TF4167