

# FURNITURE LEISURE INC

1.800.213.2401

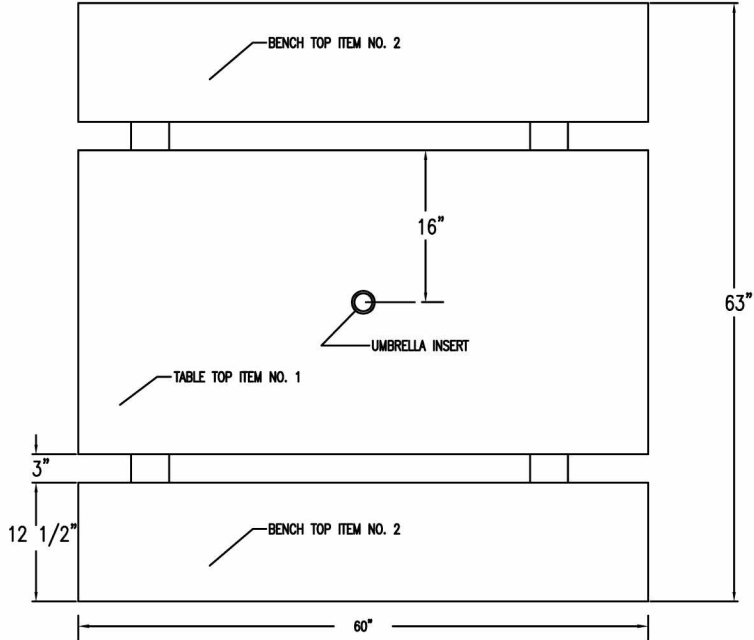
www.FurnitureLeisure.com  
www.PicnicFurniture.com  
www.ParkTables.com

www.PoolFurnitureSupply.com  
www.PicnicTableSupplier.com  
www.UBrace.com

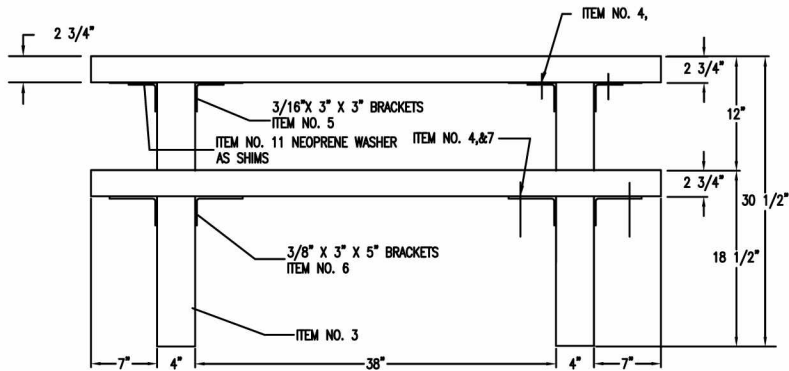
## TF3226 REC. TABLE SET

HARDWARE KIT NO. TF9010 STEEL  
OPTION HARDWARE KIT NO. TF9057-SS 316 STAINLESS STEEL

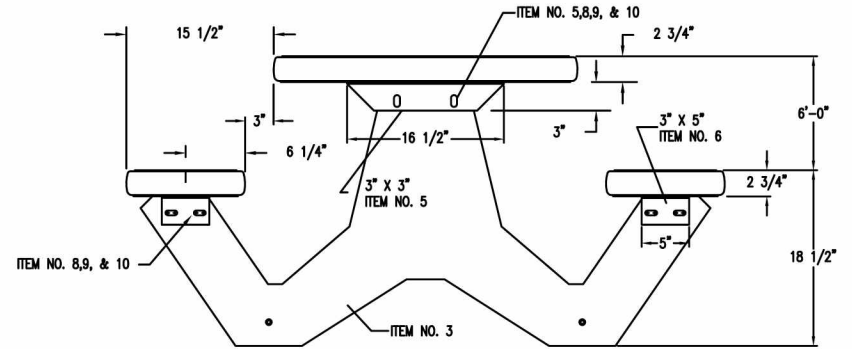
ITEM NO.	DESCRIPTION	WT.	PART NO.	QTY.
1	CAST CONCRETE TABLE TOP 60"	470 LBS.	TF3227	1
2	CAST CONCRETE SEAT TOP 60"	175 LBS.	TF3232	2
3	CAST CONCRETE LEGS 4" WIDE	225 LBS.	TF3564	2
4	3/8" FLAT WASHERS PLATED STEEL		PP11069	24
5	3" X 3" TABLE-TO-LEG BRACKETS 3/16" THICK STEEL	5 LBS.	85-4	4
6	3" X 5" SEAT-TO-LEG BRACKETS 1/4" THICK STEEL	2 LBS.	85-2	8
7	3/8"-16 X 1 1/4" UNC HEX HEAD BOLTS S/S		PP10209	24
8	7/16"-14 X 5 1/2" UNC HEX HEAD BOLTS PLATED		PP10194	12
9	7/16"-14 UNC NYLON LOCKING HEX NUT PLATED		PP10200	12
10	7/16"-14 FLAT WASHERS PLATED		RM10635	12
11	NEOPRENE WASHER		PM10365	8
12				
OPTIONAL	3/8" X 1 1/2" S/S INSERTS		RM10461	8
	OPTIONAL ANCHOR KIT	.66 LBS.	TF9400	4



TOP VIEW TF-3130 SET



SIDE VIEW TF3226 TN60



SIDE VIEW TF3226 TN60

### CONFIDENTIAL INFORMATION

These drawings, specifications and the other information and documents accompanying them are the confidential and proprietary property of Wausau Tile, Inc. The drawings themselves shall belong to the owner for use only on this project. Any additional use shall require the prior written approval of Wausau Tile, Inc. The proprietary information contained within the drawings and the documents is and shall remain the sole property of Wausau Tile, Inc.

REVISIONS		
NO.	DATE	BY
1		
2		
3		
4		

# TF3226

SITE-FURNISHINGS

JOB TF3226 - TN60 TABLE SET	
LOCATION	
DRAWN BY RJH	JOB NO.
DATE 12/8/98	DRWG. 1 OF 1
SCALE NTS	DRWG NO. 998-12-207