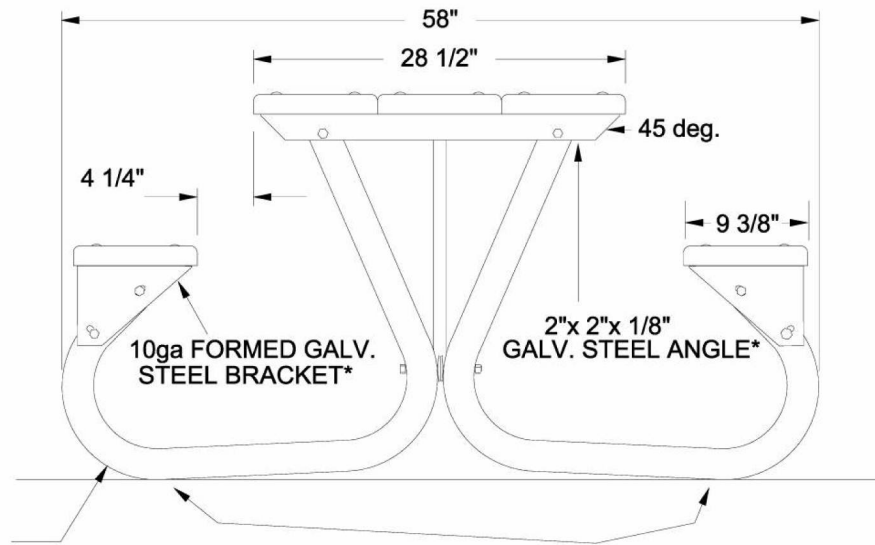


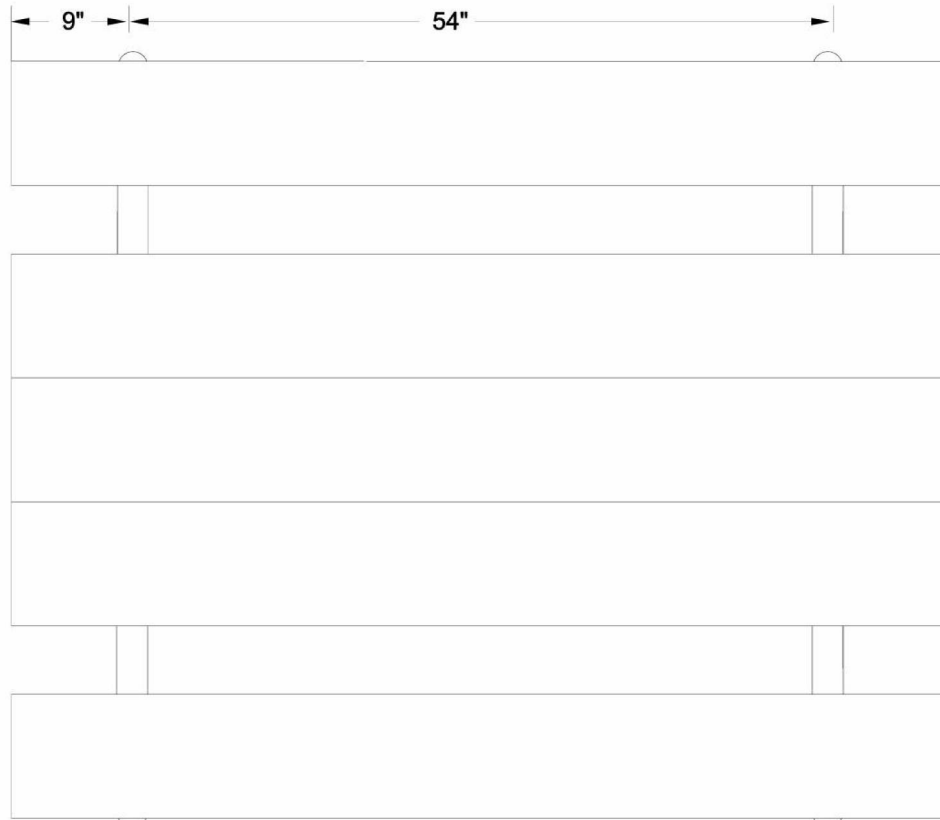
1 5/16" O.D. GALV.
HIGH TENSILE TUBE

2 3/8" O.D. GALVANIZED HIGH
TENSILE TUBE FOR LONGER
LIFE.



THE TABLE RESTS ON THE FOUR OUTSIDE CORNERS
SO THAT IT WILL NOT ROCK ON UNEVEN GROUND.

* SEAT BRACKET & TOP CLEAT ARE GALVANIZED
AFTER FABRICATION TO ELIMINATE RAW EDGES
LEFT WHEN USING PRE-GALV. SHEETS



2"x 10" (NOMINAL) 6063-T6 204-R1 CLEAR ANODIZED
ALUMINUM PLANKS W/ MATCHING END CAPS

FURNITURE LEISURE INC

OUR LIST OF WEB STORES

www.FurnitureLeisure.com www.PoolFurnitureSupply.com
www.PicnicFurniture.com www.PicnicTableSupplier.com
www.ParkTables.com www.UBrace.com

1.800.213.2401

MODEL	62BGA		WT.	133 lbs.
DRAWN BY	LCB	DATE	9/98	SCALE
				NONE