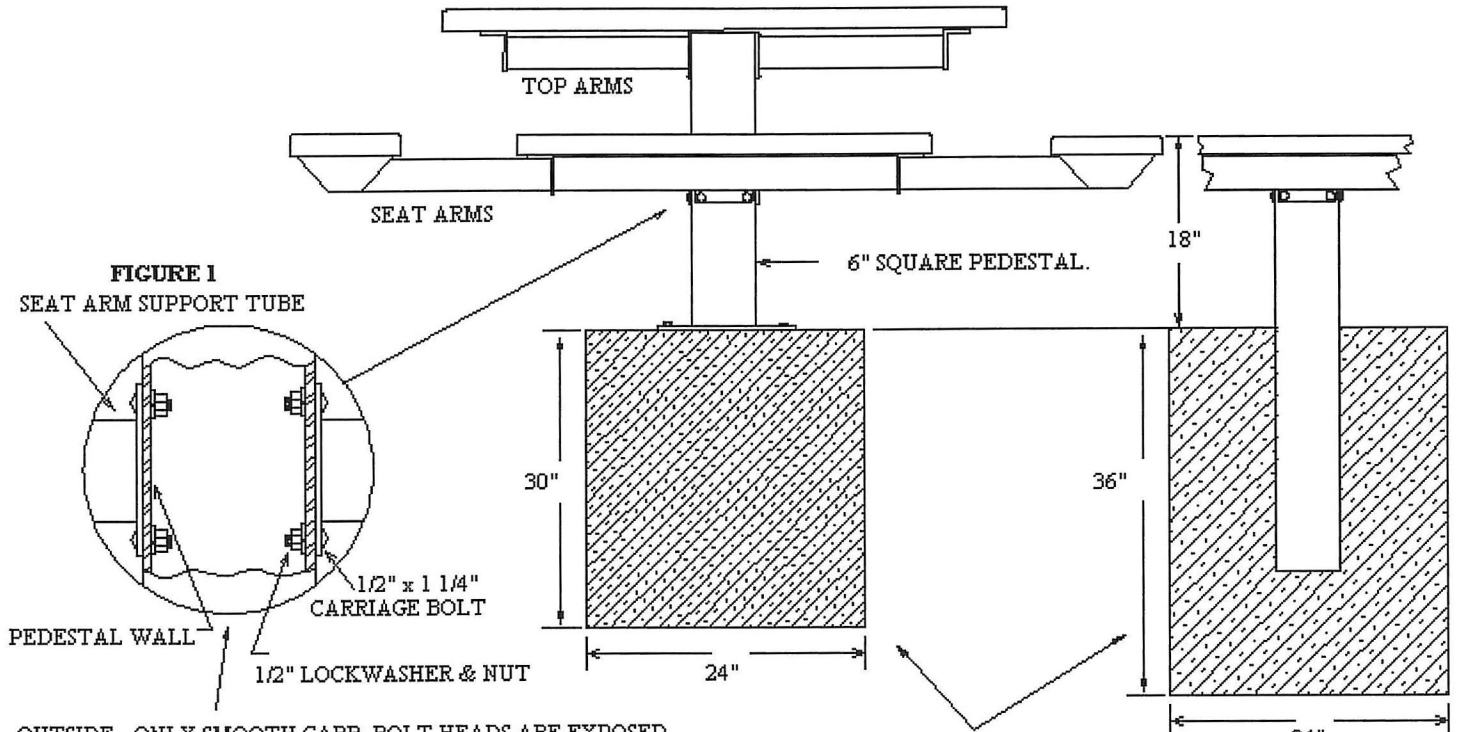


MODEL #: 4SPTGVP

ASSEMBLY DRAWING

1. THE PEDESTAL SHOULD BE SECURED TO THE CONCRETE. NOTICE THE DISTANCE FROM THE SEAT TO THE GROUND.
2. ATTACH THE SEAT ARMS TO THE PEDESTAL. SEE FIG. 1 BELOW.
3. ATTACH THE TOP ARMS TO THE TOP OF THE PEDESTAL.
4. NOW ATTACH THE SEAT AND TOP PLANKING. SEE FIG. 2 BELOW FOR HARDWARE.



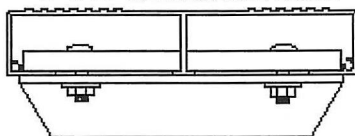
OUTSIDE - ONLY SMOOTH CARR. BOLT HEADS ARE EXPOSED.
THE LOCKWASHERS & NUTS ARE ON THE INSIDE OF THE PEDESTAL
SO WHEN THE TABLE IS FULLY ASSEMBLED THEY ARE NOT ACCESSIBLE.

THE SIZE OF THE CONCRETE IS ONLY A SUGGESTION.
YOUR LOCAL SOIL CONDITIONS SHOULD DETERMINE
WHAT IS NECESSARY TO ENSURE STABLE MOUNTING.

SM IN THE MODEL# DESIGNATES SURFACE MOUNT

FIGURE 2

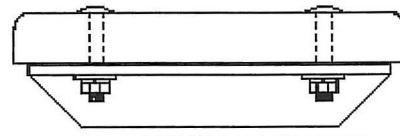
4SPTGA - 4SPTGASM
2" x 10" ALUMINUM PLANK



5/16" x 1 1/4" CARRIAGE BOLT
HOLD DOWN CLIP & FLANGE NUT

4SPTGW - 4SPTGWSM
4SPTGRP - 4SPTGRPSM

2" x 10" SYP TREATED PLANK
2" x 10" RECYCLED PLASTIC PLANK



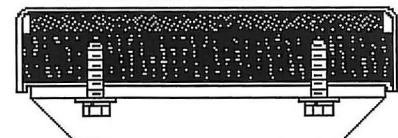
3/8" x 2 1/4" CARRIAGE BOLT
LOCK WASHER & NUT

4SPTGVP - 4SPTGVPSM
VINYL PLASTIC COATED STEEL



3/8" x 1 1/2" HEX BOLT
LOCK WASHER & NUT

4SPTGF - 4SPTGFMSM
FIBERGLASS SEATS & TOPS



3/8" x 2" LAG BOLT
LOCK WASHER & NUT